

## GBPC25005W-G Thru. GBPC5010W-G Series

Reverse Voltage: 50 to 1000V

Forward Current: 25/35/50A

RoHS Device

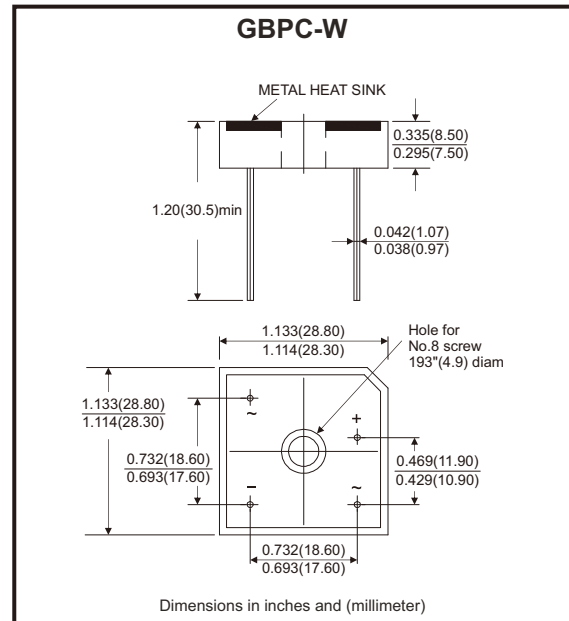


### Features

- Surge overload -350~450 Amperes peak.
- Low forward voltage drop.
- Electrically isolated base -2000 volts.
- Materials used carries UL recognition.
- UL recognized file # E349301

### Mechanical Data

- Polarity: As marked on body.
- Mounting position: Any.
- Weight: 11.92 grams (approx.).



### Maximum Ratings and Electrical Characteristics

Rating at 25°C ambient temperature unless otherwise specified.  
 Single phase, half wave, 60Hz, resistive or inductive load.  
 For capacitive load, derate current by 20%.

Parameter	Symbol	GBPC_W-G							Unit
		GBPC_W-G	GBPC_W-G	GBPC_W-G	GBPC_W-G	GBPC_W-G	GBPC_W-G	GBPC_W-G	
		25005	2501	2502	2504	2506	2508	2510	
Maximum recurrent peak reverse voltage	$V_{RRM}$	50	100	200	400	600	800	1000	V
Maximum RMS bridge input voltage	$V_{RMS}$	35	70	140	280	420	560	700	V
Maximum DC blocking voltage	$V_{DC}$	50	100	200	400	600	800	1000	V

Parameter	Symbol	GBPC25W	GBPC35W	GBPC50W	Unit
Maximum average forward rectified output current @ $T_c=55^\circ\text{C}$	$I_{(AV)}$	25	35	50	A
Peak forward surge current, 8.3ms single half sine-wave superimposed on rated load	$I_{FSM}$	350	400	450	A
Maximum forward voltage drop per element at 12.5/17.5/25A peak	$V_F$	1.1			V
Maximum reverse current at rated DC blocking voltage per element @ $T_J=25^\circ\text{C}$	$I_R$	10.0			$\mu\text{A}$
Operating temperature range	$T_J$	-55 to +150			$^\circ\text{C}$
Storage temperature range	$T_{STG}$	-55 to +150			$^\circ\text{C}$

## Rating and Characteristics Curves (GBPC25005W-G Thru. GBPC5010W-G Series)

Fig.1 - Maximum Forward Surge Current

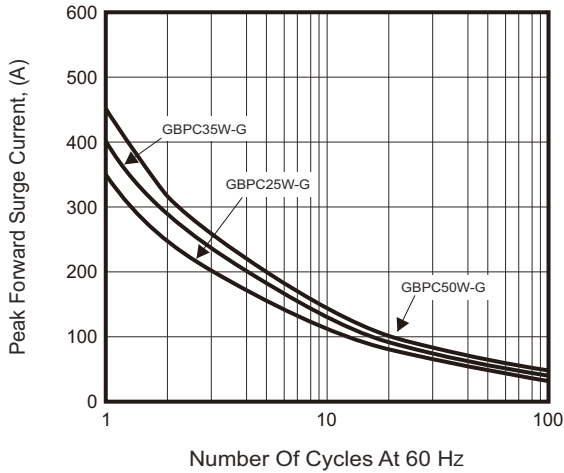


Fig.2 - De-rating Current Output Rectified Current

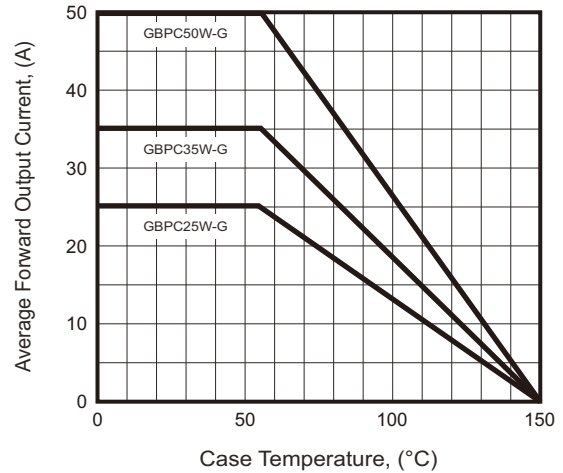


Fig.3 - Typical Forward Characteristics

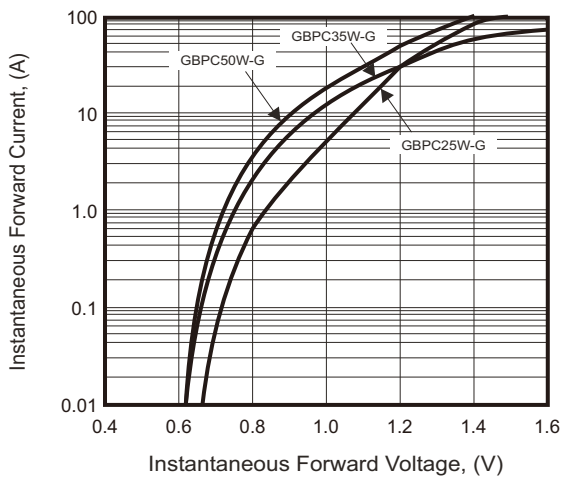
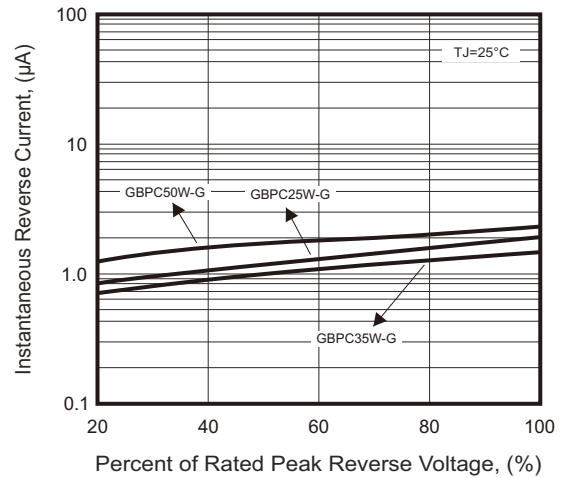
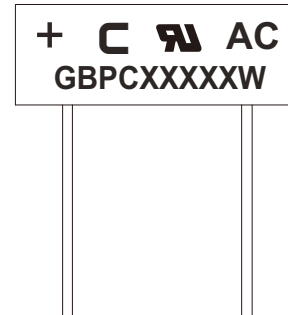


Fig.4 - Typical Reverse Characteristics



## Marking Code

Part Number	Marking code
GBPC25005W-G GBPC35005W-G GBPC50005W-G	GBPC25005W GBPC35005W GBPC50005W
GBPC2501W-G GBPC3501W-G GBPC5001W-G	GBPC2501W GBPC3501W GBPC5001W
GBPC2502W-G GBPC3502W-G GBPC5002W-G	GBPC2502W GBPC3502W GBPC5002W
GBPC2504W-G GBPC3504W-G GBPC5004W-G	GBPC2504W GBPC3504W GBPC5004W
GBPC2506W-G GBPC3506W-G GBPC5006W-G	GBPC2506W GBPC3506W GBPC5006W
GBPC2508W-G GBPC3508W-G GBPC5008W-G	GBPC2508W GBPC3508W GBPC5008W
GBPC2510W-G GBPC3510W-G GBPC5010W-G	GBPC2510W GBPC3510W GBPC5010W



XXXXX / XXXX = Product type marking code

C = Comchip Logo

## Standard Packaging

Case Type	TRAY PACK	
	TRAY (pcs)	CARTON (pcs)
GBPC-W	100	500