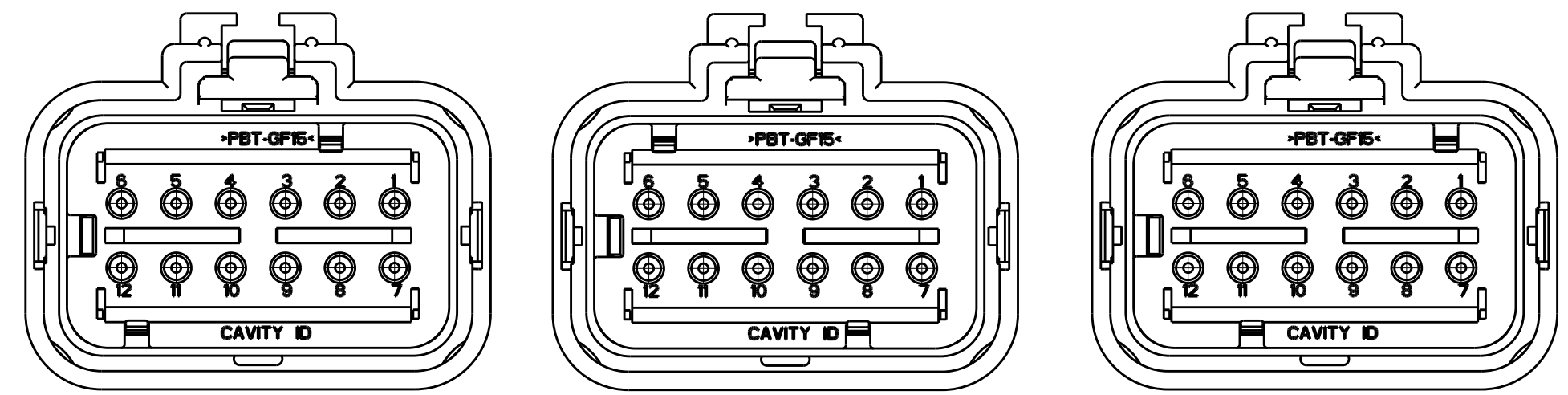


THIS DRAWING IS UNPUBLISHED. RELEASED FOR PUBLICATION 20
 COPYRIGHT 20 BY - ALL RIGHTS RESERVED.

| REVISIONS | | | | | |
|-----------|-----|---------------------------|-----------|-----|------|
| P | LTR | DESCRIPTION | DATE | DWN | APVD |
| | D1 | REVISED PER ECO-11-005294 | 30APR2011 | RK | HMR |
| | E | REVISED PER ECO-13-019231 | 09DEC2013 | DR | RB |

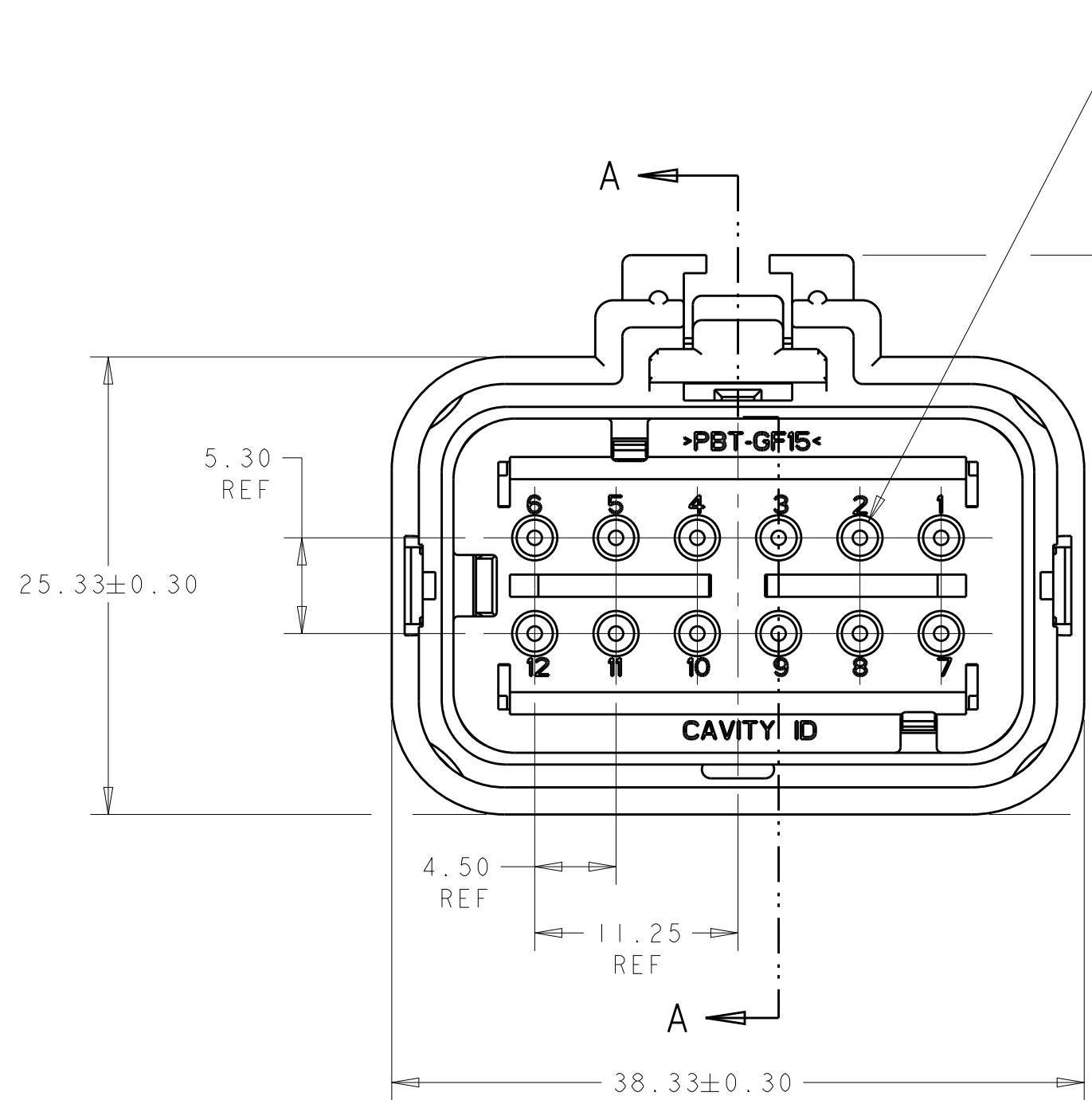


776533-2
SCALE 2:1

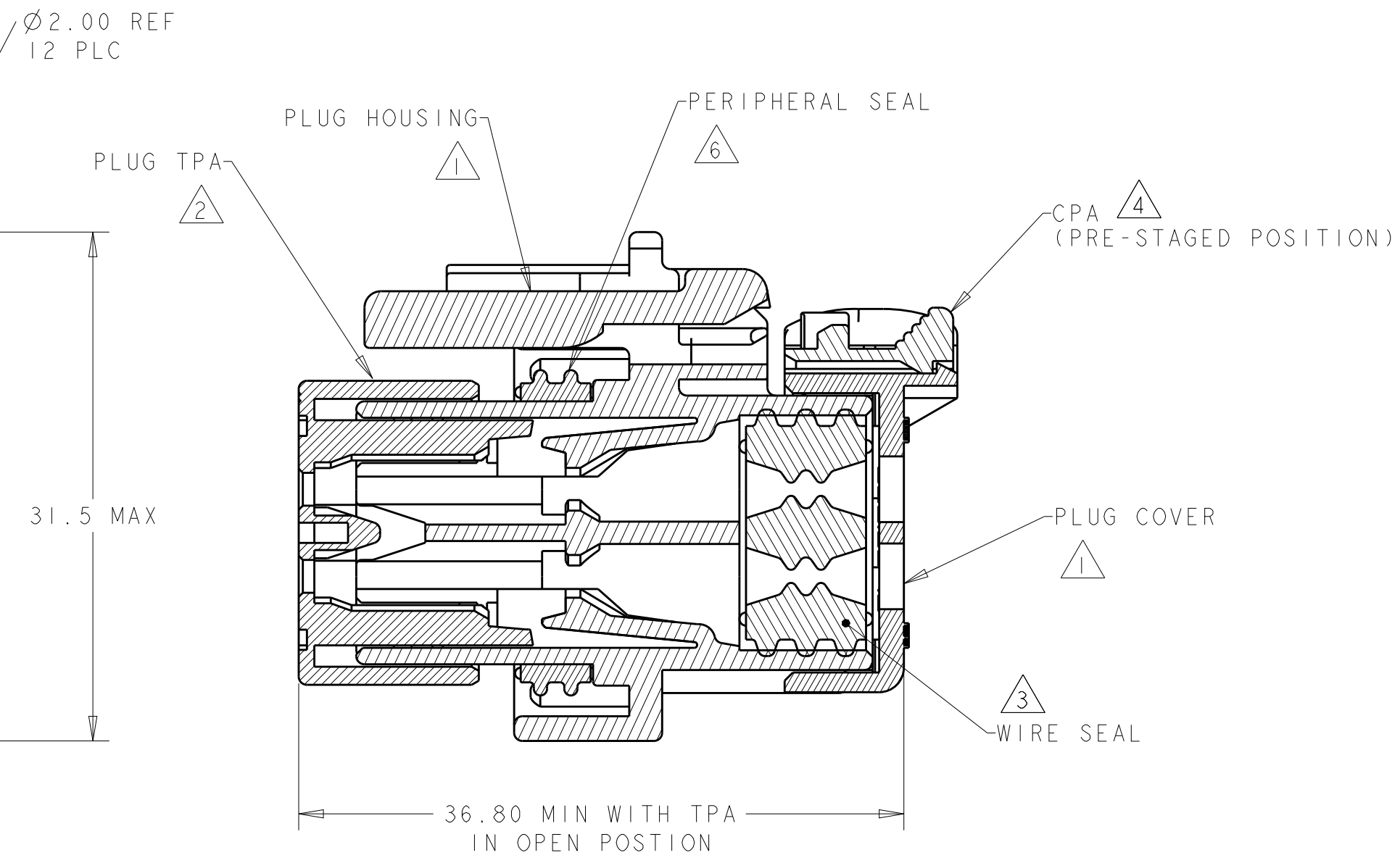
776533-3
SCALE 2:1

776533-4
SCALE 2:1

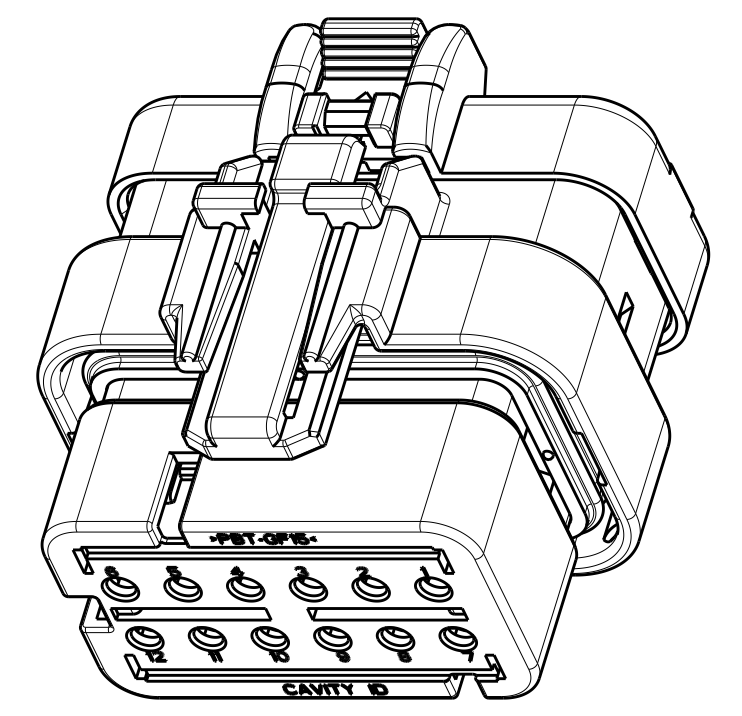
- 1 MATERIAL: 15% GLASS FILLED THERMOPLASTIC
COLOR: BLACK
- 2 MATERIAL: 15% GLASS FILLED THERMOPLASTIC
COLOR: (SEE TABLE)
- 3 MATERIAL: SILICONE
COLOR: RUST
- 4 MATERIAL: 15% GLASS FILLED THERMOPLASTIC
COLOR: RED
- 5. RECOMMENDED WIRE DIAMETER RANGE IS 1.30 TO 2.54mm
- 6 MATERIAL: SILICONE
COLOR: TAN



776533-1 SHOWN



SECTION A-A



SCALE 2:1

| TPA COLOR | PART NUMBER |
|-----------|-------------|
| GREEN | 776533-4 |
| YELLOW | 776533-3 |
| GRAY | 776533-2 |
| RED | 776533-1 |

| | | | | |
|--|--|----------------------------------|---|--------------------|
| THIS DRAWING IS A CONTROLLED DOCUMENT. | | DWN W. HOELSCHER 03SEP2003 | TE Connectivity | |
| DIMENSIONS: mm | | CHK J. PATTERSON 03SEP2003 | | |
| TOLERANCES UNLESS OTHERWISE SPECIFIED: | | APVD D. KLEIN 03SEP2003 | NAME PLUG ASSEMBLY, 12 POSITION, 2 ROW, AMPSEAL 16 CONNECTOR REDUCED DIA WIRE SEAL | |
| 0 PLC ± | | PRODUCT SPEC 108-2184 | SIZE A2 | CAGE CODE - |
| 1 PLC ± | | APPLICATION SPEC 114-13065 | DRAWING NO G-776533 | RESTRICTED TO - |
| 2 PLC ± | | WEIGHT 20 ± 1g | SCALE 3:1 | SHEET 1 |
| 3 PLC ± | | Customer Drawing | OF 1 | REV E |
| 4 PLC ± | | | | |
| ANGLES ± | | | | |
| FINISH - | | | | |