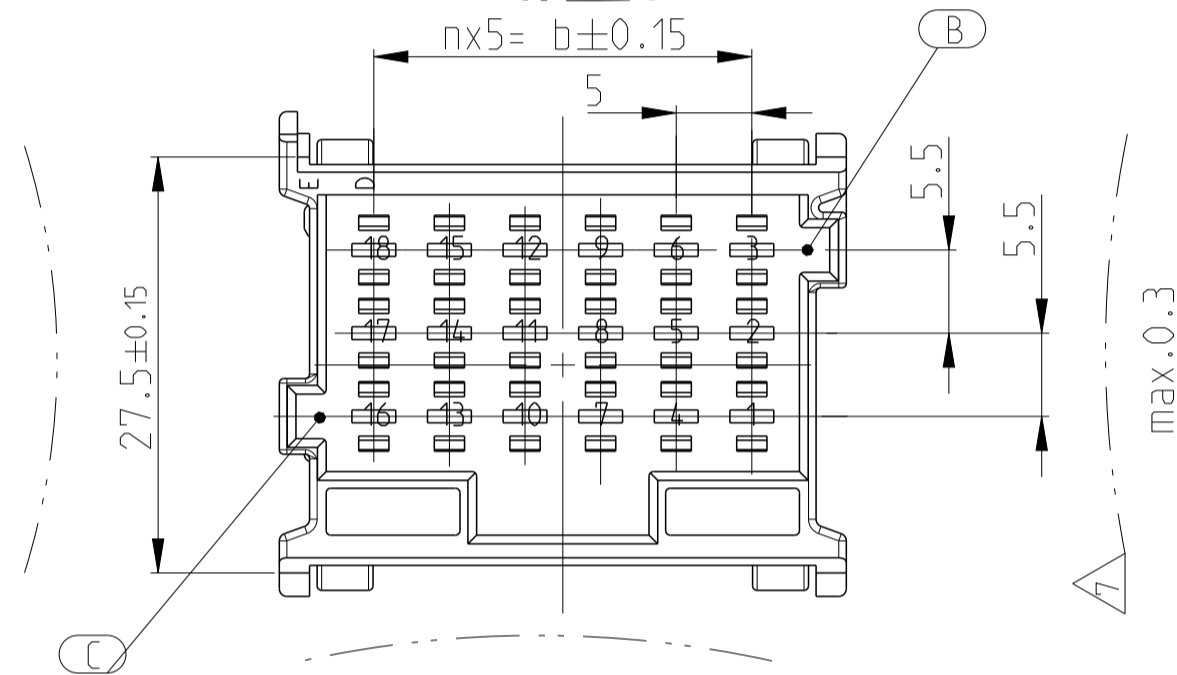
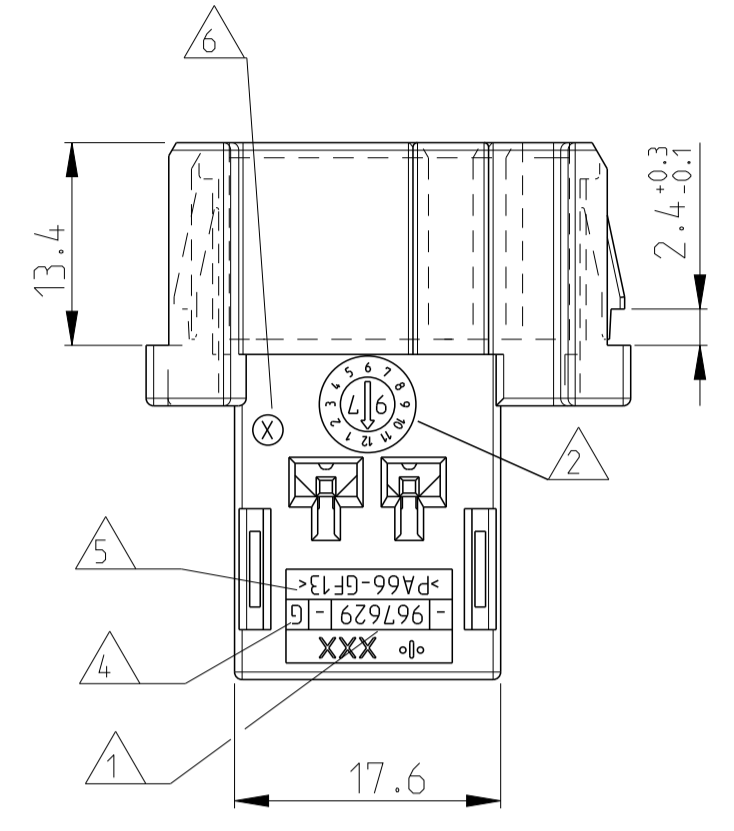
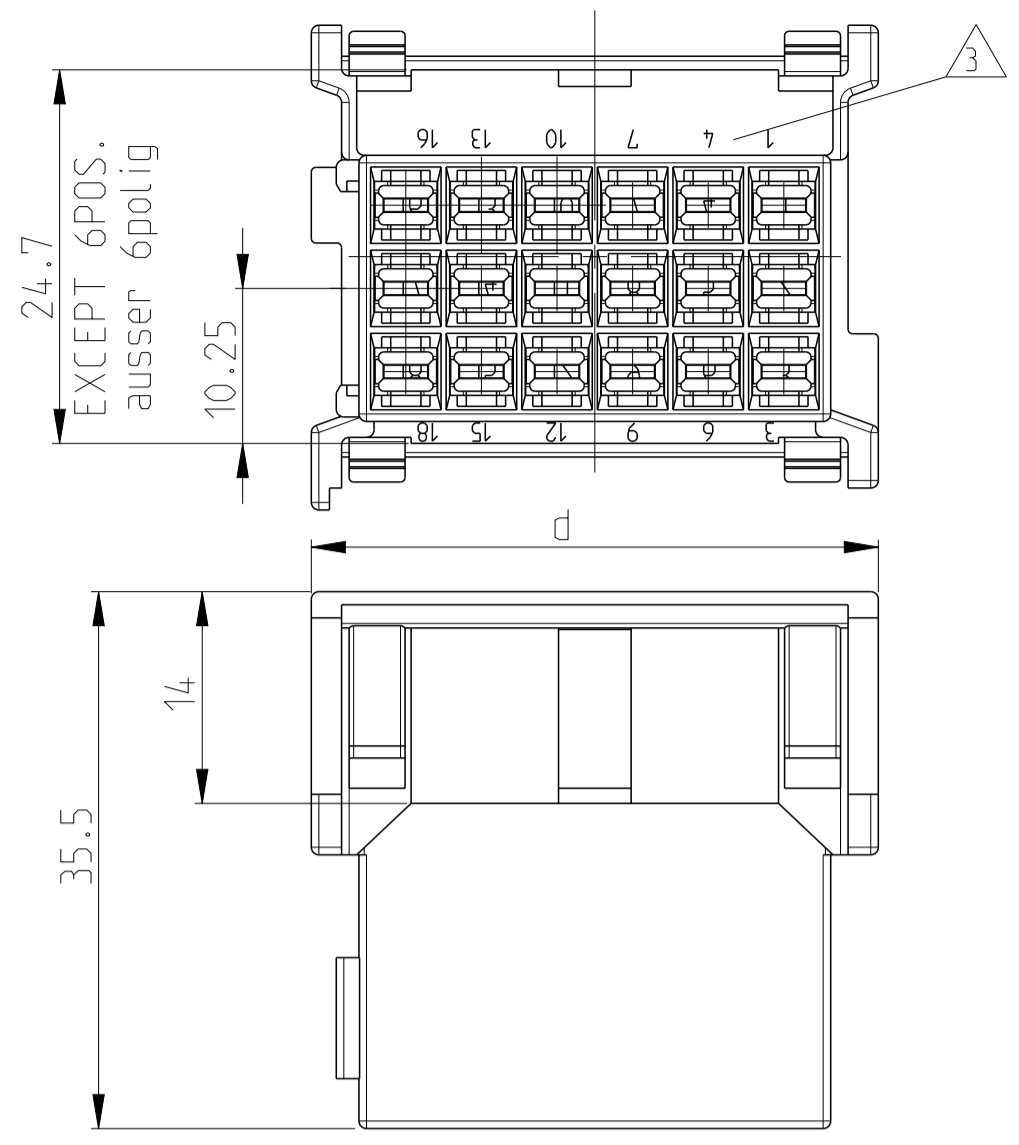


| REVISIONS |     |   |           |               |
|-----------|-----|---|-----------|---------------|
| REV.      | LTN | DESCRIPTION   | DATE      | OWN APVD      |
| C6        |     | View updated: New variant 1-967629-0 added              | 18JUN2012 | Mahnke Krauss |
| C7        |     | Location code changed                                   | 30JUL2013 | Ho. Krauss    |
| D         |     | Changed tab headers material from PA66-GF13 to PBT-GF15 | 2FEB2019  | JJH GB        |
| E         |     | Changed tab headers material from PBT-GF15 to PA66-GF13 | 13NOV2019 | GB SZG        |



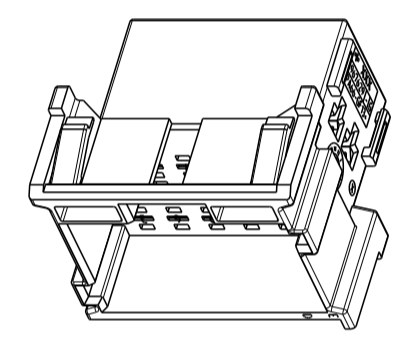
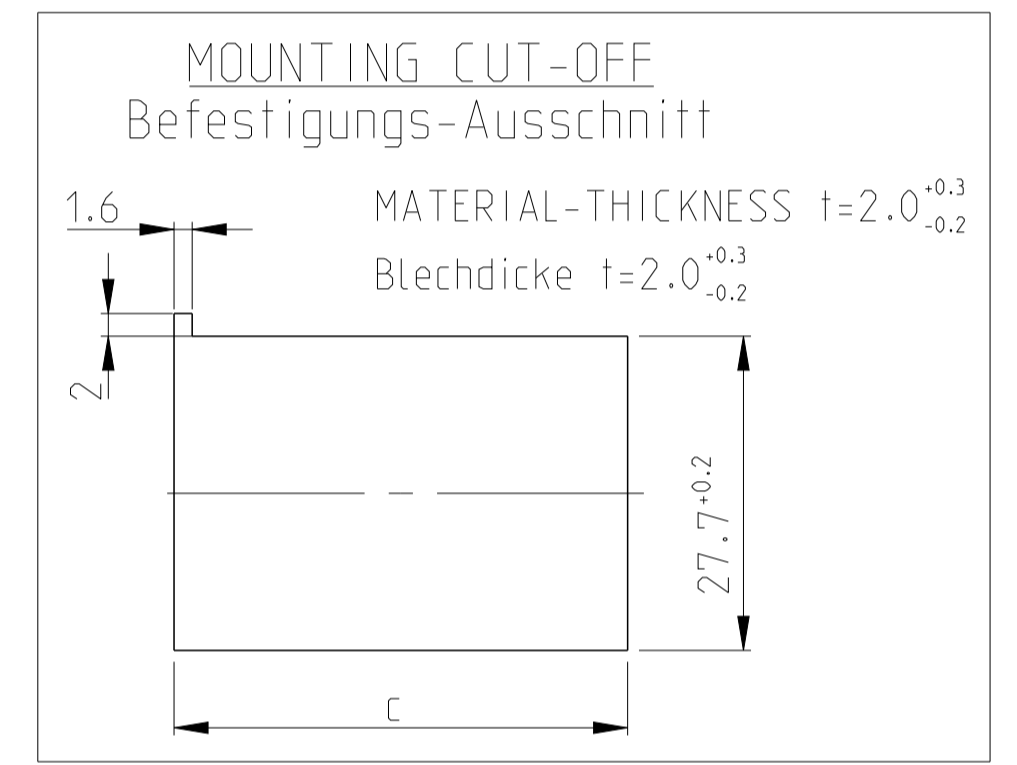
EXCEPT 6POS. ausser 6polig  
 CODING A (GROOVES B-C) AS SHOWN  
 (1-967629- ...) Kodierung A (Nuten B-C) wie gezeichnet

1

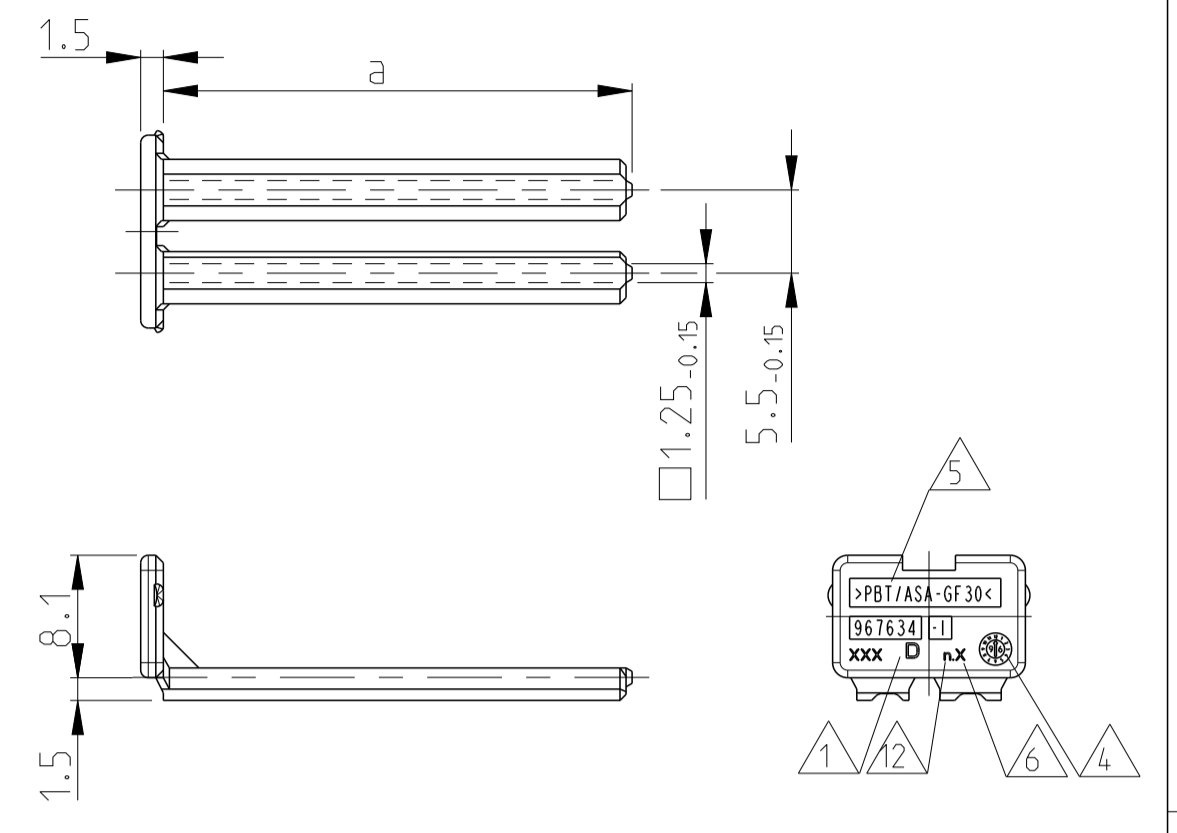
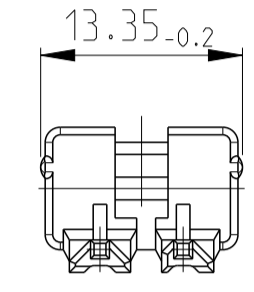
2

| Weight | n | b <sub>±0.2</sub> | c <sup>max</sup> | d <sub>±0.3</sub> | POSITIONS<br>Polzahl | a <sub>±0.5</sub> | WEIGHT<br>Gewicht |
|--------|---|-------------------|------------------|-------------------|----------------------|-------------------|-------------------|
| 10.7g  | 6 | 30                | 42.8             | 42.5              | 21                   | 36                | 0.7g              |
| 9.4g   | 5 | 25                | 37.8             | 37.5              | 18                   | 31                | 0.65g             |
| 8.3g   | 4 | 20                | 32.8             | 32.5              | 15                   | 26                | 0.55g             |
| 6.9g   | 3 | 15                | 27.8             | 27.5              | 12                   | 21                | 0.5g              |
| 5.8g   | 2 | 10                | 22.8             | 22.5              | 9                    | 16                | 0.4g              |
| 4.5g   | 1 | 5                 | 17.8             | 17.5              | 6                    | 11                | 0.35g             |

CODING A: CAVITY NUMBER. (CAVITIES ONLY SYMBOL.)  
 Kodierung A: Kammerbezeichnung. (Kammern nur symbol. dargest.)



3D-MODEL (18POS)  
 1:1



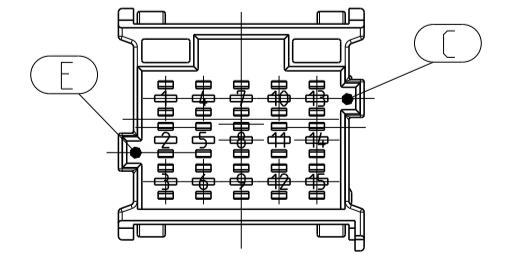
967634-1 AS SHOWN  
 wie gezeichnet

- 1 ACTIVE COMPANY LOGO AND SINGLE PART NUMBER  
Aktuelles Firmen-Logo und Bestell-Nr. Einzelteil
- 2 PRODUCTION-DATE  
Produktionsdatum
- 3 CAVITY-MARKING  
Kammerbezeichnung
- 4 THE REVISION STATUS OF THE MOULD  
Aenderungsstand des Werkzeuges
- 5 MATERIAL-MARKING ACC. TO Werkstoffkennzeichnung nach VDA 260
- 6 MOLD CAVITY-MARKING  
Nestmarkierung
- 7 WARPAGE TO ... PERMITTED  
Verzug bis ... zulaessig
- 8 a: DIMENSION RESP. WEIGHT SECONDARY LOCKING DEVICE  
a: Mass bzw. Gewicht der zweiten Kontaktsicherung
- 9 PACKAGING: LOOSE PIECE IN CORRUGATED BOX FOR BOTH PARTS (CONDITIONED HOUSING IN PLASTIC BAG)  
Verpackung: Beide Teile werden lose im Karton geliefert (konditionierte Gehaeuse in Kunststoff-Beutel)
- 10 CAVITIES MATING WITH TAB, 2.8mm (WITHOUT SINGLE WIRE SEAL)  
MAX. WIRE SIZE 2.5mm² FLR - SEE DRAWING:  
Kontaktkammern passend fuer Flachstecker 2.8mm (ohne Einzel-Dichtungs-System)  
max. Drahtgrosessenbereich 2.5mm² FLR - siehe Zeichnung:  
TE-No.: 1355052
- 11 MALFUNCTION CAUSED BY LACQUER IS NOT COVERED BY TE WARRANTY  
Funktionsbeeintrachtigung durch Lackieren liegt nicht im Einfluss und Gewährleistungsumfang von TE
- 12 TOOL-NUMBERING  
Werkzeugnummerierung

| SECONDARY LOCKING DEVICE<br>zweite Kontaktsicherung |   |   |                      |           |                                |                      |   |            |                      |                        |   |            |   |                    | TAB HOUSING / Flachstecker-Gehaeuse |   |                                |            |   |                                |            |   |                                |   |                                     |                                |            |   |                                |            |   |                                |            |    |                                |   |    |            |
|---|---|---|----------------------|-----------|--------------------------------|----------------------|---|------------|----------------------|------------------------|---|------------|---|--------------------|-------------------------------------|---|--------------------------------|------------|---|--------------------------------|------------|---|--------------------------------|---|-------------------------------------|--------------------------------|------------|---|--------------------------------|------------|---|--------------------------------|------------|----|--------------------------------|---|----|------------|
| CODING / Kodierung D                                |   |   | CODING / Kodierung C |           |                                | CODING / Kodierung B |   |            | CODING / Kodierung A |                        |   |            |   |                    |                                     |   |                                |            |   |                                |            |   |                                | MECHANICAL CODING: mechanische Kodierung: |                                     |                                |            |   |                                |            |   |                                |            |    |                                |   |    |            |
| RIBS / Nuten: C-E                                   |   |   | RIBS / Nuten: B-D    |           |                                | RIBS / Nuten: A-C    |   |            | RIBS / Nuten: B-C    |                        |   |            |   |                    |                                     |   |                                |            |   |                                |            |   |                                |   |                                     |                                |            |   |                                |            |   |                                |            |    |                                |   |    |            |
| 967635-1  | D | 2 | 21                   | POS. pol. | CLAY BROWN Lehm-braun          | 4-967630-1           | G | 3-967630-1 | G                    | 2-967630-1             | G | -          | - | -                  | 1-967630-6                          | G | GENTIAN BLUE enzian-blau       | 1-967630-5 | G | RAPE YELLOW raps-gelb          | 1-967630-4 | G | YELLOW GREEN gelb-gruen        | 1-967630-3                                | G                                   | TRAFFIC PURPLE verkehrs-purpur | 1-967630-2 | G | SLATE GREY schiefer-grau       | 1-967630-1 | G | CLAY BROWN Lehm-braun          | 1          | 21 | POS. polig                     |   |    |            |
| 967634-1  | D | 2 | 18                   | POS. pol. | SLATE GREY schiefer-grau       | 4-967629-1           | G | 3-967629-1 | G                    | 2-967629-1             | G | -          | - | -                  | 1-967629-6                          | G | CLAY BROWN Lehm-braun          | 1-967629-5 | G | GENTIAN BLUE enzian-blau       | 1-967629-4 | G | RAPE YELLOW raps-gelb          | 1-967629-3                                | G                                   | YELLOW GREEN gelb-gruen        | 1-967629-2 | G | TRAFFIC PURPLE verkehrs-purpur | 1-967629-1 | G | SLATE GREY schiefer-grau       | 1-967629-0 | G  | GRAPHITE BLACK graphit-schwarz | 1 | 18 | POS. polig |
| 967633-1  | D | 2 | 15                   | POS. pol. | TRAFFIC PURPLE verkehrs-purpur | 4-967628-1           | G | 3-967628-1 | G                    | 2-967628-1             | G | -          | - | -                  | 1-967628-6                          | G | SLATE GREY schiefer-grau       | 1-967628-5 | G | CLAY BROWN Lehm-braun          | 1-967628-4 | G | GENTIAN BLUE enzian-blau       | 1-967628-3                                | G                                   | RAPE YELLOW raps-gelb          | 1-967628-2 | G | YELLOW GREEN gelb-gruen        | 1-967628-1 | G | TRAFFIC PURPLE verkehrs-purpur | -          | -  | -                              | 1 | 15 | POS. polig |
| 967632-1  | D | 2 | 12                   | POS. pol. | YELLOW GREEN gelb-gruen        | 4-967627-1           | G | 3-967627-1 | G                    | 2-967627-1             | G | -          | - | -                  | 1-967627-6                          | G | TRAFFIC PURPLE verkehrs-purpur | 1-967627-5 | G | SLATE GREY schiefer-grau       | 1-967627-4 | G | CLAY BROWN Lehm-braun          | 1-967627-3                                | G                                   | GENTIAN BLUE enzian-blau       | 1-967627-2 | G | RAPE YELLOW raps-gelb          | 1-967627-1 | G | YELLOW GREEN gelb-gruen        | -          | -  | -                              | 1 | 12 | POS. polig |
| 967631-1  | D | 2 | 9                    | POS. pol. | RAPE YELLOW raps-gelb          | 4-967626-1           | G | 3-967626-1 | G                    | 2-967626-1             | G | -          | - | -                  | 1-967626-6                          | G | YELLOW GREEN gelb-gruen        | 1-967626-5 | G | TRAFFIC PURPLE verkehrs-purpur | 1-967626-4 | G | SLATE GREY schiefer-grau       | 1-967626-3                                | G                                   | CLAY BROWN Lehm-braun          | 1-967626-2 | G | GENTIAN BLUE enzian-blau       | 1-967626-1 | G | RAPE YELLOW raps-gelb          | -          | -  | -                              | 1 | 9  | POS. polig |
| 968271-1  | D | 2 | 6                    | POS. pol. | GENTIAN BLUE enzian-blau       | 4-965641-1           | G | 3-965641-1 | G                    | 2-965641-1             | G | 1-965641-7 | G | FLAME RED feuerrot | 1-965641-6                          | G | RAPE YELLOW raps-gelb          | 1-965641-5 | G | YELLOW GREEN gelb-gruen        | 1-965641-4 | G | TRAFFIC PURPLE verkehrs-purpur | 1-965641-3                                | G                                   | SLATE GREY schiefer-grau       | 1-965641-2 | G | CLAY BROWN Lehm-braun          | 1-965641-1 | G | GENTIAN BLUE enzian-blau       | -          | -  | -                              | 1 | 6  | POS. polig |
| SECONDARY LOCKING DEVICE zweite Kontaktsicherung    |   |   |                      |           | CLARET VIOLET / borderviolett  |                      |   |            |                      | LIGHT BLUE / lichtblau |   |            |   |                    | NATURAL / natur                     |   |                                |            |   | FLAME RED feuerrot             |            |   |                                |   | TAB HOUSING / Flachstecker-Gehaeuse |                                |            |   |                                |            |   |                                |            |    |                                |   |    |            |

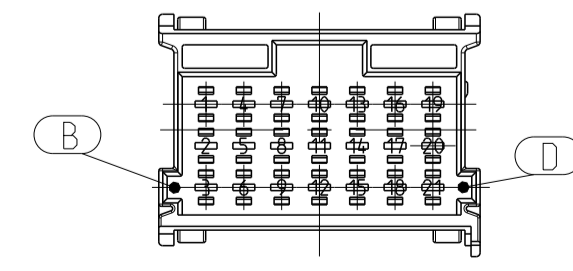
FURTHER MECHANICAL CODINGS: weitere mechanische Kodierungen:

SCALE 1:1



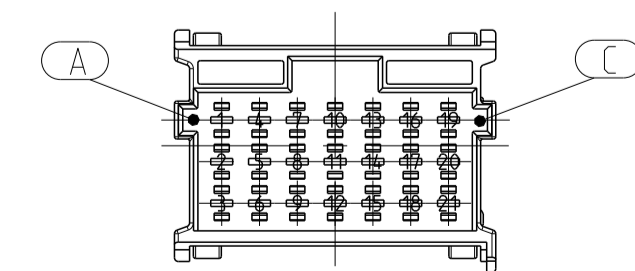
CODING D (GROOVES C-E)  
 Kodierung D (Nuten C-E)

4-967628-1 SHOWN AS EXAMPLE als Beispiel gezeigt



CODING C (GROOVES B-D)  
 Kodierung C (Nuten B-D)

3-967630-1 SHOWN AS EXAMPLE als Beispiel gezeigt



CODING B (GROOVES A-C)  
 Kodierung B (Nuten A-C)

2-967630-1 SHOWN AS EXAMPLE als Beispiel gezeigt

THIS DRAWING IS A CONTROLLED DOCUMENT. OWN: K. Gerlach 15APR1998. CHK: R. Huebner 15APR1998. APVD: J. Hees 15APR1998.

TOLERANCES UNLESS OTHERWISE SPECIFIED: 1. HESS, PRODUCT SPEC. APPLICATION SPEC.

MATERIAL: SEE TABLE. FINISH: SEE TABLE. WEIGHT: SEE TABLE.

Customer Drawing

TE Connectivity

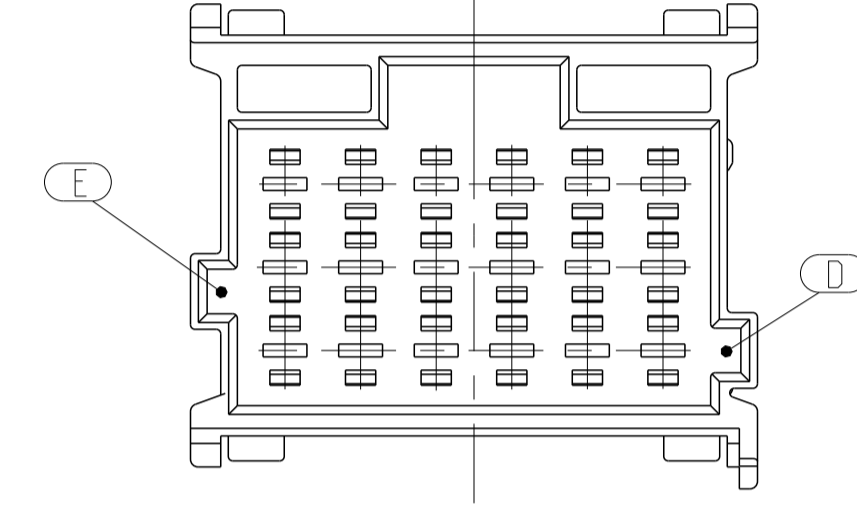
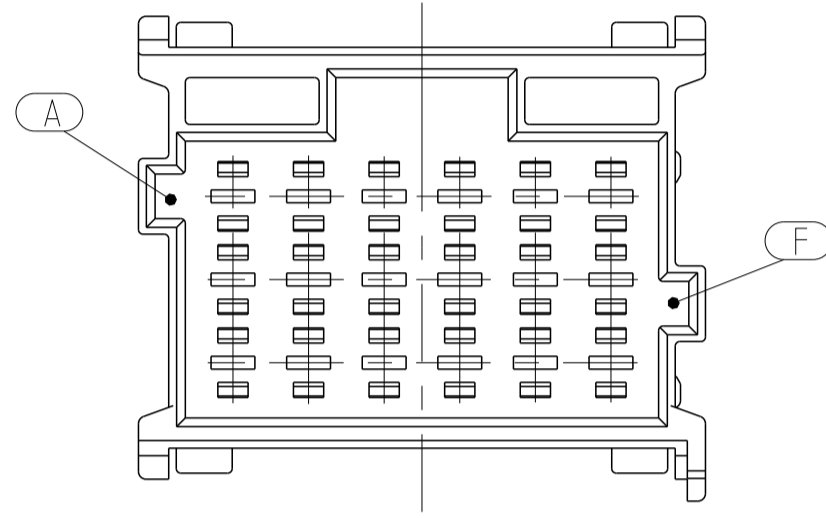
PRODUCT GROUP DRAWING: TAB HOUSING (2.8mm), 6-21POS. AND SECONDARY LOCKING DEVICE. Produkt-Gruppen-Zeichnung fuer: Flachstecker Gehaeuse (2.8mm), 6-21pol. und zweite Kontaktsicherung.

SIZE: A1. CAGE CODE: 00779. DRAWING NO: 1355072. RESTRICTED TO: -

SCALE: 2:1. SHEET: 1 OF 2. REV: E

| REVISIONS |     |             |      |      |
|-----------|-----|-------------|------|------|
| P.        | LTN | DESCRIPTION | DATE | APVD |
| -         | -   | SEE SHEET 1 | -    | -    |
|           |     |             |      |      |
|           |     |             |      |      |

## ADDITIONAL CODINGS / Zusätzliche Kodierungen



| CODING / Kodierung F                             |                                |      |                 | MECHANICAL CODING: mechanische Kodierung: | MATERIAL SPEC. |
|--|--------------------------------|------|-----------------|---|----------------|
| RIBS / Nuten: A-F                                |                                |      |                 |   |                |
|  | 6-967630-1                     | G    |                 | 21 POS. pot.                              | PA66-GF13      |
|  | 6-967629-1                     | G    |                 | 18 POS. pot.                              |                |
|  |                                |      | ORANGE / orange | 15 POS. pot.                              |                |
|  | 6-967627-1                     | G    |                 | 12 POS. pot.                              |                |
|  |                                |      |                 | 9 POS. pot.                               |                |
|  | 6-965641-1                     | G    |                 | 6 POS. pot.                               |                |
| CUSTOMER PART NUMBER<br>Kunden-Einzelteil-Nummer | TE ORDER-NO.<br>TE Bestell-Nr. | REV. |                 | DESCRIPTION<br>Benennung Einzelteil       |                |

| CODING / Kodierung E                             |                                |      |                              | MECHANICAL CODING: mechanische Kodierung: | MATERIAL SPEC. |
|--|--------------------------------|------|------------------------------|---|----------------|
| RIBS / Nuten: E-D                                |                                |      |                              |   |                |
|  | 5-967630-1                     | G    |                              | 21 POS. pot.                              | PA66-GF13      |
|  | 5-967629-1                     | G    |                              | 18 POS. pot.                              |                |
|  |                                |      | EMERALD GREEN / smaragdgruen | 15 POS. pot.                              |                |
|  | 5-967627-1                     | G    |                              | 12 POS. pot.                              |                |
|  |                                |      |                              | 9 POS. pot.                               |                |
|  | 5-965641-1                     | G    |                              | 6 POS. pot.                               |                |
| CUSTOMER PART NUMBER<br>Kunden-Einzelteil-Nummer | TE ORDER-NO.<br>TE Bestell-Nr. | REV. |                              | DESCRIPTION<br>Benennung Einzelteil       |                |

THIS DRAWING IS A CONTROLLED DOCUMENT.

|                     |   |                          |                          |                 |  |       |   |       |   |       |   |   |      |    |           |       |             |         |               |  |  |
|---------------------|---|--------------------------|--------------------------|-----------------|--|-------|---|-------|---|-------|---|---|------|----|-----------|-------|-------------|---------|---------------|--|--|
| DIMENSIONS: mm      | TOLERANCES UNLESS OTHERWISE SPECIFIED: # ISO 2001:2003 h9/k9  | OWN: K.Gerlach 15APR1998 | CHK: R.Huebner 15APR1998 | APVD: 15APR1998 | NAME: PRODUCT GROUP DRAWING: TAB HOUSING (2.8mm). 6-21POS. AND SECONDARY LOCKING DEVICE. Produkt-Gruppen-Zeichnung fuer: Flachstecker Gehaeuse (2.8mm), 6-21pol. und zweite Kontaktsicherung |       |   |       |   |       |   |   |      |    |           |       |             |         |               |  |  |
|                     | <table border="1"> <tr><td>0 PLC</td><td>±</td></tr> <tr><td>1 PLC</td><td>±</td></tr> <tr><td>2 PLC</td><td>±</td></tr> <tr><td>3 PLC</td><td>±</td></tr> <tr><td>4 PLC</td><td>±</td></tr> </table> | 0 PLC                    | ±                        | 1 PLC           | ±  | 2 PLC | ± | 3 PLC | ± | 4 PLC | ± | <table border="1"> <tr><td>SIZE</td><td>A1</td></tr> <tr><td>CAGE CODE</td><td>00779</td></tr> <tr><td>DRAWING NO.</td><td>1355072</td></tr> </table> | SIZE | A1 | CAGE CODE | 00779 | DRAWING NO. | 1355072 | RESTRICTED TO |  |  |
| 0 PLC               | ±   |                          |                          |                 |  |       |   |       |   |       |   |   |      |    |           |       |             |         |               |  |  |
| 1 PLC               | ±   |                          |                          |                 |  |       |   |       |   |       |   |   |      |    |           |       |             |         |               |  |  |
| 2 PLC               | ±   |                          |                          |                 |  |       |   |       |   |       |   |   |      |    |           |       |             |         |               |  |  |
| 3 PLC               | ±   |                          |                          |                 |  |       |   |       |   |       |   |   |      |    |           |       |             |         |               |  |  |
| 4 PLC               | ±   |                          |                          |                 |  |       |   |       |   |       |   |   |      |    |           |       |             |         |               |  |  |
| SIZE                | A1  |                          |                          |                 |  |       |   |       |   |       |   |   |      |    |           |       |             |         |               |  |  |
| CAGE CODE           | 00779   |                          |                          |                 |  |       |   |       |   |       |   |   |      |    |           |       |             |         |               |  |  |
| DRAWING NO.         | 1355072   |                          |                          |                 |  |       |   |       |   |       |   |   |      |    |           |       |             |         |               |  |  |
| MATERIAL: SEE TABLE | FINISH: SEE TABLE   | WEIGHT: SEE TABLE        | Customer Drawing         | SCALE: 2:1      | SHEET 2 OF 2   |       |   |       |   |       |   |   |      |    |           |       |             |         |               |  |  |