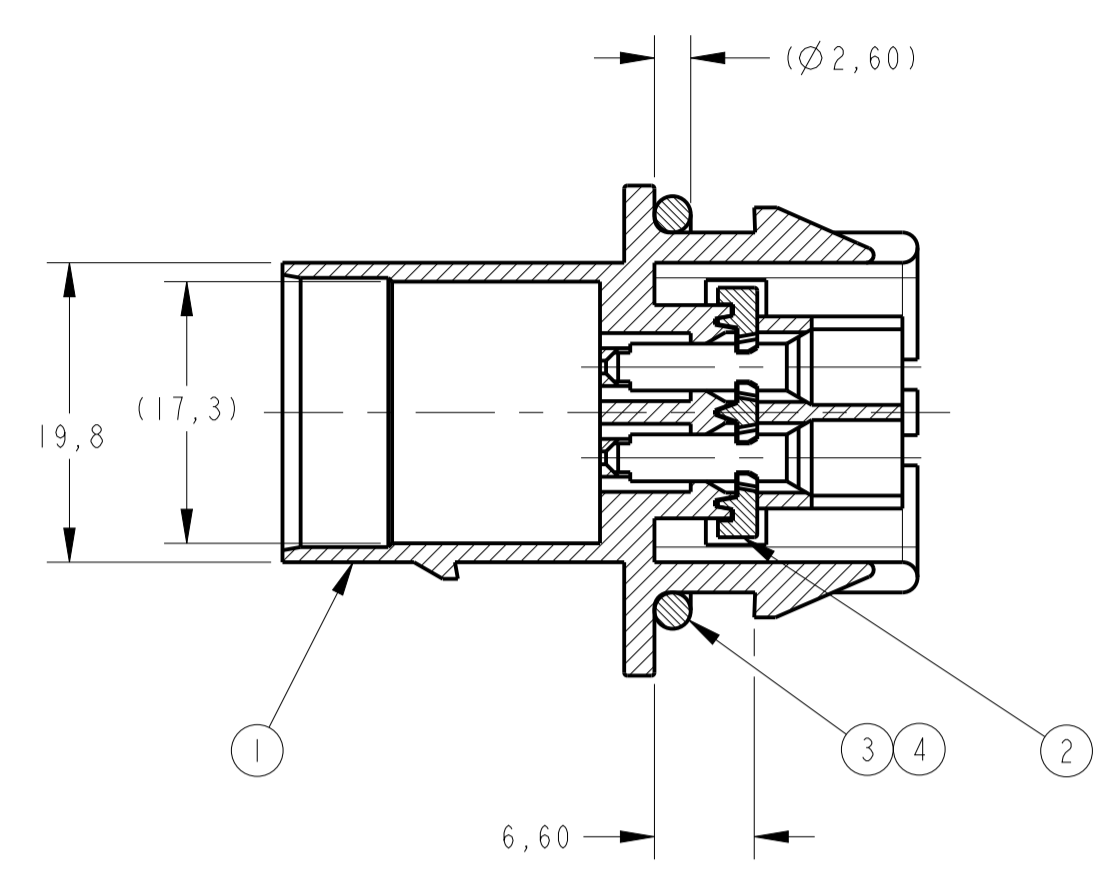
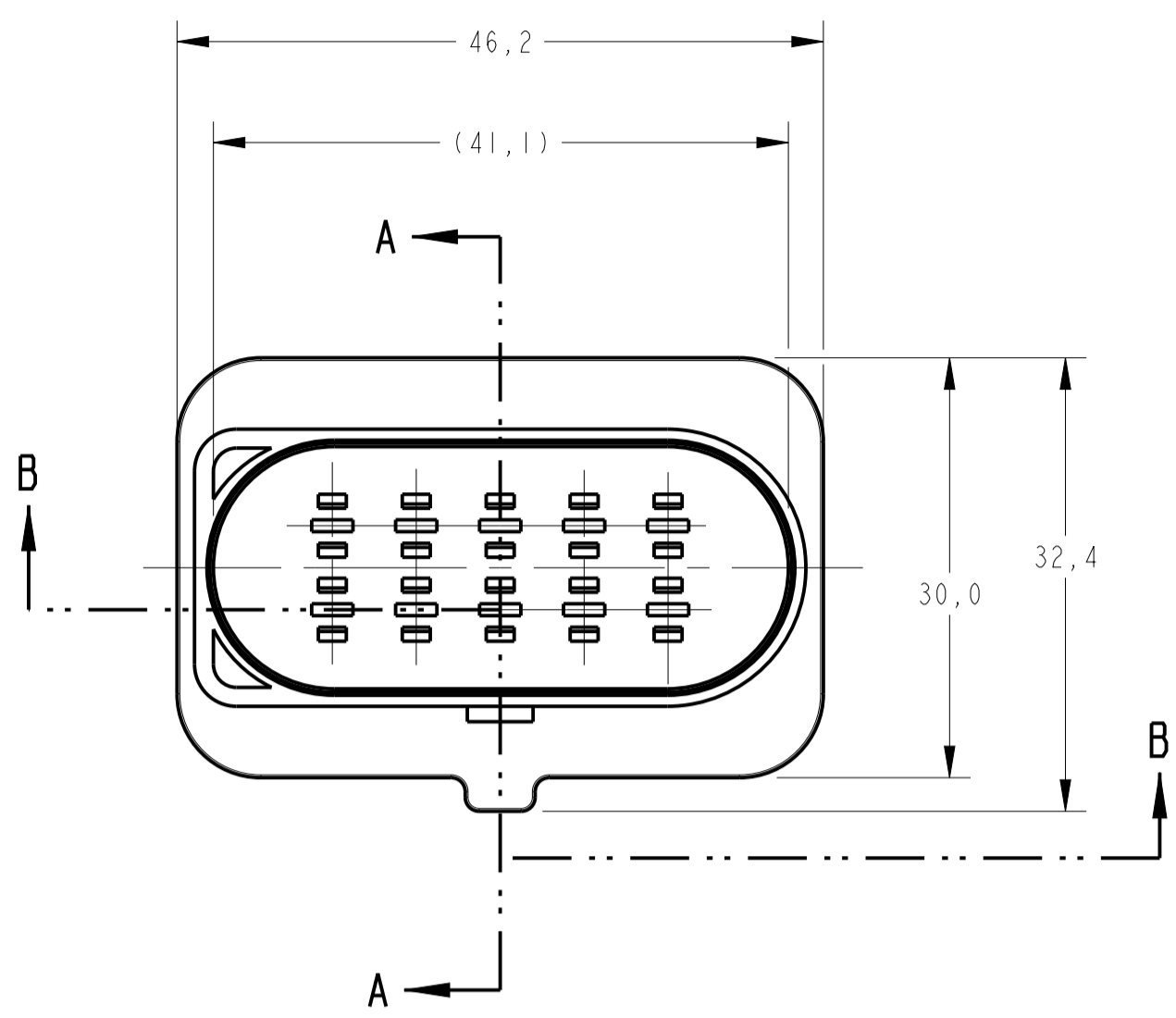
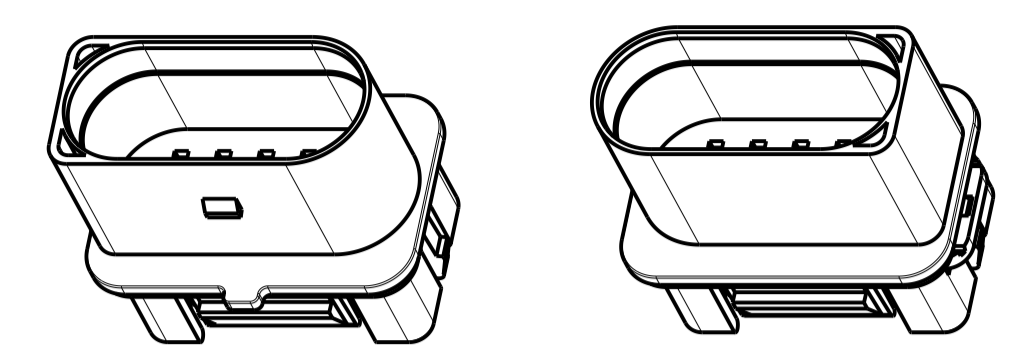
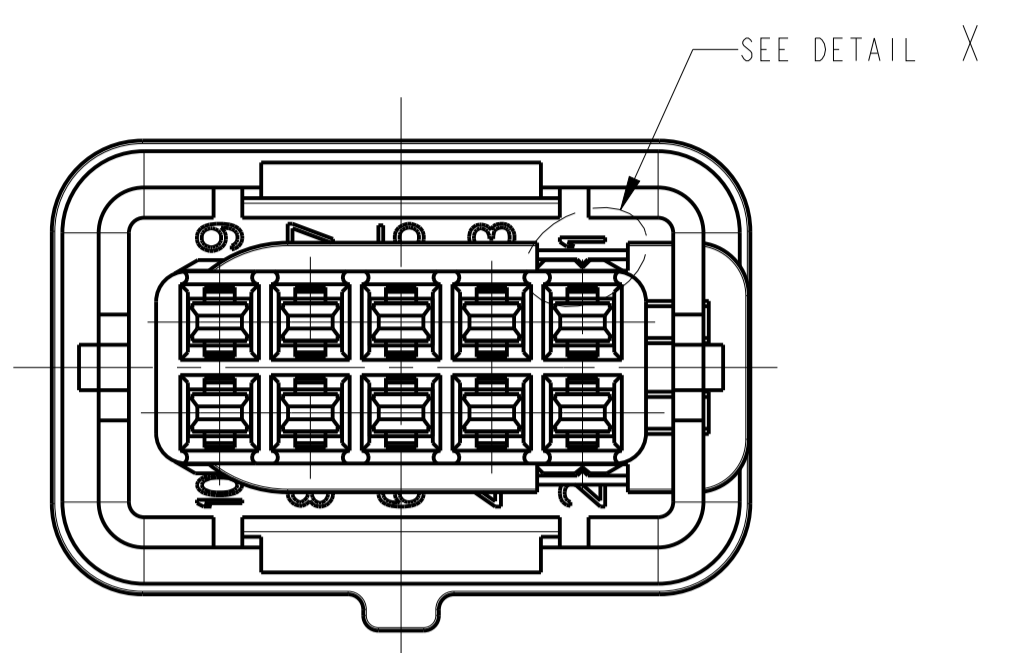


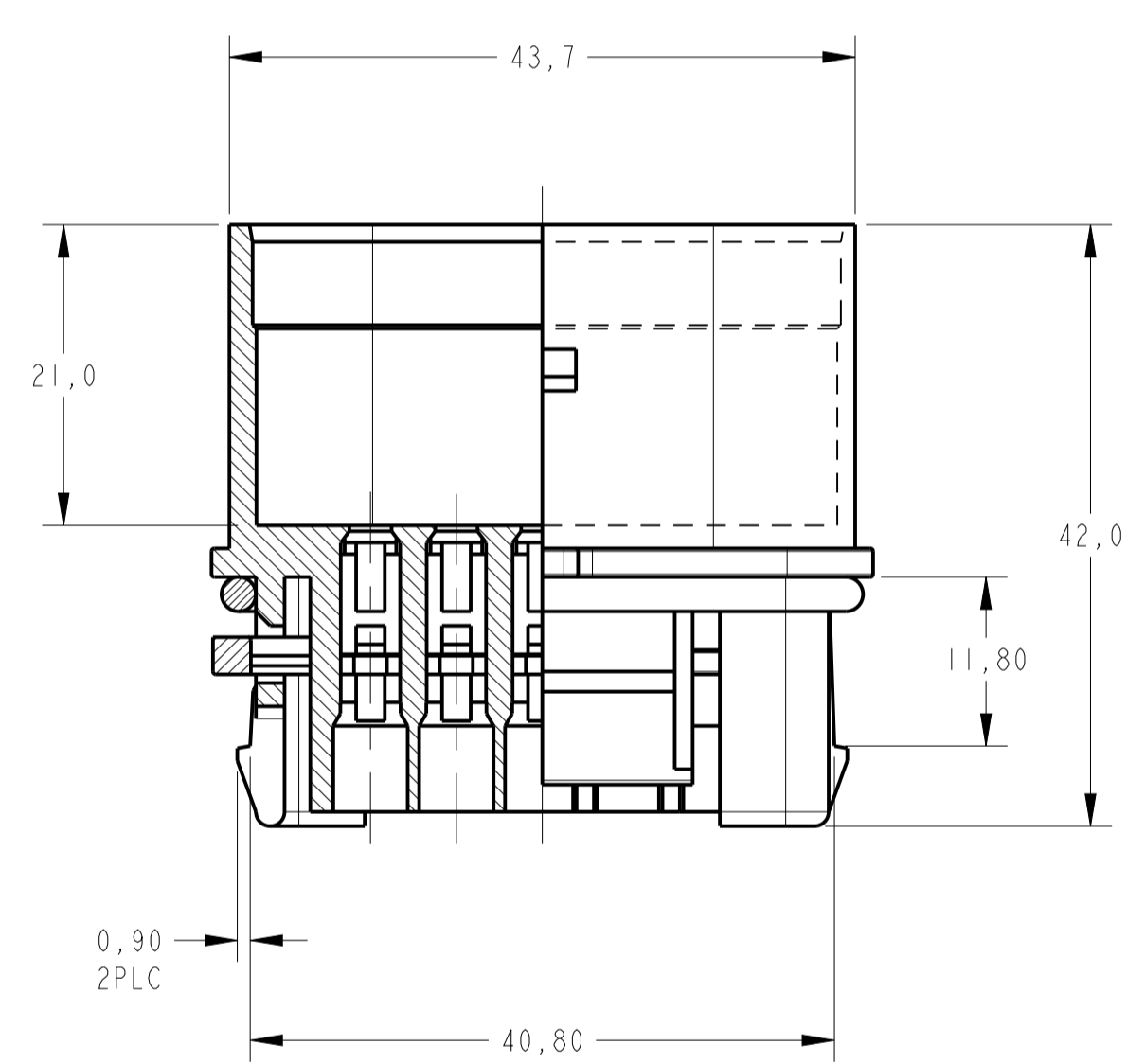
REVISIONS				
P.	LTR.	DESCRIPTION	DATE	DWN. APVD.
E		REVISED DRAWING ECO-19-012537	13AUG2019	PSB DAO
E1		REVISED DRAWING ECO-19-014363	18SEP2019	RKL DAO
E2		REVISED BY ECO-20-001009	20JAN2020	PSB NMS
E3		REVISED BY ECO-21-001834	10FEB2021	PSB NMS



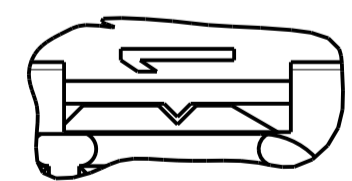
SECTION A-A



PERSPECTIVE VIEWS
 SCALE 1:1



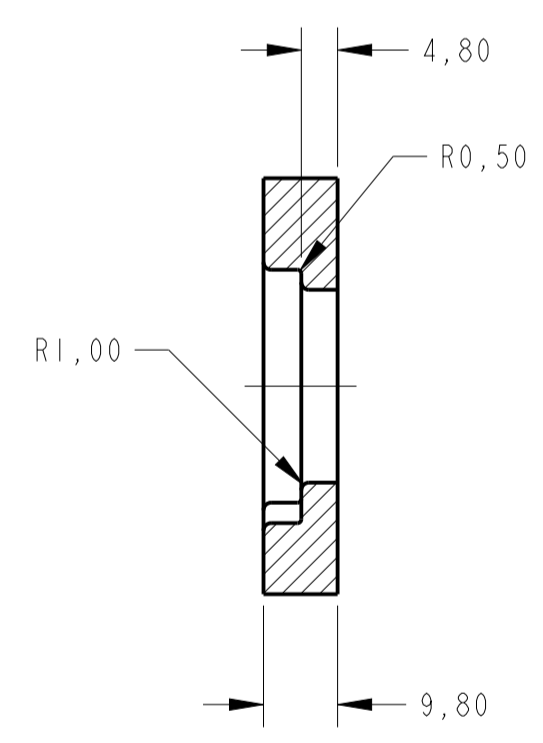
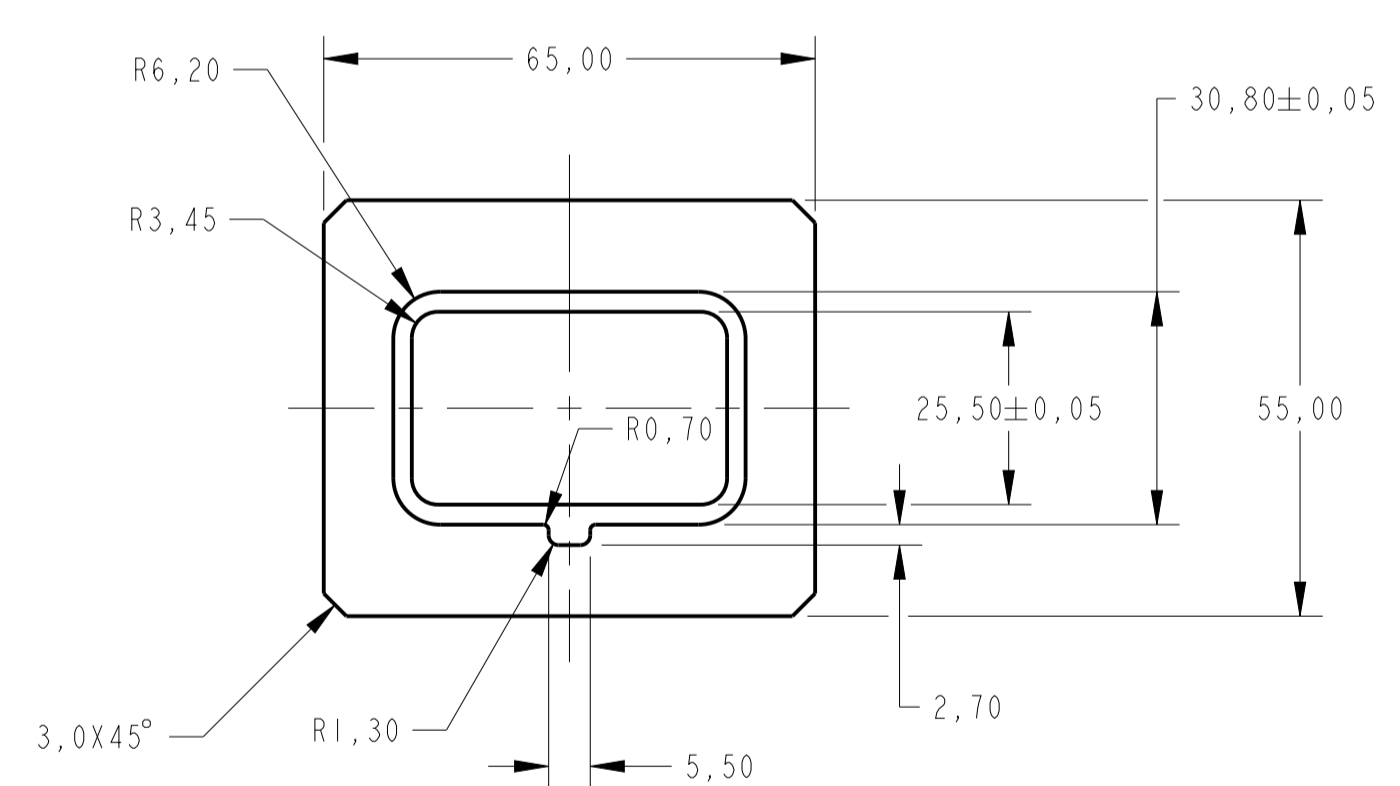
SECTION B-B



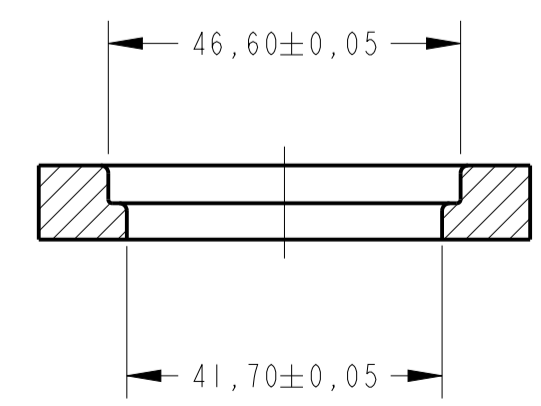
DETAIL X
 SCALE 5:1
 AS PEÇAS SÃO FORNECIDAS
 COMO MOSTRADAS.
 THE PARTS MUST BE
 SUPPLIED AS SHOWN.

INFORMAÇÃO DA CONTRA PEÇA
MATING CONNECTOR INFORMATION

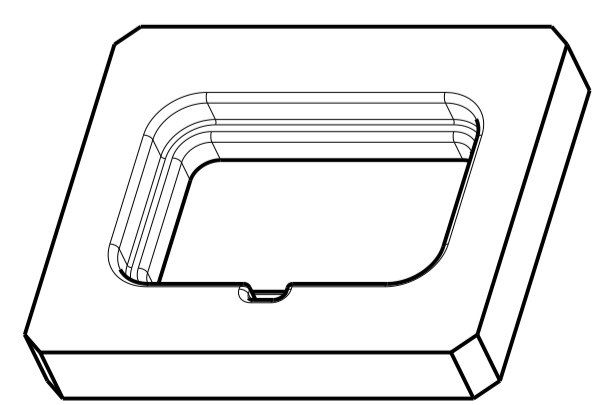
SCALE 1:1



SECTION A-A



SECTION B-B



PERSPECTIVE VIEW
 SCALE 1:1

GRAVAÇÃO	
MARKING	
LOGOTIPO TE	TE LOGO
CÓDIGO PAÍS PRODUTOR	MANUFACTURER COUNTRY CODE
NOMENCLATURA MATERIAL	MATERIAL NOMENCLATURE
NÚMERO COMPONENTE TE	TE COMPONENT NUMBER
NÚMERO CAVIDADE	CAVITY NUMBER
IDENTIFICAÇÃO CIRCUITO	CIRCUIT IDENTIFICATION
NÚMERO PEÇA CLIENTE	CUSTOMER PART NUMBER
REV. + LETRA REV. DES.	REV. + DWG REV. LETTER

- 1 - USAR TERMINAIS CONFORME DESENHO DE CLIENTE 1355364.
- 2 - USADO COM 493577.
- 3 - CONECTOR SELADO DEVERÁ ATENDER O TESTE DE DESEMPENHO DE VEDAÇÃO DE ACORDO COM NORMA USCAR-2 (REVISÃO 6)-ITEM 5.6.6 (SEM ENVELHECIMENTO DE 70h)
- 1 - USED WITH TERMINALS ACC. TO CUSTOMER DRAWING 1355364.
- 2 - USED ON 493577.
- 3 - SEALED CONNECTOR SHALL ATTEND SEAL PERFORMANCE TEST ACCORDING TO USCAR-2 (REVISION 6)-ITEM 5.6.6 (WITHOUT 70h AGING)

REQ. PER ASSY	DESCRIPTION	MATERIAL	FINISH
1	4 ORING	SILICONE	NATURAL
1	3 ORING	NBR	PRETO / BLACK
1	2 SPACER, 10 POSN. J.P.TIMER TAB.	PBT+10% FV/GF	VIOLETA / VIOLET
1	1 HSG., 10 POSN. J.P.TIMER, TAB.	PA66+25GF	PRETO / BLACK
493571			

THIS DRAWING IS A CONTROLLED DOCUMENT.

DIMENSIONS:	TOLERANCES UNLESS OTHERWISE SPECIFIED:	DWN. M. R. BRIZ 10AUG98	CHK. P. L. FARIA 25SEP98	APVD. P. R. SILVA 25MAY98
mm	0 PLC ± 1 PLC ±0,3 2 PLC ± 3 PLC ± 4 PLC ±	PRODUCT SPEC	APPLICATION SPEC	SIZE CAGE CODE DRAWING NO
MATERIAL SEE TABLE	FINISH SEE TABLE	WEIGHT	RESTRICTED TO	SCALE 2:1 SHEET 1 OF 1 REV. E3

Customer Drawing

STE TE Connectivity

HSG. ASSY 10 POSN. JUNIOR POWER TIMER TAB

A1 00779 C=493571