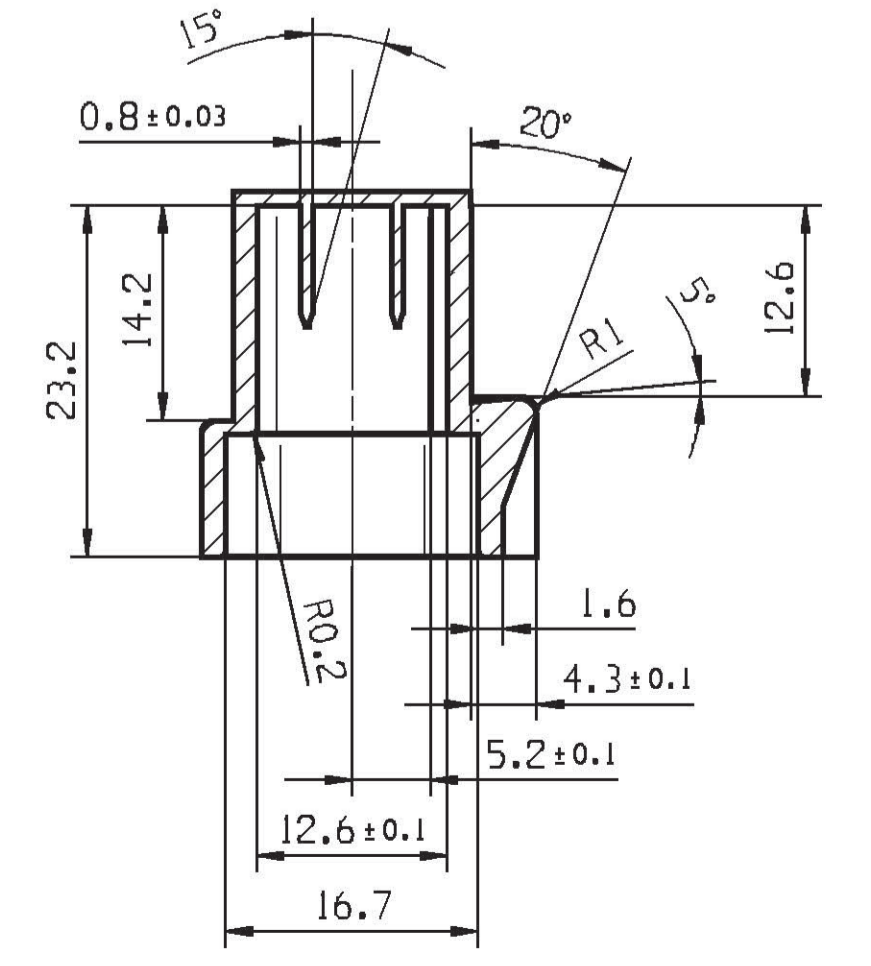
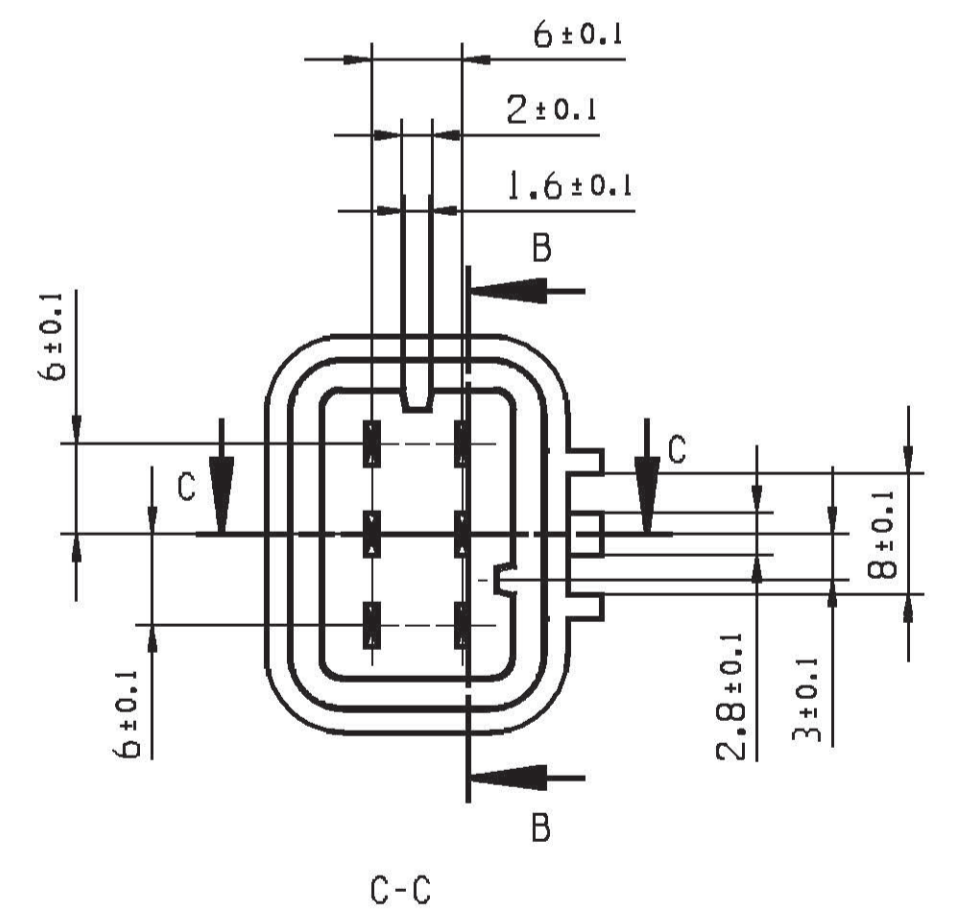
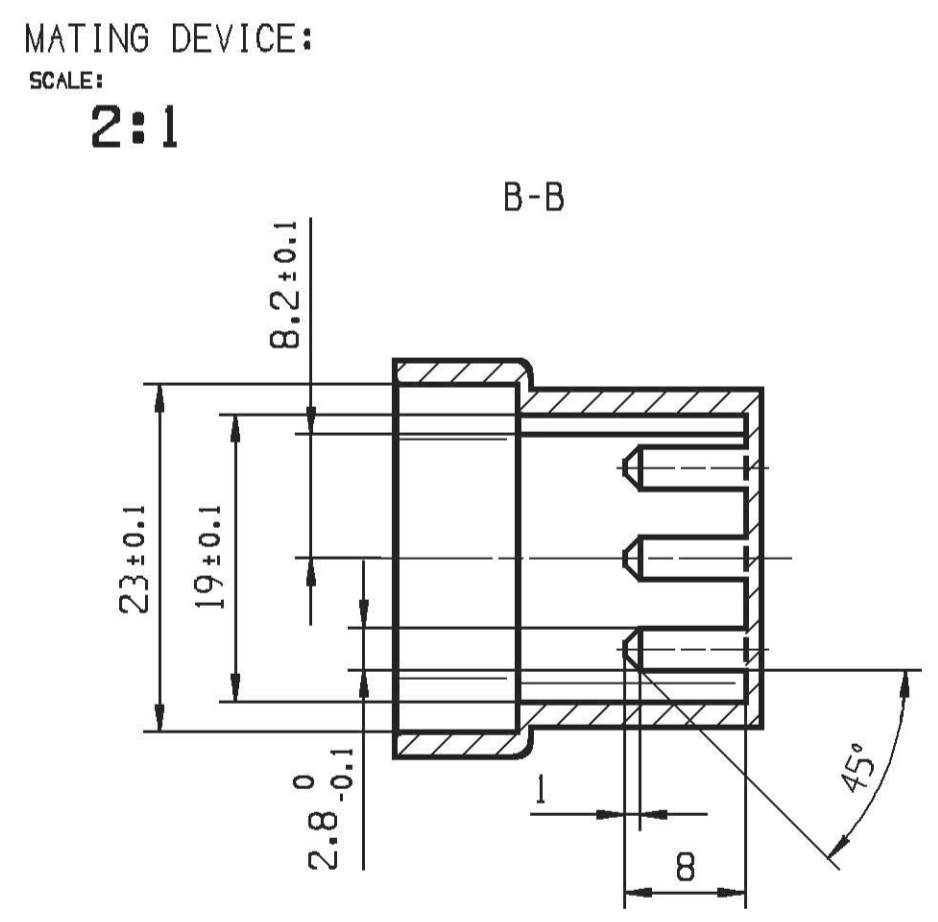
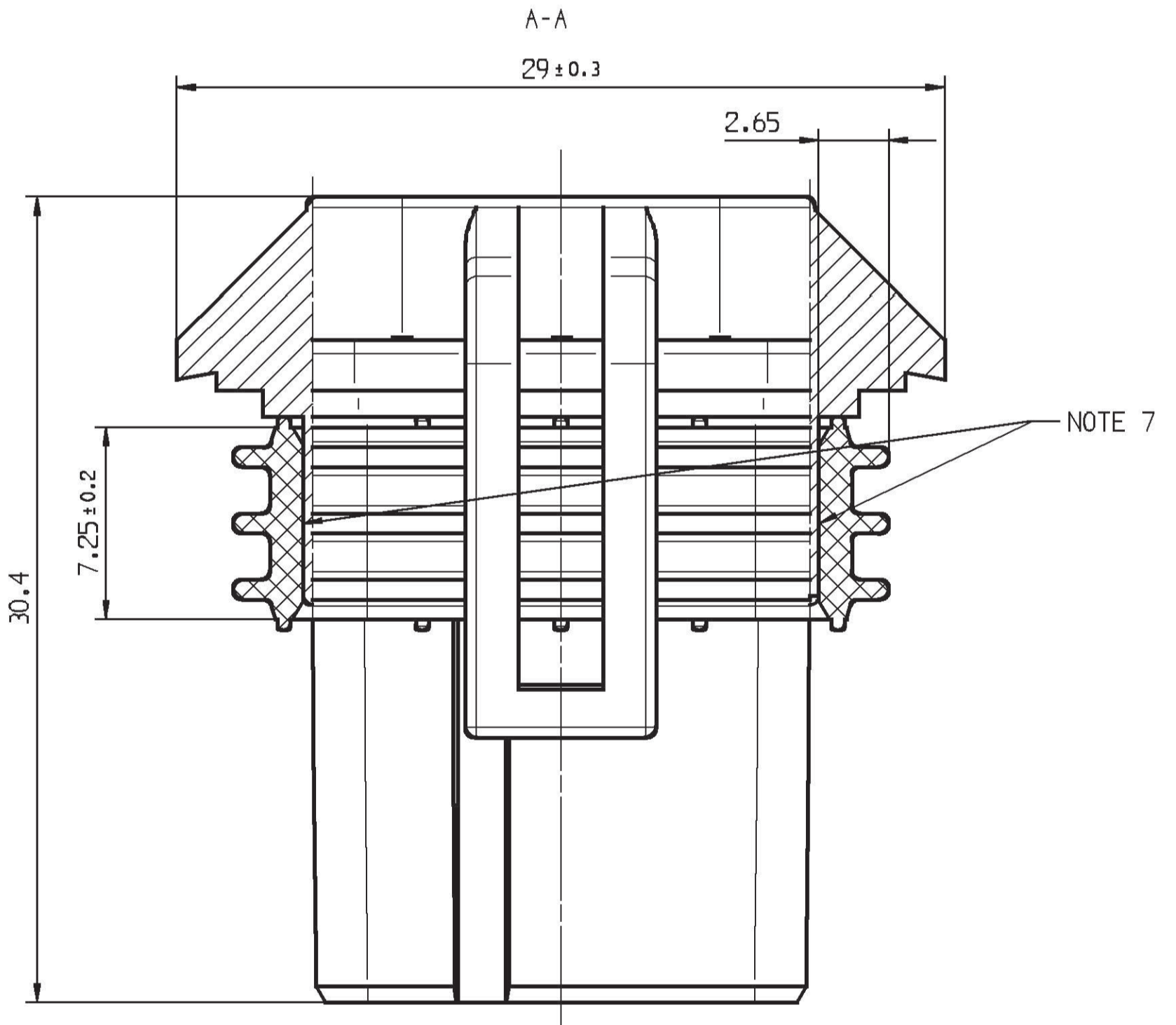
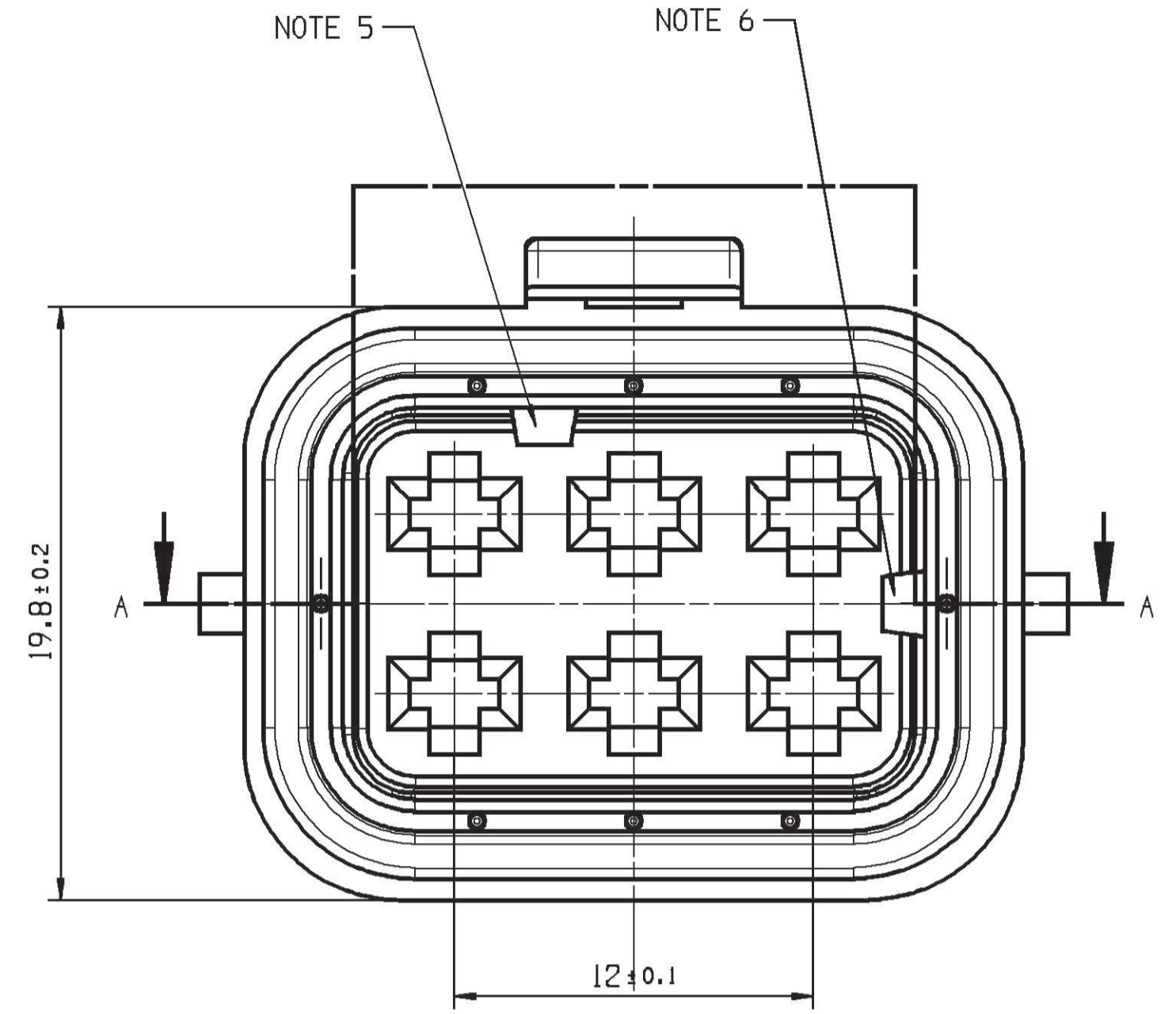
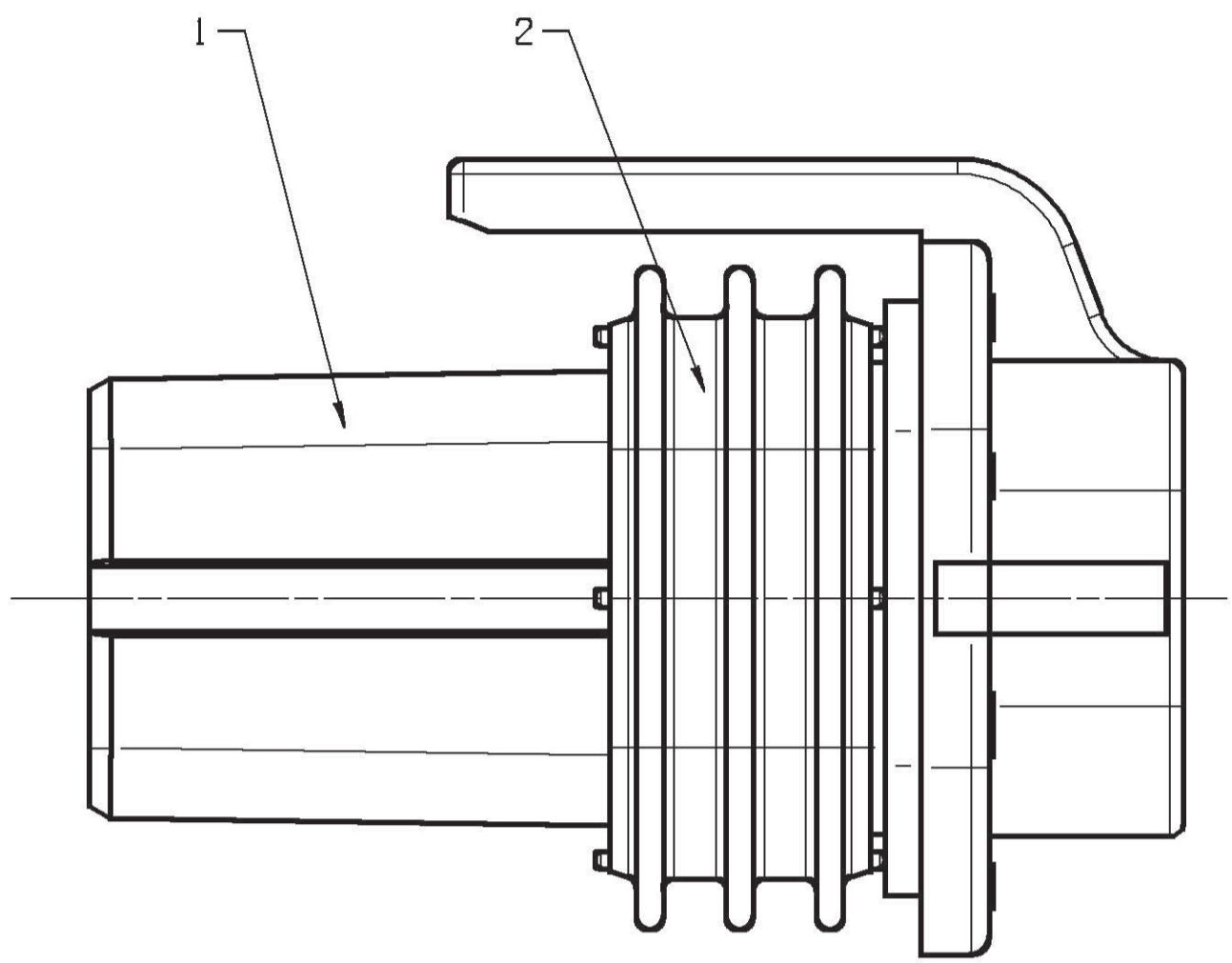
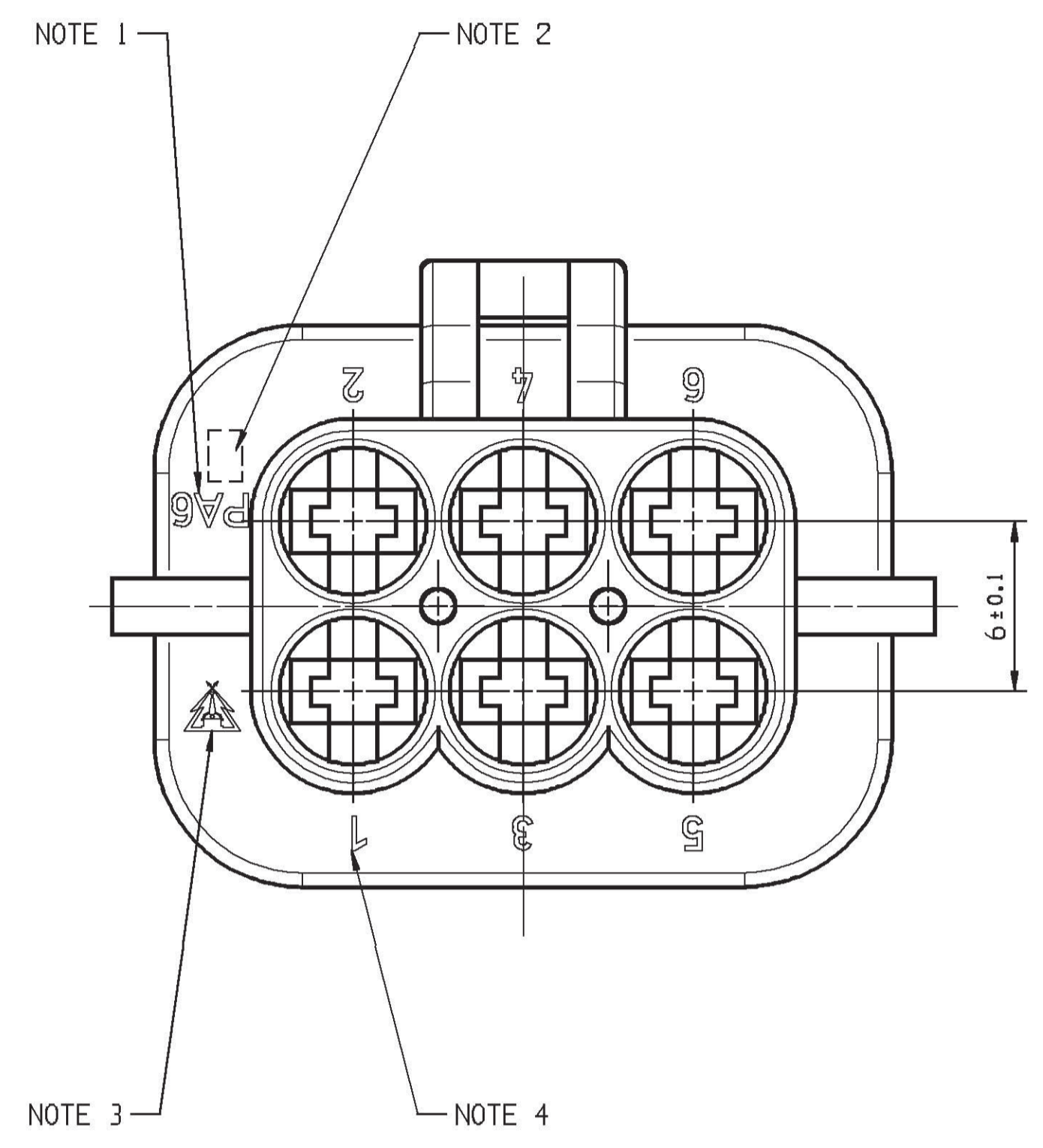
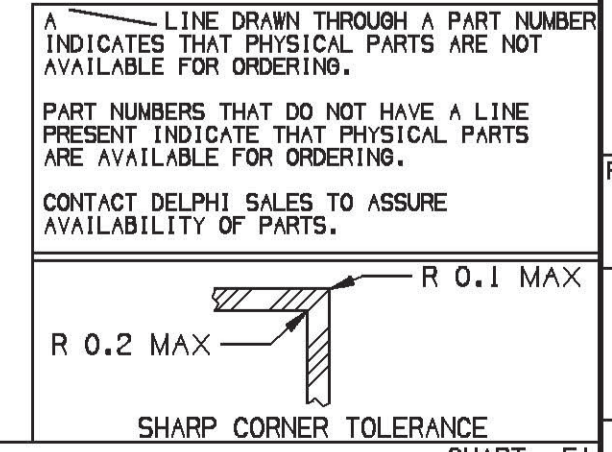


POS	TITLE	PART-NO.:	PART-REV	DATE	AMOUNT	MATERIAL	SIM. RAL	NOTES
	RECEPTACLE HOUSING 6 WAY ASSEMBLY	15344052	01	10N099	---	---	---	CONDITION OF DELIVERY POS. 1-2 ASSEMBLED
1	RECEPTACLE HOUSING SEAL	15345254	--	---	1	PA6 BLK	9005	ONLY ASSEMBLED PARTS AVAILABLE
2	HOUSING SEAL	10718067	--	---	1	SILICON GRN	---	ONLY ASSEMBLED PARTS AVAILABLE

DWG STATUS				REVISION HISTORY			AUTH	DR	APVD 1	APVD 2
DATE	STG	REV	IN/P/CHG	ZONE						
07SE16	R	01								A.RAC M.SKR P.LES

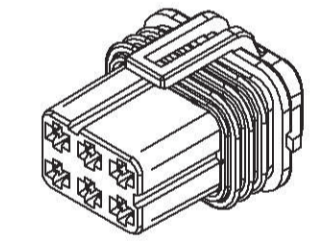


- NOTES**
- LETTERS AND ENGRAVINGS 0.1 MM RAISED FORMAT ACCORDING TO DIN 1451
 - MATING PART: LOCKING CAP PART-NO.: 10719356
 - TERMINAL SYSTEM: 6X DUCON 2.8X0.8
 - 1 MATERIAL NAME; H=1.2 MM
 - 2 TOOL CAVITY NUMBER; H=1.6 MM
 - 3 MANUFACTURER MARK X=2 MM
 - 4 PART CAVITY NUMBER; H=1.2 MM
 - 5 CODING FEATURE
 - 6 PROTECTION AGAINST DISLOCATING
 - 7 SEALING SURFACE MUST BE FREE OF DEFECTS



DIM TO CHECK	DIMENSIONAL RANGE (MM)										CHART E1
	FROM	> 0	> 20	> 30	> 70	> 100	> 150	> 200	> 250	> 300	
() DIM FOR HELP	TO	20	30	70	100	150	200	250	300	400	
THEORETIC DIM		±0.15	±0.2	±0.3	±0.4	±0.5	±0.6	±0.8	±1	±1.2	

SCALE: 1:1



DWG TYP	PART DRAWING
WEIGHT (GR)	DISTR CODE
VOLUME (CM³)	D
ROUTING	

UNLESS OTHERWISE SPECIFIED
GENERAL TOLERANCES ACCORDING TO: SEE CHART
GD&T ACCORDING TO: ISO 1101

REFERENCE
FIRST ANGLE PROJECTION

DO NOT SCALE
USE MATH DATA

DELPHI
DELPHI PACKARD ELECTRICAL/ELECTRONIC ARCHITECTURE
KRAKOW, POLAND
COPYRIGHT 2016 DELPHI CORPORATION AND/OR ITS AFFILIATES. ALL RIGHTS RESERVED.
THIS DRAWING IS THE PROPERTY OF DELPHI CORPORATION AND CONTAINS DELPHI CONFIDENTIAL INFORMATION. THE REPRODUCTION, DISTRIBUTION AND UTILIZATION OF THIS DOCUMENT OR ITS RELATED CAD DATA, AS WELL AS COMMUNICATION OF ANY CONTENT TO OTHERS, WITHOUT EXPRESS AUTHORIZATION, IS PROHIBITED.
TEN RYSUNEK JEST WŁASNOŚCIĄ DELPHI CORPORATION I ZAWIERA POŁPNE INFORMACJE POWIELANE, ROZPOWISZCZANE I WYKORZYSTYWANE TEGO DOKUMENTU LUB ZWIĄZANYCH Z NIM DANYCH CAD, JAK RÓWNIEŻ PRZEKAZYWANIE INNYM JAKIEKOLWIEKICH ZAWARTOŚCI, BEZ NADANIA WYRAZNYCH UPRAWNIEN, JEST ZABRONIONE.

DR	A.RACZKA	DATE	06SE16
APVD1	M.SIKORA		07SE16
APVD2	P.LESNIAK		08SE16
APVD3			
APVD4			
APVD5			

SUBSTANCES OF CONCERN AND RECYCLED CONTENT PER DELPHI 10949001
SUBSTANCJE NIEBEZPIECZNE I POWTÓRNIE PRZETWORZONE OKRESLA
DELPHI 10949001

MATERIAL: SEE CHART
DRAWING NAME: RECEPTACLE HOUSING 6 WAY FOR DUCON 2,8X0,8
DRAWING NUMBER: 15344052

SIZE	SCALE	FRAME NO	SHEET NO	STG	REV	N/P
A1	5:1	1 OF 1	1 OF 1	R	01	

CONTROLLED DOCUMENTS ARE ONLY AVAILABLE ON THE SERVER