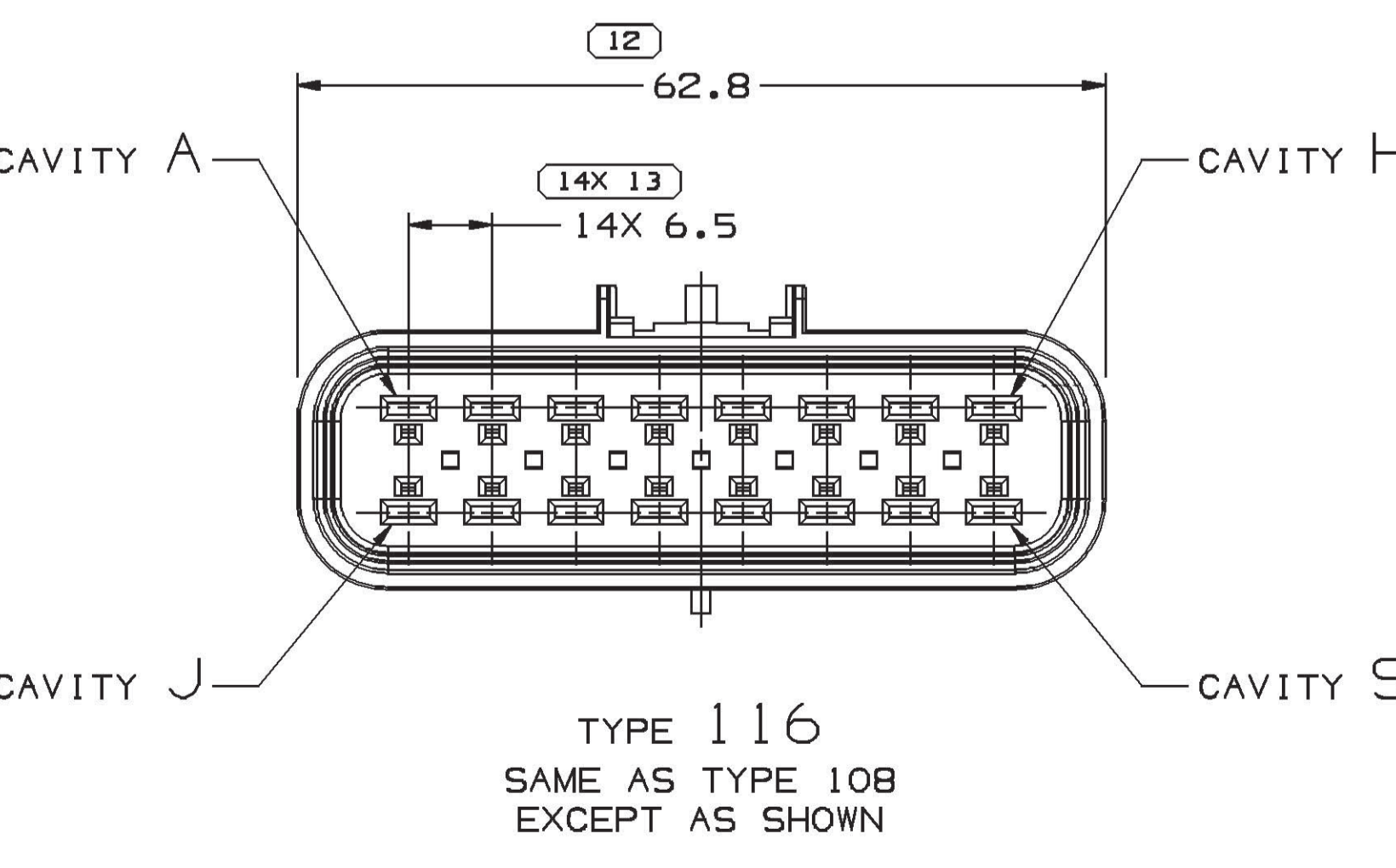
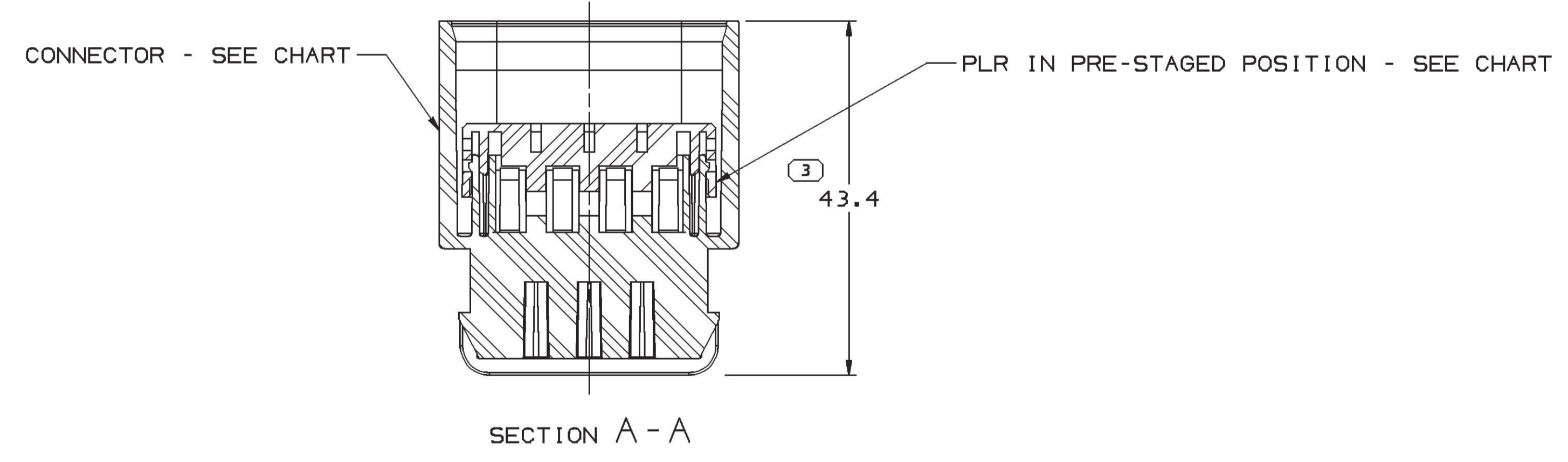
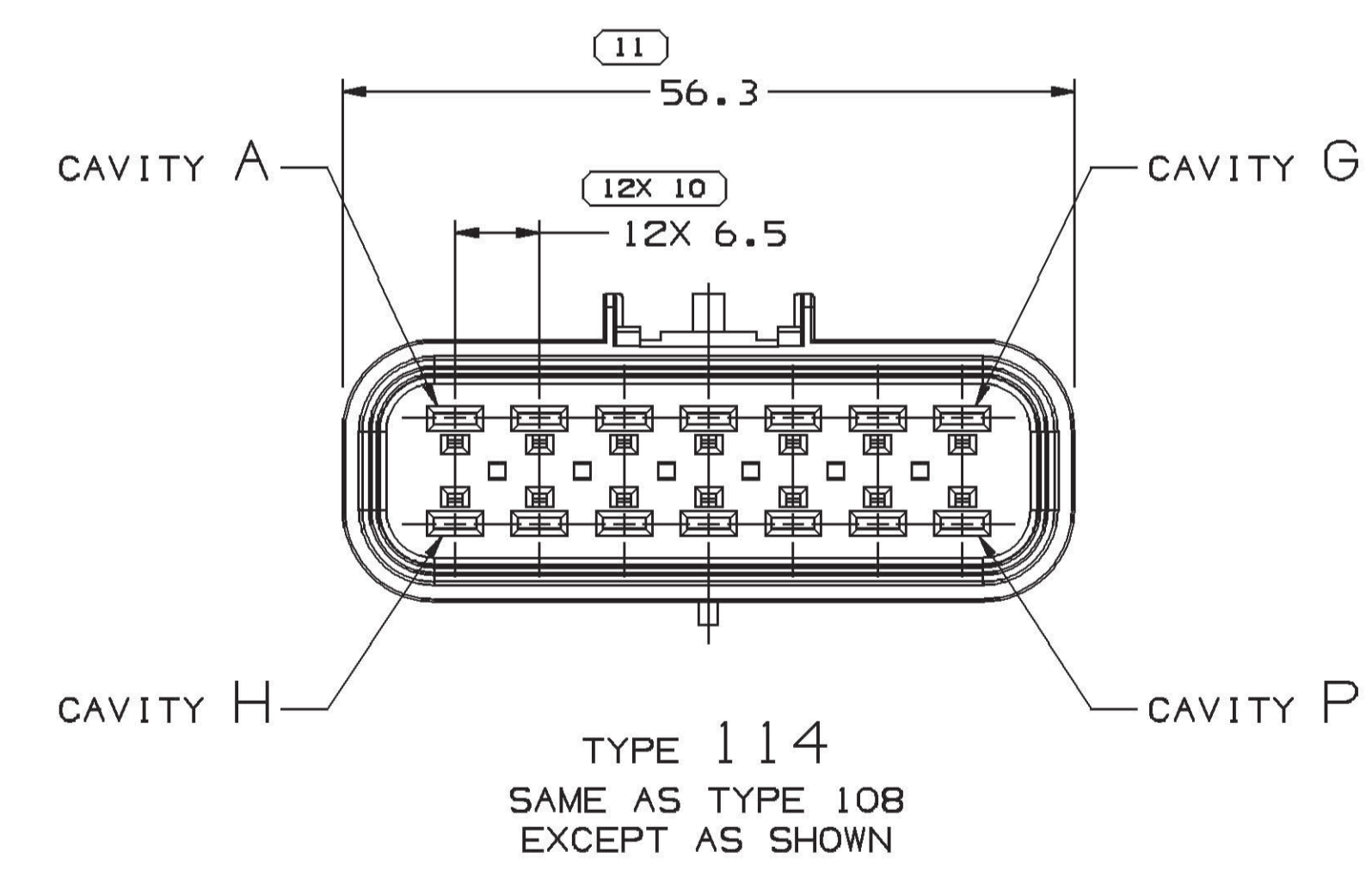
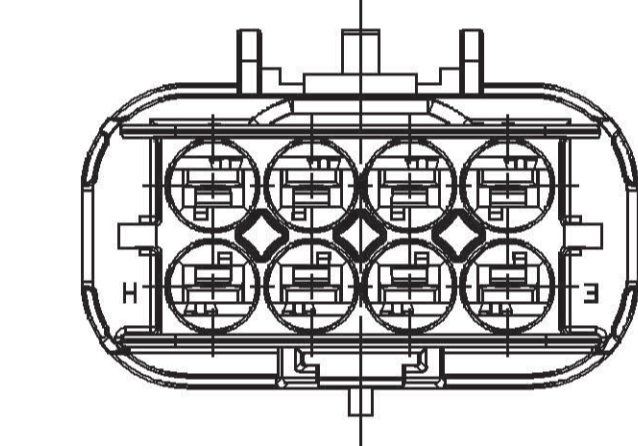
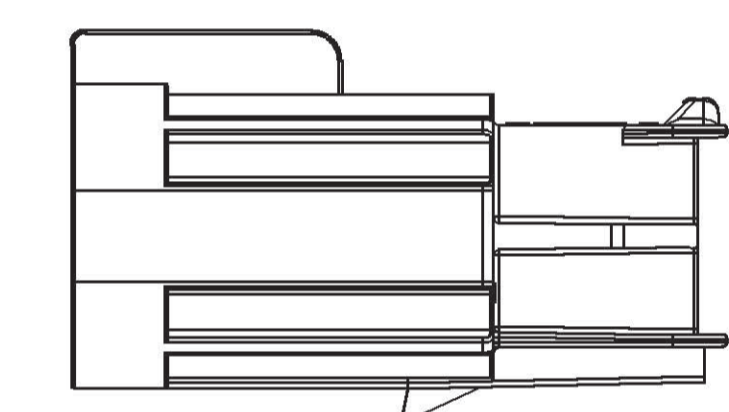
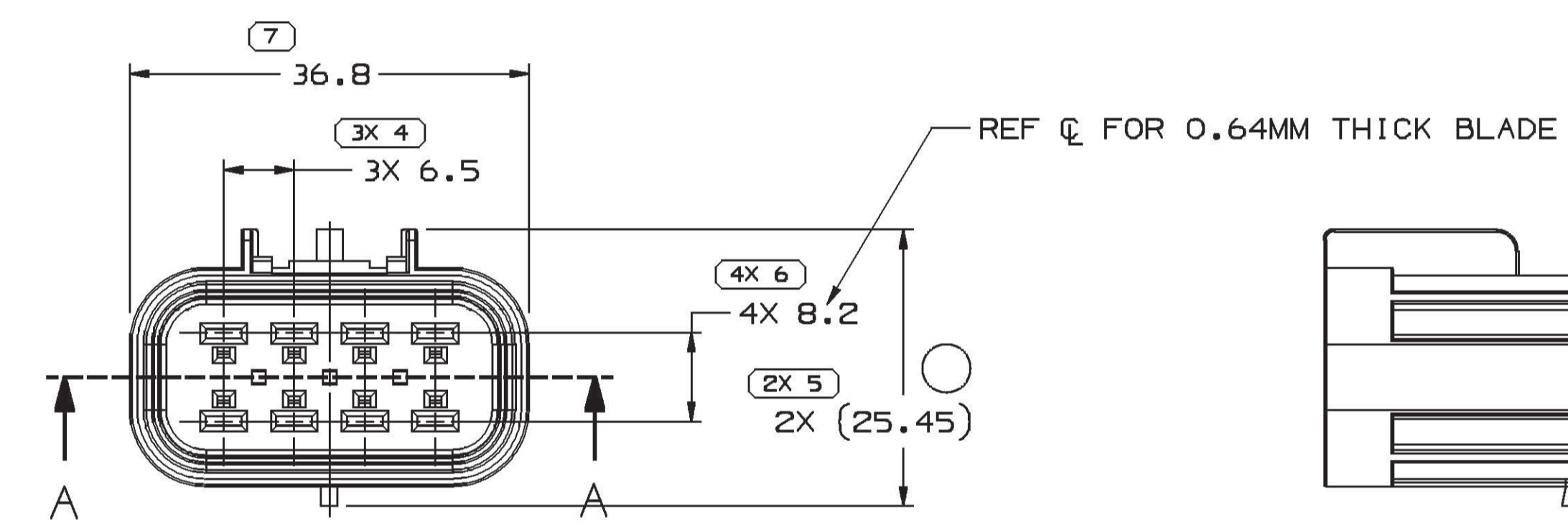
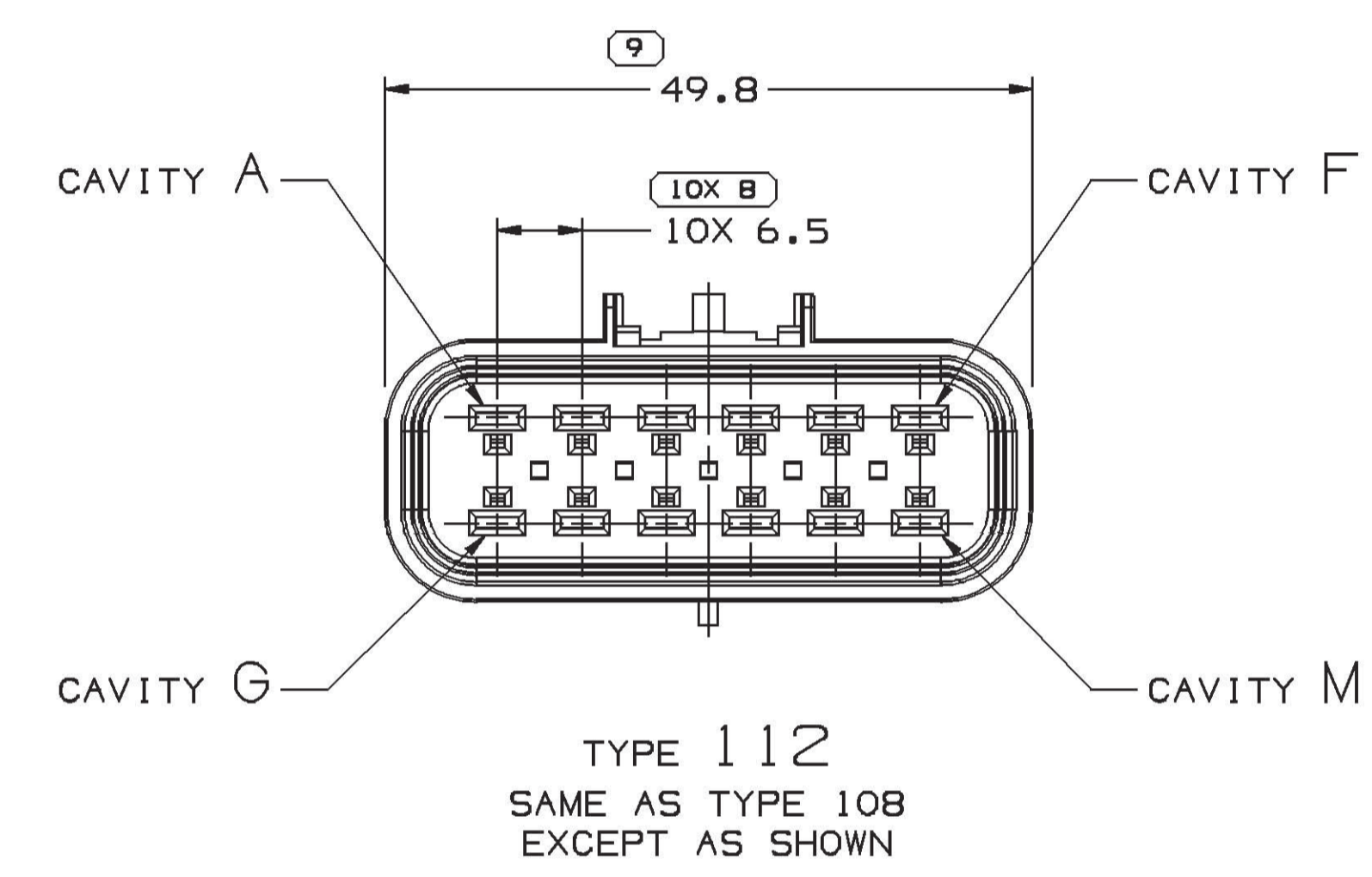
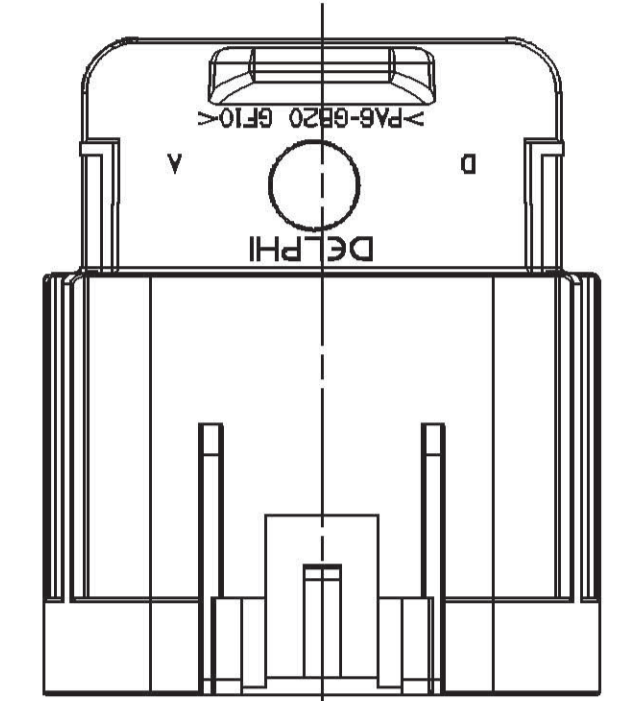
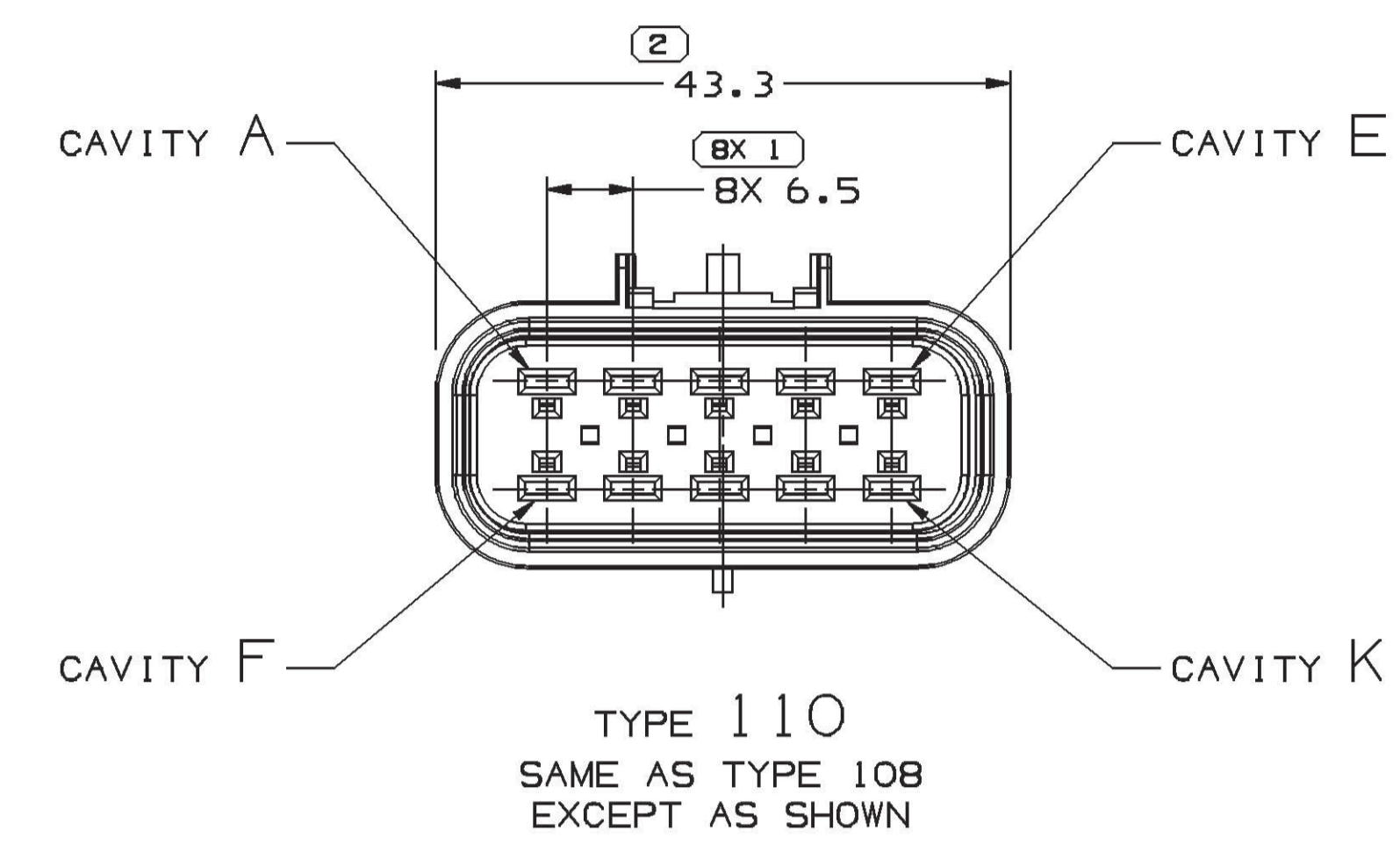
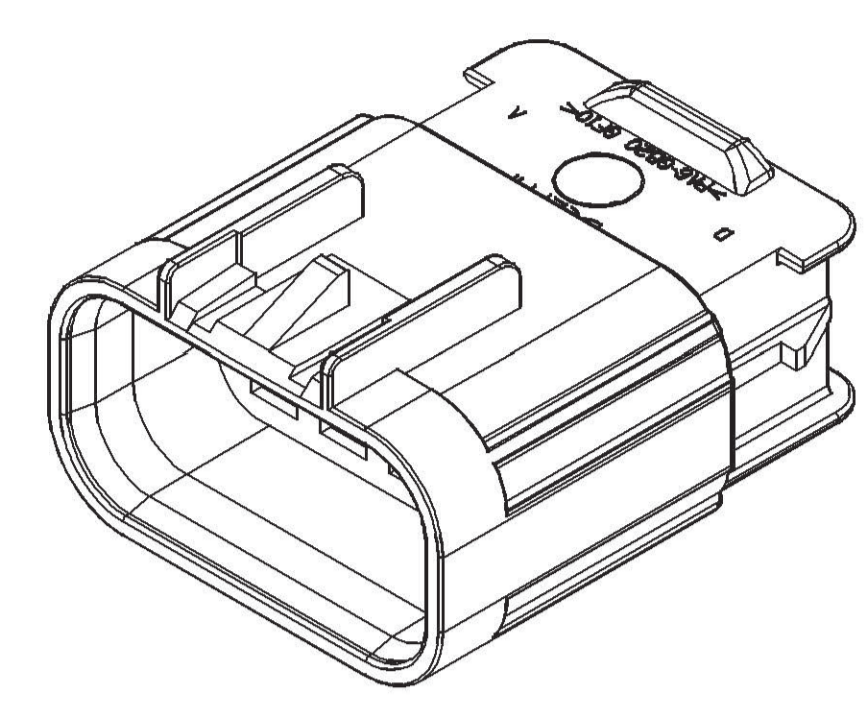
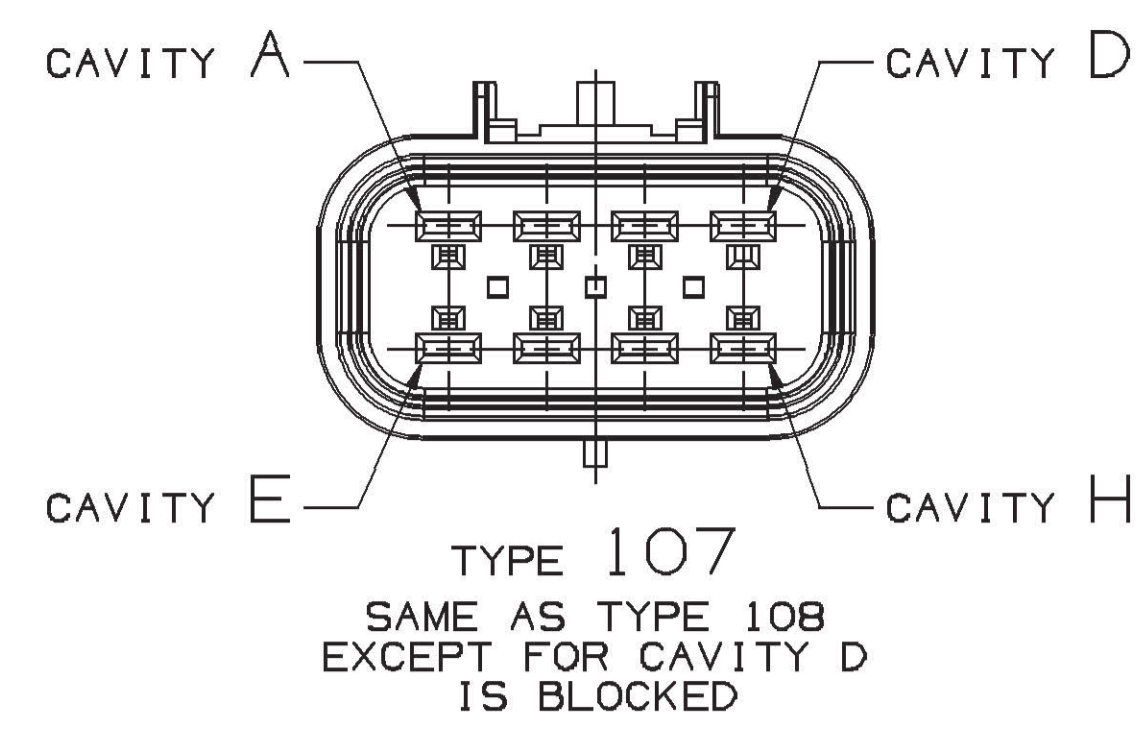


SYMBOL DEFINITION		TOTAL NO OF INSPECTIONS REQUIRED	MISSING SYMBOLS
A DIMENSION WITHOUT AN INSPECTION REPORT SYMBOL DOES NOT REQUIRE INSPECTION. IT MAY BE CONTROLLED ON THE INDIVIDUAL COMPONENT DRAWING.		59	NO MISSING SYMBOL NUMBER
		LAST NO. USED	13

DWG STATUS						REVISION HISTORY		AUTH	DR	APVD	APVD
DATE	STG	REV	N/P	CHG	ZONE						
11JUL01	R	01	-	-	-	ALL PARTS - ADDED NOTE 4		210804	EVV	081	SAN
26JNO3	R	02	-	-	-	ALL PARTS - ADDED NOTE #3 AND NOTE #4, REMOVED PLASTIC NOTE 1, 15326655 AND 15326661 - ADDED MATING TPA		243012	TLD	TLD	SAN
19DE05	R	03	-	-	-	13544513 - RELEASED		275733	JBD	JAA	JGS
09AP07	R	04	-	-	-	15326655, 15326661, 15326667, 15326915 & 15326922 - UPDATED PDM ATTRIBUTES		400967	JPH	FKV	PYP
12JNO9	R	05	-	-	-	ALL PARTS - ADDED APPLICATION DATA & APPEARANCE ITEM NOTES AND REMOVED TPA & MATING COLUMNS FROM CHART		408088	EGR	EVV	VMR
12AUI1	R	06	-	-	-	ALL PARTS - 2X (25.45) WAS 2X 25.45		415083	JEG	JAA	VMR



- NOTES
- UNLESS OTHERWISE SPECIFIED AND/OR INDICATED: DIMENSIONS ARE TO FACE OF VIEW SHOWN AND AUTOMATICALLY ROUNDED BY COMPUTER FOR INSPECTION (SEE MATH MODEL FOR PRECISE DIMENSIONS). FOR ALL OTHER DIMENSIONS NOT SHOWN BUT REQUIRED FOR TOOL BUILD, SEE MATH MODEL FOR PRECISE TOOL PATH DATA.
 - FOR APPLICATION DATA SEE THE INDIVIDUAL APPLICATION DRAWINGS.
 - THIS PRODUCT IS NOT CATEGORIZED AS AN APPEARANCE ITEM, MINOR IMPERFECTIONS INCLUDING, BUT NOT LIMITED TO, FLOW MARKS, COLOR BLEMISHES, GATE VESTIGE, AND SOFT FLASH THAT DO NOT AFFECT THE FIT, FORM, OR FUNCTION OF THE PART ARE PERMISSIBLE PER DPNP-4.7-CS-01.
 - SEALING CODE 4 - DESIGN WILL MEET REQUIREMENTS OF SAE/USCAR-2 CONNECTOR SYSTEM ENVIRONMENTAL TEST FLOWCHART (PRESSURE/VACUUM AND SUBMERSION).

PART NO	REV	N/P	STATUS	TYPE	CONNECTOR	PLR
13544513	01	AB	-	107	13544512	15326652 / ID406319
15326922 / ID406342	A5	-	-	114	15326921 / ID406346	15326919 / ID406343
15326915 / ID406336	A5	-	-	112	15326914 / ID406340	15326912 / ID406337
15326667 / ID406347	A5	-	-	116	15326663 / ID406351	15326664 / ID406352
15326661 / ID406329	A5	-	-	110	15326657 / ID406333	15326658 / ID406330
15326655 / ID406321	A5	-	-	108	15326651 / ID406318	15326652 / ID406319

DIMENSIONAL RANGE (MM)	CHART	EST
FROM > 0	> 20	> 30
TO 20	30	70
	70	100
	100	150
	150	200
	200	250
	250	300
	300	400

DELPHI
DELPHI PACKARD ELECTRICAL/ELECTRONIC ARCHITECTURE
WARREN, OH

DRW TYPE: PART DRAWING

STYLE: D

VOLUME (QWP): D

DISTR CODE: D

UNLESS OTHERWISE SPECIFIED
THIS DOCUMENT IS IN ACCORDANCE WITH ASME Y14.5M-1994 AS MODIFIED BY THE 2003 SUPPLEMENT AND TELEPHANING ADDENDUM-2001. SEPARATE PATTERNS OF FEATURES MAY BE SHOWN SEPARATELY, REGARDLESS OF DATA REFERENCES.

ALL DIMENSIONS ARE IN MILLIMETERS

REFERENCE:

THIRD ANGLE PROJECTION

DO NOT SCALE USE MATH DATA

THIS DOCUMENT IS THE PROPERTY OF DELPHI. IT IS TO BE USED ONLY FOR THE PURPOSES AND IN ACCORDANCE WITH THE TERMS AND CONDITIONS OF THE DELPHI PATENT AND TRADE SECRET AGREEMENT. UNLESS OTHERWISE SPECIFIED, ALL RIGHTS ARE RESERVED.

DATE: 12-Aug-11 Time: 11:24

APR01 M. MCCALL 25JUL97
APR02 M. MCCALL 25JUL97
APR03 S. A. NORLING 03OC97
APR04

SUBSTANCES OF CONCERN AND RECYCLED CONTENT PER DELPHI (094490)

MATERIAL: SEE CHART

DRAWING NAME: TAXI ASM CONN M GT 280 SLD

DRAWING NUMBER: 15326673

SIZE: A0 SCALE: 2:1 FRM NO: 1 OF 1 SHEET NO: 1 OF 1 STG: R REV: 06