

4

3

2

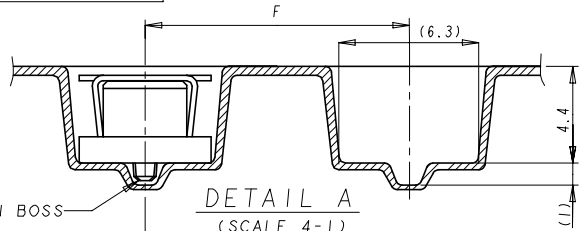
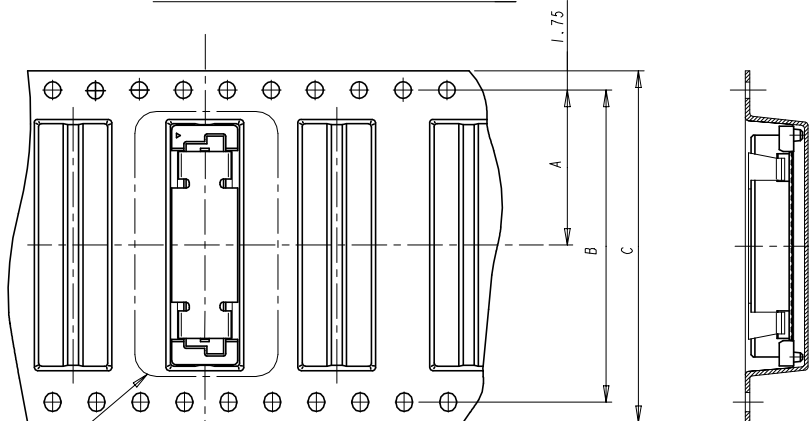
1

TE Connectivity. All Rights Reserved.

LOW HALOGEN

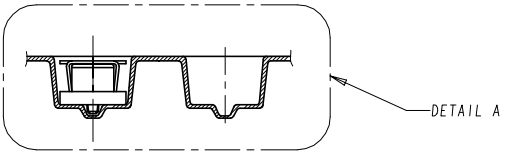
REVISIONS					
P	LT/R	DESCRIPTION	DATE	DWN	APVD
RS		ECN-21-124193:CHANGE WIDTH OF TAPE	28OCT2021	AL	HL

DIRECTION OFF TOP OF REEL

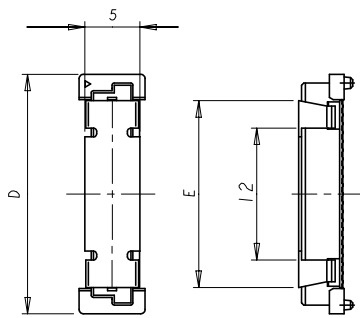


- NOTES :
- 1 MATERIAL: HOUSING: LCP,HIGH TEMP THERMOPLASTIC UL 94V-0,NATURAL.
CONTACT: COPPER ALLOY.
 - 2 FINISH: 0.0013 MIN ALL OVER NICKEL
CONTACT AREA: 0.00038 MIN GOLD
SOLDERING AREA: 0.002 MIN MATTE TIN.
 - 3 POSITION SERIES: SEE TABLE.
 - 4 CONN STACK HEIGHT COMBINE OF
PLUG "Y"H VS REC "X"H.
STACK HEIGHT = Y+X-5
 - 5 FINISH: 0.0013 MIN ALL OVER NICKEL
CONTACT AREA: 0.00038 MIN GOLD
SOLDERING AREA: 0.002 MIN MATTE TIN.
 - 6 CONNECTOR WITH BLACK COLOR AND POLYIMIDE COVER
 - 7 FINISH: 0.0013 MIN ALL OVER NICKEL
CONTACT AREA: GOLD FLASH
SOLDERING AREA: 0.002 MIN MATTE TIN.

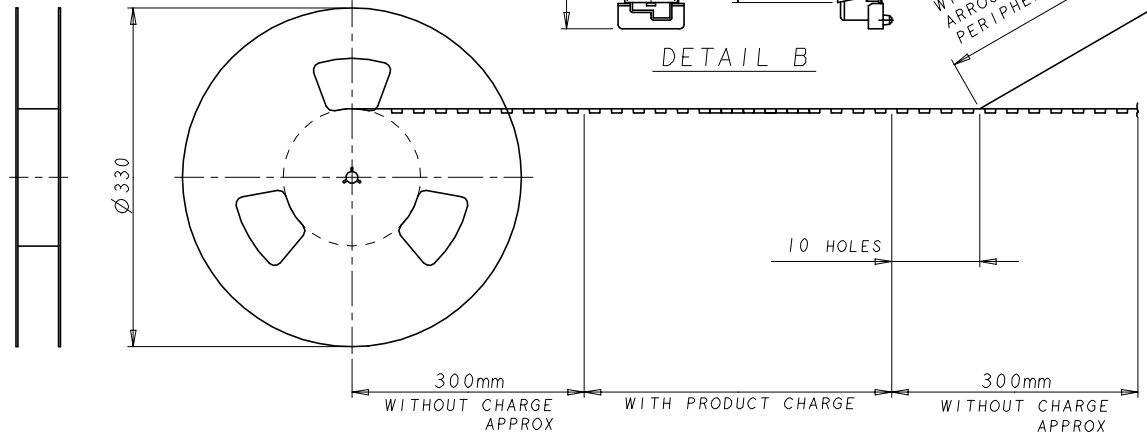
DETAIL B



STEEL COVER



WINDING THE COVER TAPE AROUND THE OUTER PERIPHERY IN A TURN.



GOLD FLASH -Sn	700	16	17	69.8	88	84.4	42.2	160	9-	-8	
				53.8	72	68.4	34.2	120	9-	-5	
15Au-Sn	↑	↑	↑	45.8	72	68.4	34.2	100	9-	-4	
				37.8	56	52.4	26.2	80	9-	-3	
	↑	↑	↑	29.8	44	40.4	20.2	60	9-	-2	
				1000	12	17	21.8	32	28.4	14.2	40
	↑	↑	↑	85.8	104	100.4	50.2	200	2-	-0	
				77.8	104	100.4	50.2	180	1-	-9	
	↑	↑	↑	70.1	88	84.4	42.2	160	1-	-8	
				61.8	88	84.4	42.2	140	1-	-6	
	08Au-Sn	↑	↑	↑	53.8	72	68.4	34.2	120	1-	-5
					45.8	72	68.4	34.2	100	1-	-4
↑		↑	↑	37.8	56	52.4	26.2	80	1-	-3	
				29.8	44	40.4	20.2	60	1-	-2	
↑		↑	↑	85.8	104	100.4	50.2	200	1-	-0	
				77.8	104	100.4	50.2	180	1-	-9	
↑		↑	↑	69.8	88	84.4	42.2	160	1-	-8	
				21.8	32	28.4	14.2	40	1-	-7	
↑		↑	↑	61.8	88	84.4	42.2	140	1-	-6	
				53.8	72	68.4	34.2	120	1-	-5	
↑	↑	↑	45.8	72	68.4	34.2	100	1-	-4		
			37.8	56	52.4	26.2	80	1-	-3		
↑	↑	↑	29.8	44	40.4	20.2	60	1-	-2		
			1000	12	17	21.8	32	28.4	14.2	40	5177985-1

THIS DRAWING IS A CONTROLLED DOCUMENT. DWN: SK LEAW 17MAY2004
CHK: ERIC TING

TE Connectivity Ltd.

RECEPTACLE ASSEMBLY 5H TYPE (0.5MM BOSS LENGTH) FOR 0.8FH ON TAPING

108-5390
114-5254

SIZE: A2 CAGE CODE: 00779 C=5177985

SCALE: 1:1 SHEET: 1 of 4 REV: R5

4

3

2

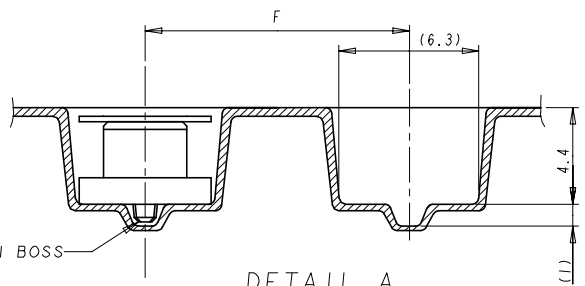
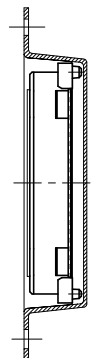
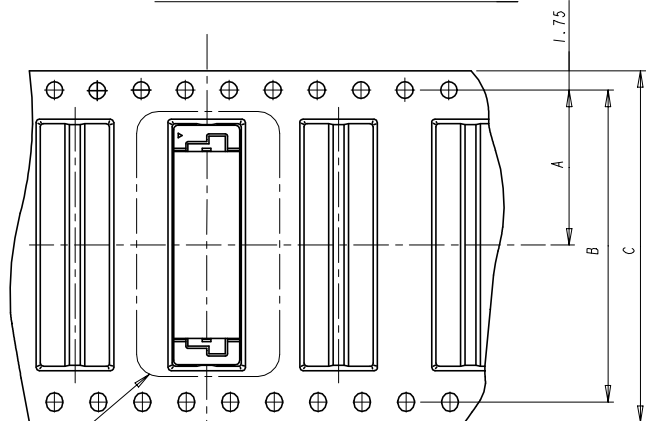
1

© - TE Connectivity. All Rights Reserved.

LOW HALOGEN

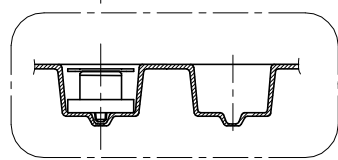
REVISIONS					
P	LTR	DESCRIPTION	DATE	DWN	APVD
-	-	SEE SHEET 1	-	-	-

DIRECTION OFF TOP OF REEL

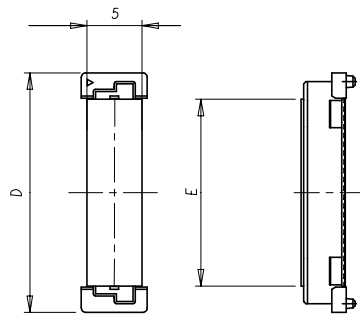


DETAIL A (SCALE 4-1)

DETAIL B



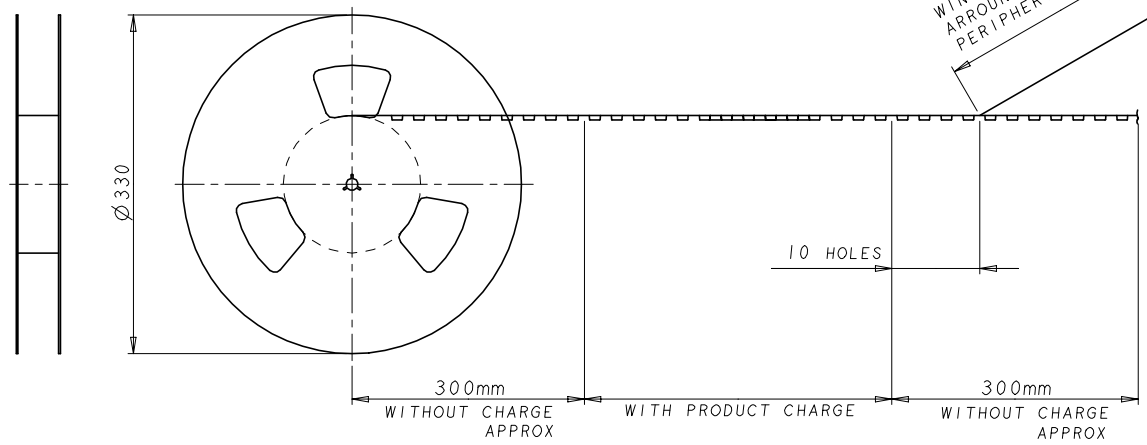
DETAIL A



DETAIL B

POLYIMIDE COVER

WINDING THE COVER TAPE AROUND THE OUTER PERIPHERY IN A TURN.



FINISH	QTY	F	E	D	C	B	A	POS	PART NO.
	700	16	11	61.8	88	84.4	42.2	140	9-5177985-6

THIS DRAWING IS A CONTROLLED DOCUMENT.

DW: SK LEAW CHK: ERIC TING APVD: SF LEONG	17MAV2004	TE Connectivity Ltd.																						
DIMENSIONS: mm		TOLERANCES UNLESS OTHERWISE SPECIFIED:																						
<table border="1"> <tr><td>0 PLC</td><td>±</td><td>-</td></tr> <tr><td>1 PLC</td><td>±</td><td>0.3</td></tr> <tr><td>2 PLC</td><td>±</td><td>0.25</td></tr> <tr><td>3 PLC</td><td>±</td><td>0.2</td></tr> <tr><td>4 PLC</td><td>±</td><td>-</td></tr> </table>		0 PLC	±	-	1 PLC	±	0.3	2 PLC	±	0.25	3 PLC	±	0.2	4 PLC	±	-	<table border="1"> <tr><td>PRODUCT SPEC</td><td>108-5390</td></tr> <tr><td>APPLICATION SPEC</td><td>114-5254</td></tr> <tr><td>WEIGHT</td><td>-</td></tr> </table>		PRODUCT SPEC	108-5390	APPLICATION SPEC	114-5254	WEIGHT	-
0 PLC	±	-																						
1 PLC	±	0.3																						
2 PLC	±	0.25																						
3 PLC	±	0.2																						
4 PLC	±	-																						
PRODUCT SPEC	108-5390																							
APPLICATION SPEC	114-5254																							
WEIGHT	-																							
MATERIAL: -		FINISH: -																						
CUSTOMER DRAWING		SIZE: A2	CAGE CODE: 00779																					
DRAWING NO: 5177985		RESTRICTED TO: -	SCALE: 1:1																					
SHEET: 2 of 4		REV: R5																						

4

3

2

1

TE Connectivity. All Rights Reserved.

DIRECTION OFF TOP OF REEL

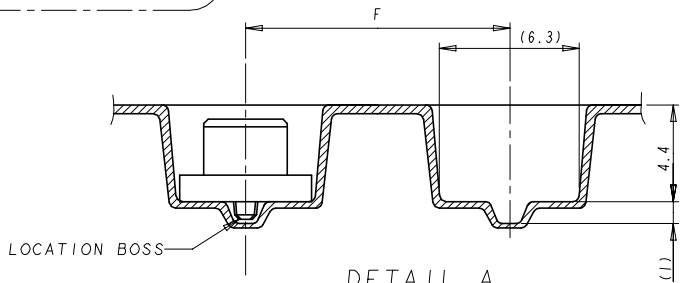
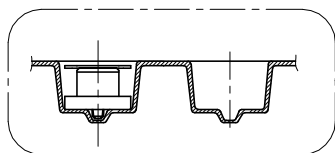
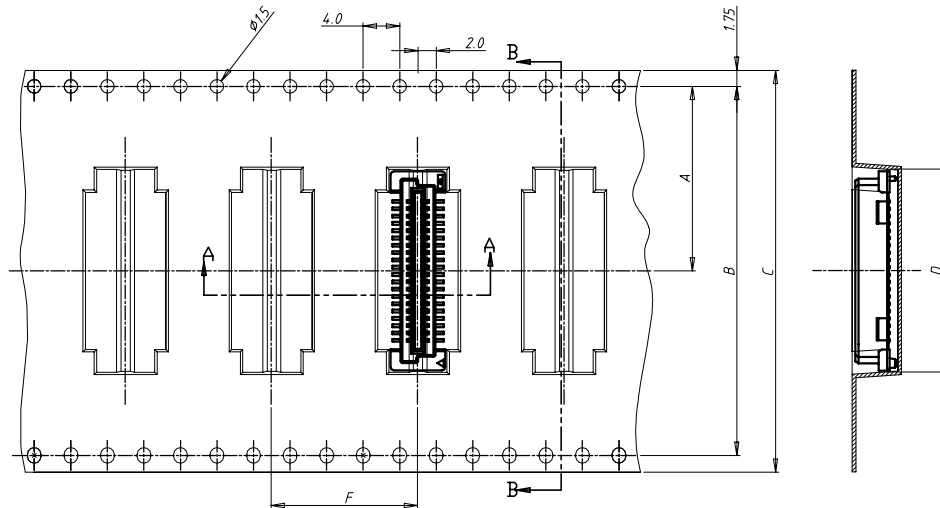
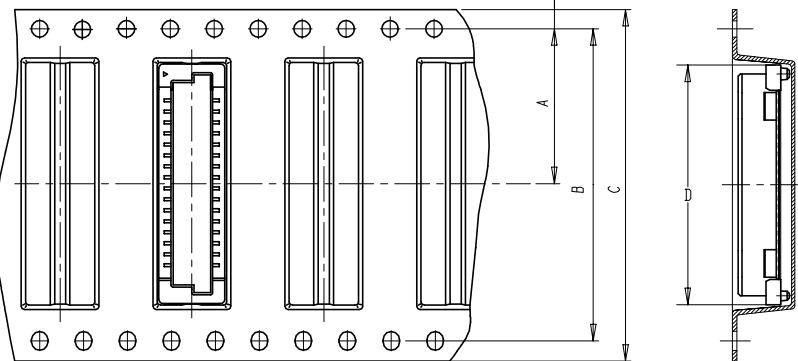
8-5177985-5

8-5177985-1

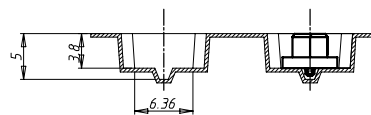
REVISIONS

P	LTR	DESCRIPTION	DATE	DWN	APVD
-	-	SEE SHEET 1	-	-	-

USER DIRECTION OF UNREELING



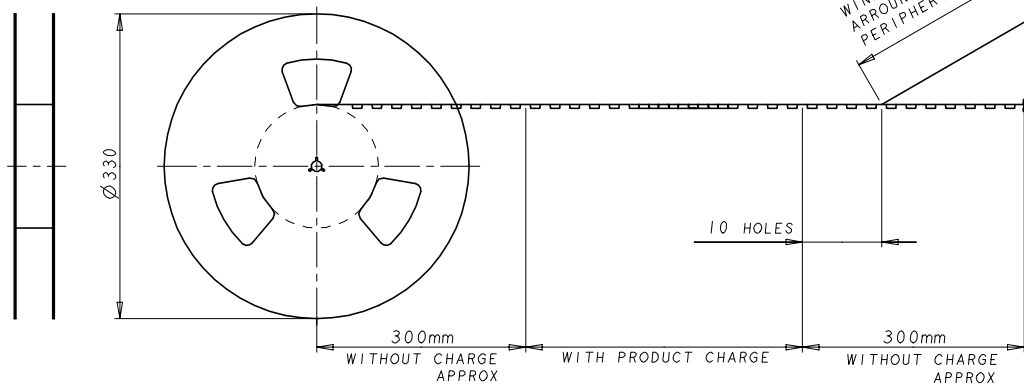
DETAIL A (SCALE 4-1)



A-A

B-B

WINDING THE COVER TAPE AROUND THE OUTER PERIPHERY IN A TURN.



LOW HALOGEN
WITHOUT COVER

700	16	22.2	44	40.4	20.2	40	8-5177985-1	
700	16	53.8	72	68.4	34.2	120	8-5177985-5	
FINISH	QTY	F	D	C	B	A	POS	PART NO.

THIS DRAWING IS A CONTROLLED DOCUMENT.		DWN: SK LEAW CHK: ERIC TING APVD: SF LEONG	17MAY2004	TE Connectivity Ltd.			
DIMENSIONS: mm		TOLERANCES UNLESS OTHERWISE SPECIFIED:		RECEPTACLE ASSEMBLY 5H TYPE (0.5MM BOSS LENGTH) FOR 0.8FH ON TAPING			
		0 PLC ± - 1 PLC ± 0.3 2 PLC ± 0.25 3 PLC ± 0.2 4 PLC ± -		PRODUCT SPEC: 108-5390		SIZE: A2	
MATERIAL: -		FINISH: -		APPLICATION SPEC: 114-5254		CAGE CODE: 00779	
				DRAWING NO: 5177985		RESTRICTED TO: -	
				CUSTOMER DRAWING		SCALE: 1:1 SHEET: 3 of 4 REV: R5	

4

3

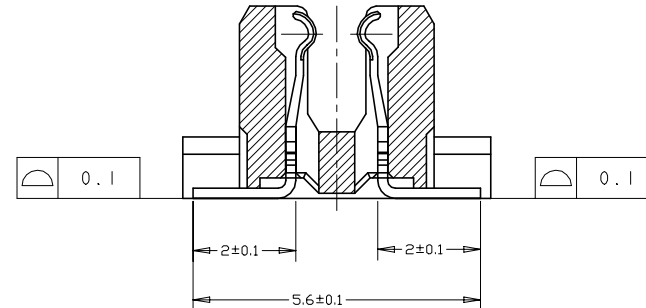
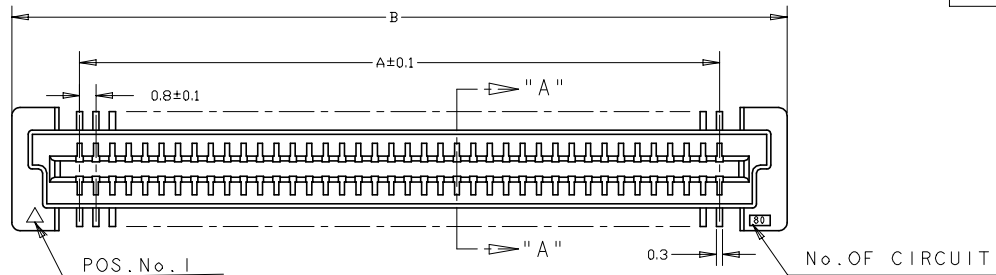
2

1

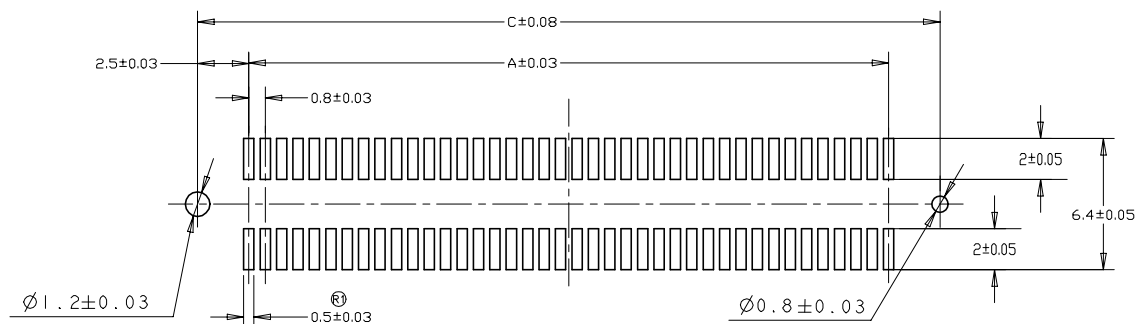
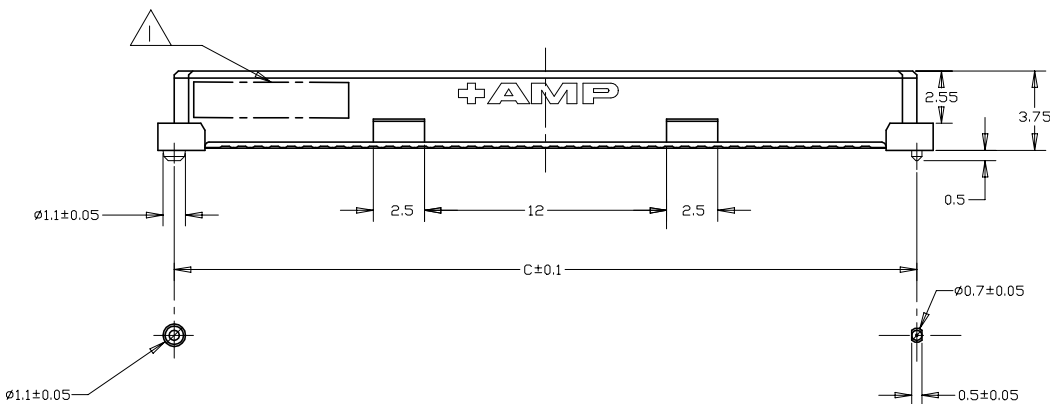
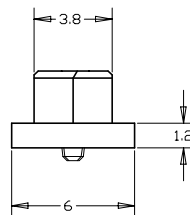
© - TE Connectivity. All Rights Reserved.

LOW HALOGEN

REVISIONS					
P	LTR	DESCRIPTION	DATE	DWN	APVD
-	-	SEE SHEET 1	-	-	-



SECT. "A" - "A"
(SCALE 10-1)



RECOMMENDED P.C. BOARD LAYOUT

CONNECTOR ONLY

20.2	21.8	15.2	40	8-	-1
52.2	53.8	47.2	120	8-	-5
68.2	69.8	63.2	160	9-	-8
52.2	53.8	47.2	120	9-	-5
44.2	45.8	39.2	100	9-	-4
36.2	37.8	31.2	80	9-	-3
28.2	29.8	23.2	60	9-	-2
20.2	21.8	15.2	40	9-	-1
84.2	85.8	79.2	200	2-	-0
76.2	77.8	71.2	180	1-	-9
68.2	69.8	63.2	160	1-	-8
60.2	61.8	55.2	140	1-	-6
52.2	53.8	47.2	120	1-	-5
44.2	45.8	39.2	100	1-	-4
36.2	37.8	31.2	80	1-	-3
28.2	29.8	23.2	60	1-	-2
20.2	21.8	15.2	40	1-	-1
84.2	85.8	79.2	200	1-	-0
76.2	77.8	71.2	180		-9
68.2	69.8	63.2	160		-8
60.2	61.8	55.2	140		-6
52.2	53.8	47.2	120		-5
44.2	45.8	39.2	100		-4
36.2	37.8	31.2	80		-3
28.2	29.8	23.2	60		-2
20.2	21.8	15.2	40		-1
C	B	A	POS	PART NO.	

THIS DRAWING IS A CONTROLLED DOCUMENT. DWN: SK LEAW 17MAY2004
CHK: ERIC TING

DIMENSIONS: mm	TOLERANCES UNLESS OTHERWISE SPECIFIED:	APVD: SF LEONG	NAME:
0 PLC ± -	1 PLC ± 0.3	PRODUCT SPEC:	RECEPTACLE ASSEMBLY 5H TYPE (0.5MM BOSS LENGTH) FOR 0.8FH ON TAPING
2 PLC ± 0.25	3 PLC ± 0.2	APPLICATION SPEC:	108-5390
4 PLC ± -	ANGLES ± -	SIZE:	114-5254
MATERIAL:	FINISH:	WEIGHT:	114-5254
CUSTOMER DRAWING		CAGE CODE:	A200779
		DRAWING NO:	C=5177985
		RESTRICTED TO:	-
		SCALE:	1:1
		SHEET:	4 of 4
		REV:	R5