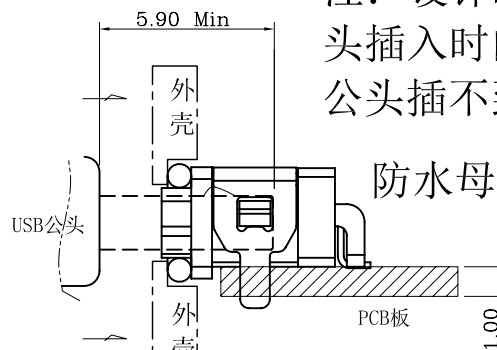
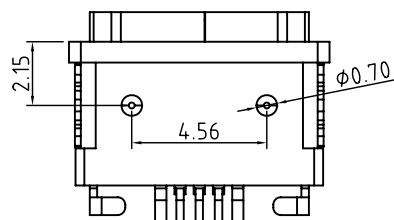
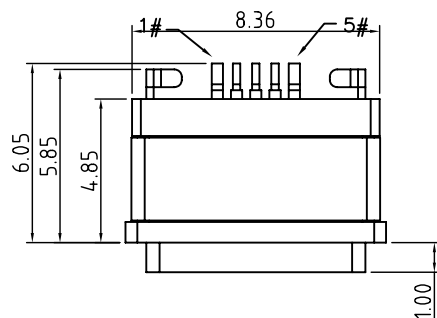
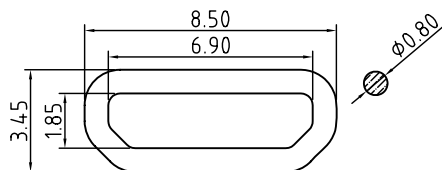
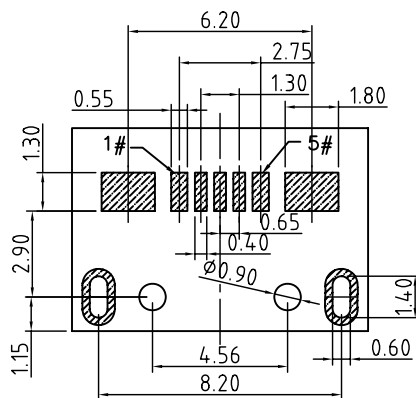
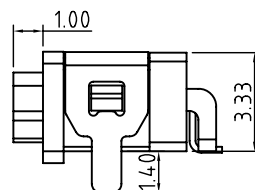
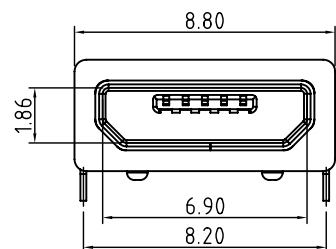


注：设计时，请注意公头插入时的距离，防止公头插不到底。



组装示意图



注：防水圈是圆形截面，直径为0.8mm的硅胶圈  
防水圈挤压量，由0.8mm挤压到0.4mm ~ 0.5mm, 防水效果好

- SPECIFICATIONS:
- ELECTRICAL CHARACTERISTICS:
    - RATING: 3A(PIN1&5),0.5A(PIN2&3&4);
    - CONTACT RESISTANCE: 30 mΩ MAX.(INITIAL);
    - DIELECTRIC WITHSTANDING: 500V AC MIN.;
    - INSULATION RESISTANCE: 1000MΩ MIN.;
  - DURABILITY: 5,000 CYCLES MIN.;
  - INSERTION FORCE: 3.5Kgf (35N) Max.;
  - EXTRACTION FORCE: 0.8Kgf (8N) Min.;
  - WATER PROOFNESS: THIS PRODUCT IS BASED ON IPX8
  - PLUG INTERFACE DIMENSIONS CONFORM TO USB2.0 SPEC.
  - PACKAGING: TAPE & REEL.

RECOMMENDED PCB LAYOUT (TOP VIEW)

THICKNESS T=1.0mm  
DEFAULT TOLERANCE +/-0.05

Contact Number	Signal Name	Remarks
1#	VBUS	Power
2#	D-	Date-
3#	D+	Date+
4#	ID	Reserve or Gound
5#	GND	Gound

3	Shell	1	SUS304R-1/2H Ni Plating T=0.25mm	
2	Contact	5	Phosphor bronze C5191R-EH Au/Ni Plating T=0.20mm	
1	Housing	1	PA10T (G.F30%)	
ITEM	PARTNAME	Q'TY	FINISH	NOTE



深圳市华宇创精密电子有限公司

TOLERANCE: X.X ±0.30 X.XX ±0.25 X.XXX ±0.15 X' ±2' X.X' ±0.5'	DRAWN BY :	DATE :	PART NAME:
	陈一鸣	2014-02-23	MICRO USB B口 5P SMT 短头前插后贴
UNIT: mm [inch] SCALE:1:1 SIZE: A4	CHECKED BY:	DATE :	PART NO.
	马跃	2014-02-23	HVCW291-USB05-485B
	APPROVED BY:	DATE :	DRAW NO:
	邱敏	2014-02-23	HVC-2106222028
			SHEET NO. 1 OF 1