

NOTES:

SPECIFICATION:

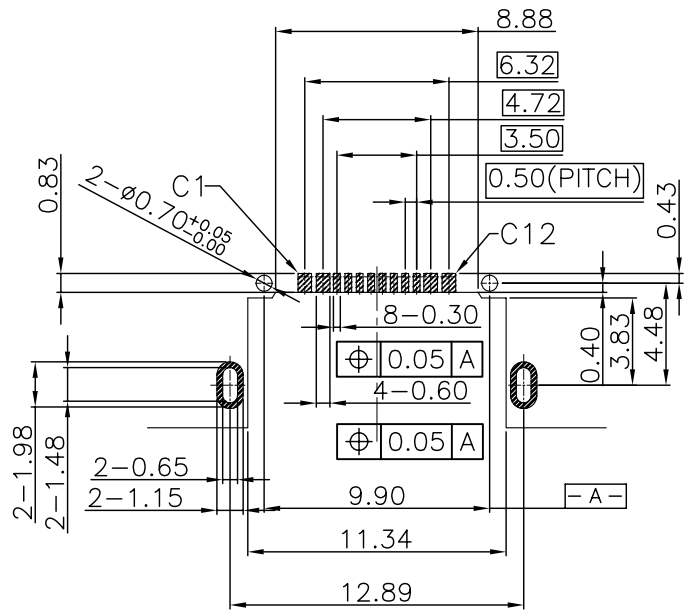
1. CURRENT RATING: 3.0A MAX
2. DIELECTRIC WITHSTAND VOLTAGE: 100VAC
3. TEMPERATURE RANGE: -30 °C ~ 85 °C
4. CONTACT RESISTANCE: 40 MILLIONHM MAX
5. INSULATION RESISTANCE: 100 MEGOHMS MIN.
6. INSERTION FORCE : 5N~20N
7. UNMATING FORCE: 8N~20N
8. DURABILITY:10,000 CYCLES

4	Shell2	1	SUS304 Ni Plating T=0.20mm	Ni:40~120u"
3	Shell	1	PA9T(G.F30%)	
2	Contact	5	Copper alloy C7025 Au/Ni Plating Au:1u" Ni:50~80u" Contact area:3u"	T=0.15mm
1	Housing	1	PA9T(G.F30%)	
ITEM	PART NAME	Q'TY	FINISH	NOTE



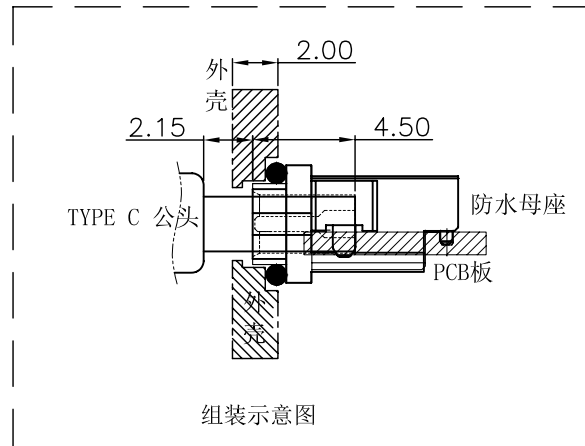
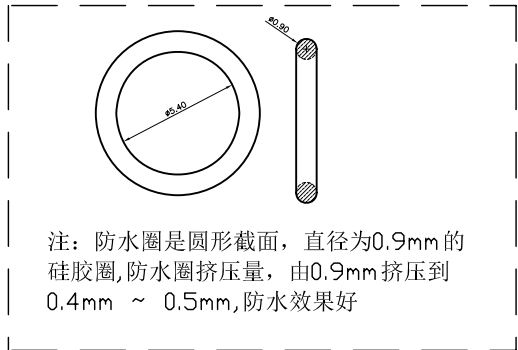
深圳市华宇创精密电子有限公司

<b>TOLERANCE:</b> X.X ±0.30 X.XX ±0.25 X.XXX ±0.15 X.' ±2' X.X' ±0.5'	DRAWN BY : 陈一鸣 DATE : 2014-02-23	PART NAME: USB TYPE C 母座防水 单排16P 沉板SMT
	CHECKED BY: 马跃 DATE : 2014-02-23	PART NO. HYCW262-USBC16-175B MOLD NO.
UNIT: mm [inch] SCALE:1:1 SIZE: A4	APPROVED BY: 邱敏 DATE : 2014-02-23	DRAW NO: HYC-2105251617 SHEET NO. 1 OF 1



RECOMMENDED PCB LAYOUT(TOP VIEW)

THICKNESS T=1.0mm  
DEFAULT TOLERANCE+/-0.05




INTERFACE(FRONT VIEW)


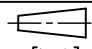
A1	A2	A3	A4	A5	A6	A7	A8	A9	A10	A11	A12
GND			VBUS	CC1	DP1	DN1	SBU1	VBUS			GND
GND			VBUS	SBU2	DN2	DP2	CC2	VBUS			GND
B12	B11	B10	B9	B8	B7	B6	B5	B4	B3	B2	B1

PIN ASSIGNMENT

PIN NO.	A1&B12	A4&B9	B8	A5	B7	A6	A7	B6	A8	B5	A9&B4	A12&B1
SINGAL NAME	GND	VBUS	SBU2	CC1	DN2	DP1	DN1	DP2	SBU1	CC2	VBUS	GND
PCB PAD NO.	C1	C2	C3	C4	C5	C6	C7	C8	C9	C10	C11	C12



## 深圳市华宇创精密电子有限公司

<p><b>TOLERANCE:</b> X.X ±0.30 X.XX ±0.25 X.XXX ±0.15 X.' ±2' X.X' ±0.5'</p> <p> </p> <p>UNIT: mm [inch] SCALE:1:1 SIZE: A4</p>	DRAWN BY : 陈一鸣	DATE : 2014-02-23	PART NAME: USB TYPE C 母座防水 单排16P 沉板SMT
	CHECKED BY: 马跃	DATE : 2014-02-23	PART NO. HYCW262-USBC16-175B
APPROVED BY: 邱敏	DATE : 2014-02-23	DRAW NO: HYC-2105251617	SHEET NO. 1 OF 1