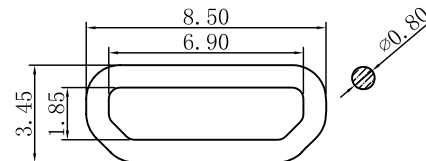
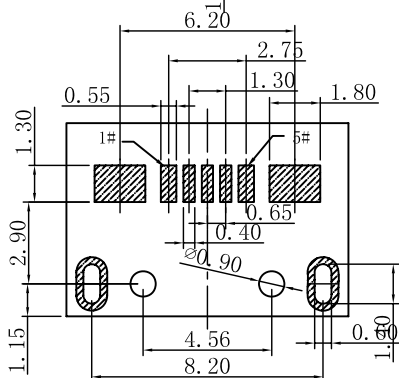
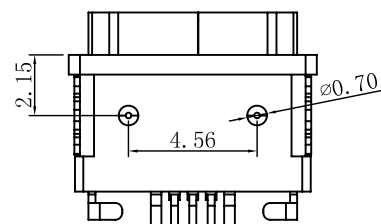
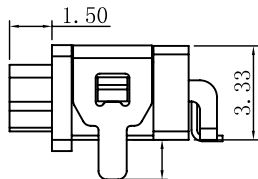
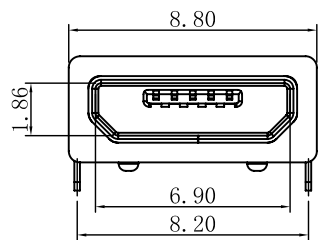


注：设计时，请注意公头插入时的距离，防止公头插不到底。



注：防水圈是圆形截面，直径为0.8mm的硅胶圈  
防水圈挤压量，由0.8mm挤压到0.4mm ~ 0.5mm, 防水效果好



RECOMMENDED PCB LAYOUT (TOP VIEW)

THICKNESS T=1.0mm  
DEFAULT TOLERANCE+/-0.05



SPECIFICATIONS:

- ELECTRICAL CHARACTERISTICS:
  - RATING: 3A (PIN1&5), 0.5A (PIN2&3&4);
  - CONTACT RESISTANCE: 30 mΩ MAX. (INITIAL);
  - DIELECTRIC WITHSTANDING: 500V AC MIN.;
  - INSULATION RESISTANCE: 1000MΩ MIN.;
- DURABILITY: 5,000 CYCLES MIN.;
- INSERTION FORCE: 3.5Kgf (35N) Max.;
- EXTRACTION FORCE: 0.8Kgf (8N) Min.;
- WATER PROOFNESS: THIS PRODUCT IS BASED ON IPX8
- PLUG INTERFACE DIMENSIONS CONFORM TO USB2.0 SPEC.
- PACKAGING: TAPE & REEL.

Contact Number	Signal Name	Remarks
1#	VBUS	Power
2#	D-	Date-
3#	D+	Date+
4#	ID	Reserve or Ground
5#	GND	Ground

3	Shell	1	SUS304R-1/2H Ni Plating T=0.25mm	
2	Contact	5	Phosphor bronze C5191R-EH Au/Ni Plating T=0.20mm	
1	Housing	1	PA10T (G.F30%)	
ITEM	PARTNAME	Q' TY	FINISH	NOTE



深圳市华宇创精密电子有限公司

<b>TOLERANCE:</b> X.X ±0.30 X.XX ±0.25 X.XXX ±0.15 X' ±2' X.X' ±0.5'	<b>DRAWN BY :</b> 陈一鸣	<b>DATE :</b> 2014-02-23	<b>PART NAME:</b> MICRO USB B口 5P带防水胶圈 长头前插后贴
	<b>CHECKED BY:</b> 马跃	<b>DATE :</b> 2014-02-23	<b>PART NO.</b> HVCW240-USB05-333B <b>MOLD NO.</b>
<b>UNIT:</b> mm [inch] <b>SCALE:</b> 1:1 <b>SIZE:</b> A4	<b>APPROVED BY:</b> 邱敏	<b>DATE :</b> 2014-02-23	<b>DRAW NO:</b> HYC-USB19092418 <b>SHEET NO.</b> 1 OF 1