

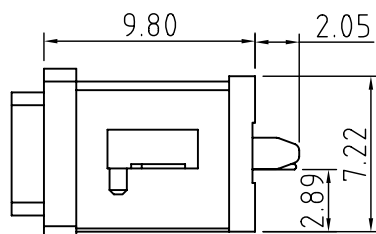
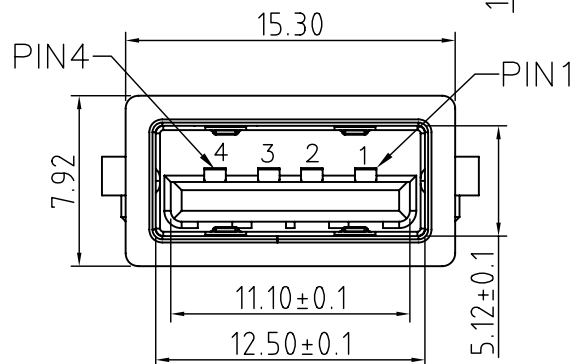
注：防水圈是圆形截面，直径为1.0mm的  
硅胶圈，防水圈挤压量，由1.0mm挤压到  
0.4mm ~ 0.5mm，防水效果好



NOTES:

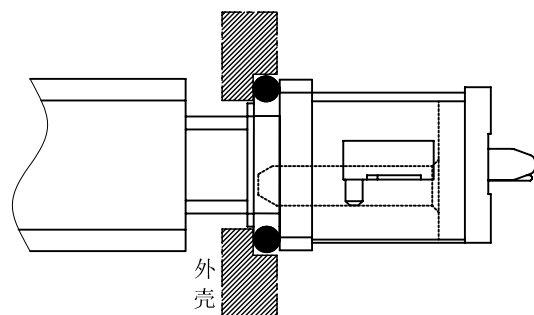
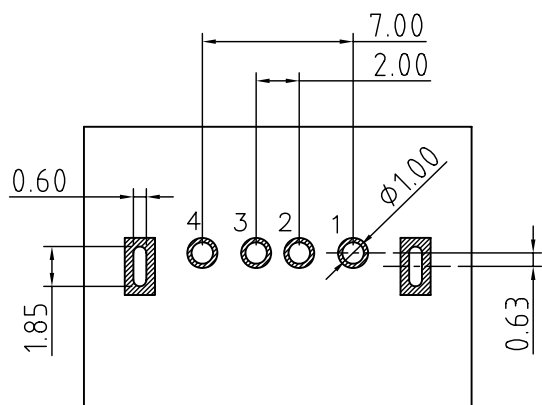
SPECIFICATION:

1. CURRENT RATING: 3.0A MAX
2. DIELECTRIC WITHSTAND VOLTAGE: 100VAC
3. TEMPERATURE RANGE: -30 °C ~ 85 °C
4. CONTACT RESISTANCE: 40 MILLIONHM MAX
5. INSULATION RESISTANCE: 100 MEGOHMS MIN.
6. INSERTION FORCE :8N~35N
7. UNMATING FORCE: 8N~35N
8. DURABILITY:1500 CYCLES



PIN ASSIGNMENT

PIN NO.	1	2	3	4
SINGAL NAME	VBUS	D-	D+	GND



RECOMMENDED PCB LAYOUT(TOP VIEW)  
DEFAULT TOLERANCE+/-0.05  
THICKNESS T=1.6mm

3	Shell	1	SUS 301 1/4H
3	PLASTIC Shell	1	PA9T&LCP (G. F30%)
2	Contact	4	BRASS C2680-EH Au/Ni Plating T=0.25mm
1	Housing	1	PA10T (G. F30%)
ITEM	PART NAME	Q' TY	FINISH



深圳市华宇创精密电子有限公司

<b>TOLERANCE:</b> X.X ±0.30 X.XX ±0.25 X.XXX ±0.15 X.' ±2' X.X' ±0.5'	DRAWN BY : 陈一鸣	DATE : 2014-02-23	PART NAME: USB 2.0 AF 立式带耳 带防水胶圈
	CHECKED BY: 马跃	DATE : 2014-02-23	PART NO. HYCW238-USBA04-980B
UNIT: mm [inch] SCALE:1:1 SIZE: A4	APPROVED BY: 邱敏	DATE : 2014-02-23	MOLD NO.
			DRAW NO: HYC-USB2105241619
			SHEET NO. 1 OF 1