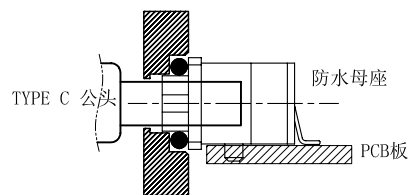
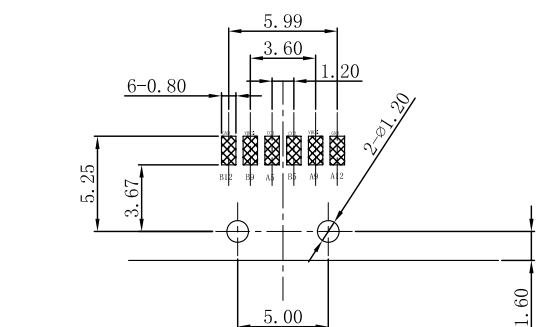
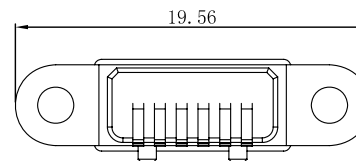
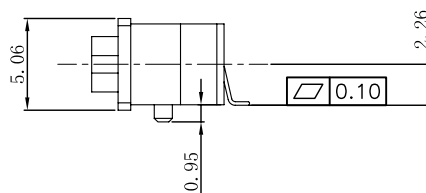
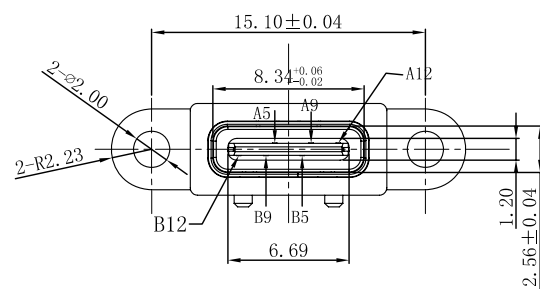


NOTES:

SPECIFICATION:

- CURRENT RATING: 3.0A MAX
- DIELECTRIC WITHSTAND VOLTAGE: 100VAC
- TEMPERATURE RANGE: -30 ° C ~ 85 ° C
- CONTACT RESISTANCE: 40 MILLIONHM MAX
- INSULATION RESISTANCE: 100 MEGOHMS MIN.
- INSERTION FORCE : 5N~20N
- UNMATING FORCE: 8N~20N
- DURABILITY: 5,000 CYCLES



组装示意图

Recommended P.C.B. Layout
Unspecified tolerance: ±0.05
(Top view)



A5	CC1	B12	GND
A9	VBUS	B9	VBUS
A12	GND	B5	CC2
PIN	SIGNAL NAME	PIN	SIGNAL NAME

5	Shell12	1	SUS301 Ni Plating T=0.20mm	Ni:40~120u ⁺ ;
4	Shell11	1	SUS301 Ni Plating T=0.25mm	Ni:40~120u ⁺ ;
3	Housing2	1	LCP (G. F30%)	
2	Contact	5	Phosphor bronze C5210R-EH Au/Ni Plating T=0.20mm	Ni:40~160u ⁺ ; Au:CONTACT AREA:3u ⁺ , OTHER AREA:G/F
1	Housing	1	PA9T (G. F30%)	
ITEM	PART NAME	Q' TY	FINISH	NOTE



深圳市华宇创精密电子有限公司

TOLERANCE: X.X ±0.30 X.XX ±0.25 X.XXX ±0.15 X' ±2' X.X' ±0.5'	DRAWN BY : 陈一鸣	DATE : 2014-02-23	PART NAME: USB TYPE C 防水母座 6P带耳SMT带柱
	CHECKED BY: 马跃	DATE : 2014-02-23	PART NO. HYCW225-USBC06-151B
 UNIT: mm [inch] SCALE:1:1 SIZE: A4	APPROVED BY: 邱敏	DATE : 2014-02-23	DRAW NO: HYC-USB1908152831
			SHEET NO. 1 OF 1