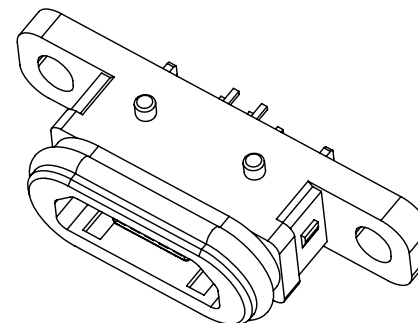


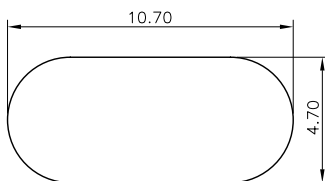
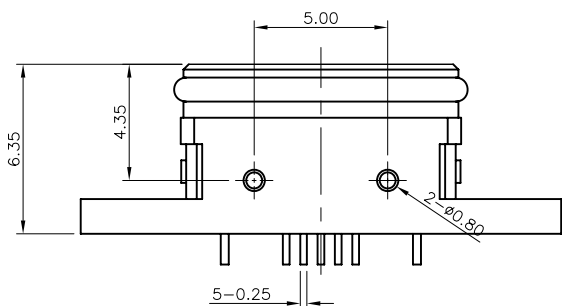
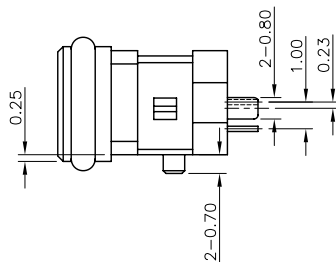
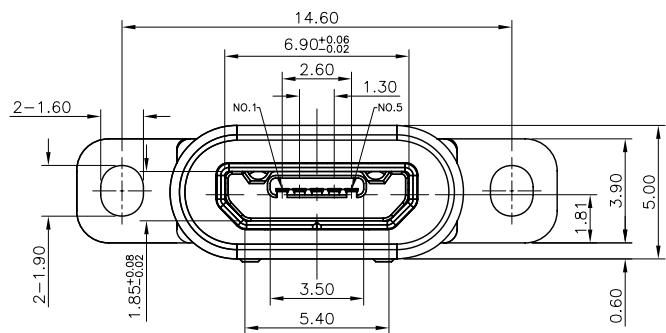
RECOMMENDED P.C.B. LAYOUT (TOP VIEW)
GENERAL TOLERANCE: ±0.05



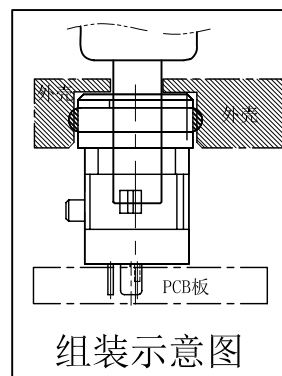
3D VIEW

SPECIFICATIONS:

1. ELECTRICAL CHARACTERISTICS:
 1.1. RATING: 1.5A;
 1.2. CONTACT RESISTANCE: 30 mΩ MAX.(INITIAL);
 1.3. DIELECTRIC WITHSTANDING: 500V AC MIN.;
 1.4. INSULATION RESISTANCE: 1000MΩ MIN.;
 2. DURABILITY: 5,000 CYCLES MIN.;
 3. INSERTION FORCE: 3.5Kgf (35N) Max.;
 4. EXTRACTION FORCE: 0.8Kgf (8N) Min;
 5. WATER PROOFNESS: THIS PRODUCT IS BASED ON IPX8.
 6. PLUG INTERFACE DIMENSIONS CONFORM TO USB2.0 SPEC.
 7. PACKAGING: TAPE & REEL.



开孔尺寸参考
组装外壳时需要打环润滑油



组装示意图

Contact Number	Signal Name	Remarks
1#	VBUS	Power
2#	D-	Date-
3#	D+	Date+
4#	ID	Reserve or Gound
5#	GND	Gound

NO.	DESCRIPTION	QTY	MATERIAL	REMARK
⑥	Oval ring	1	Rubber	Black
⑤	Glue	1	-----	Black
④	Inner shell	1	Copper alloy or stainless	Nickel plated
③	Terminal	5	Copper alloy, 0.15t	Gold Plated On Contact Area.
②	Outer shell	1	High temperature thermoplastic	Black
①	Body	1	High temperature thermoplastic	Black



深圳市华宇创精密电子有限公司

TOLERANCE: X.X ±0.30 X.XX ±0.25 X.XXX ±0.15 X' ±2' X.X' ±0.5'	DRAWN BY : 陈一鸣	DATE : 2014-02-23	PART NAME: MICRO USB 5P B口防水 带耳朵立式180°
	CHECKED BY: 马跃	DATE : 2014-02-23	PART NO. HYCW219-USB05-075B
UNIT: mm [inch] SCALE:1:1 SIZE: A4	APPROVED BY: 柯南	DATE : 2014-02-23	DRAW NO: HYC-USB19022817
			SHEET NO. 1 OF 1