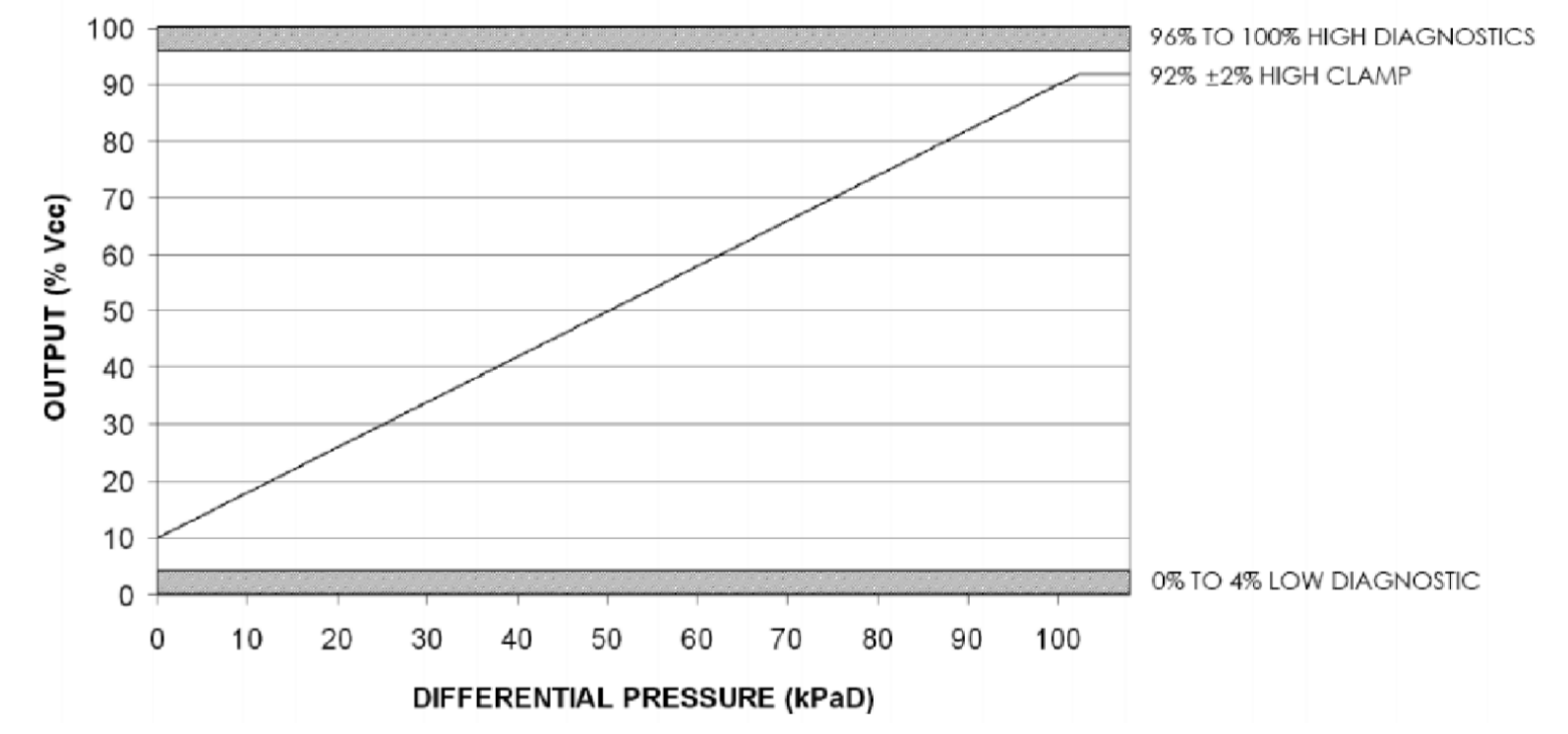


SPECIFICATIONS(规范):	
SUPPLY VOLTAGE (Vcc) (电源电压)	4.75 TO 5.25 VDC (5 VDC NOMINAL)
SUPPLY CURRENT (电源电流)	10mA MAX.
OPERATING TEMPERATURE RANGE(工作温度范围)	-40°C TO 135°C
INPUT PRESSURE RANGE(输入压力范围)	0 TO 100kPaD
DIFFERENTIAL PROOF PRESSURE(耐压差)	200 kPa
DIFFERENTIAL BURST PRESSURE(爆破压差)	300 kPa
PROOF PRESSURE(耐压)	300 kPa
BURST PRESSURE(爆破压力)	450 kPa
LOAD RESISTOR(负载阻抗)	5K OHM PULL UP TO SUPPLY
HIGH CLAMP RAIL(高钳位)	92% ±2% Vpwr
MOUNTING(安装)	传感器应垂直安装, 且输入端口向下, 安装倾角小于15度 MUST BE MOUNTED ON VEHICLE WITH PRESSURE PORTS DIRECTED VERTICALLY DOWNWARD ±15°
INITIAL ACCURACY(初始精度)	±2% Vcc FROM -40°C TO 135°C
AFTER AGING(耐久精度)	±3% Vcc FROM -40°C TO 135°C

NOMINAL OUTPUT CHARACTERISTICS

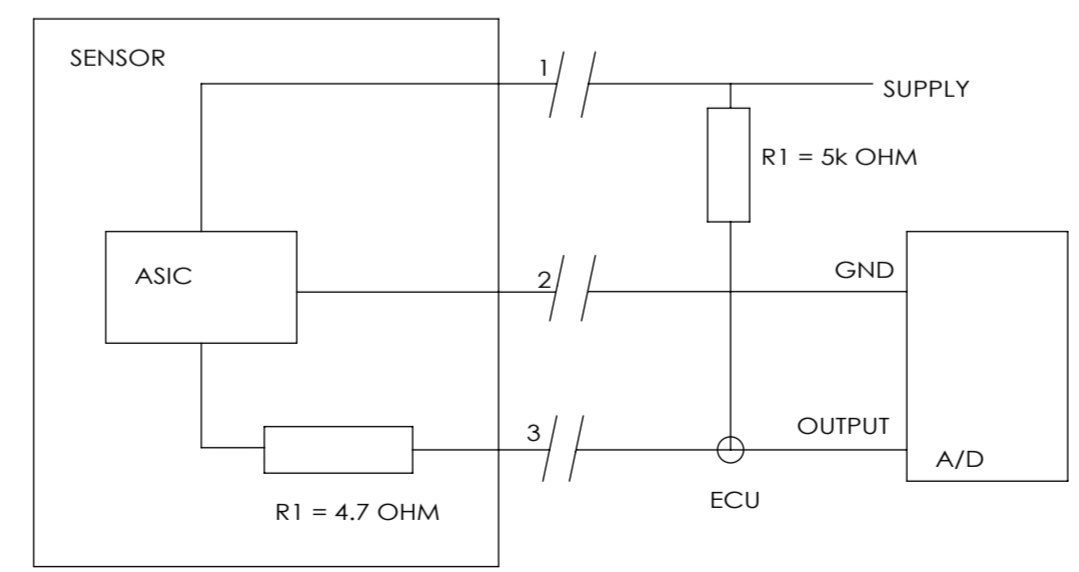


THE NOMINAL OUTPUT CURVE WILL BE EXPRESSED BY:  
 额定输出曲线:

$V_{out} = 0.8 \times DP + 10$   
 $V_{out} = \text{OUTPUT in \% } V_{supply}$   
 $V_{supply} = \text{SUPPLY VOLTAGE IN VOLTS DC}$   
 $V_{supply} = \text{直流供电电压}$   
 $DP = \text{MEAN (FILTERED) DIFFERENTIAL PRESSURE}$   
 $DP = \text{压差}$

NOTES:

- SENSATA TECHNOLOGIES NO: 31MPP8-2  
森萨塔科技零件号: 31MPP8-2
- SENSATA TECHNOLOGIES SERIAL NUMBER  
森萨塔科技序列号
- TWO DIMENSIONAL TRACKING SYSTEM  
追踪二维码
- TRACEABILITY CODE  
追踪编号
- SENSATA TECHNOLOGIES LOGO  
森萨塔科技商标
- MANUFACTURING SITE  
产地
- HOUSING CONNECTOR DESIGNED TO MATE WITH OEM-BRANDED TYCO 1717888-1 REVISION A. CUSTOMER IS RESPONSIBLE FOR CHECKING COMPATIBILITY WITH NON-OEM BRANDED TYCO 1813271-1. TERMINAL IS SILVER PLATED.  
接插件与A版 TYCO 1717888-1匹配, 客户负责检查与 TYCO 1813271-1的兼容性。端子表面镀银。
- SENSOR PERFORMANCE REQUIREMENTS ARE DEFINED BY SENSATA DOCUMENT 31MPP8-2-PSP. 森萨塔文件31MPP8-2-PSP定义了传感器性能要求。
- SENSATA DOCUMENT 31MPP8-2-PSP IS SUPERSEDED BY THE REQUIREMENTS ON THIS 31MPP8-2 ENVELOPE DRAWING. 31MPP8-2 ENV图纸上的要求具有更高优先级。



CIRCUIT  
电路

<b>ALL RIGHT RESERVED</b> NEITHER THIS PRINT NOR THE INFORMATION CONTAINED HEREON IS TO BE USED AGAINST THE INTERESTS OF SENSATA TECHNOLOGIES OR AGAINST THE INTERESTS OF ANY OF ITS AFFILIATED COMPANIES OR WHOLLY OWNED SUBSIDIARIES.		18 CHUANGXIN ROAD XINBEI DISTRICT CHANGZHOU CHINA
DRAWN S. KONG DATE 28-FEB-2017	INTERPRET DIMENSIONING AND TOLERANCING PER ASME Y14.5-2009, UNLESS OTHERWISE SPECIFIED DIMENSIONS ARE IN MILLIMETERS.	<b>Sensata Technologies</b>
ENGINEER J. YANG DATE 28-FEB-2017		TITLE <b>ENVELOPE DRAWING</b>
APPROVED Y. DENG DATE 28-FEB-2017	<b>TOLERANCES</b> LINEAR: X.X ±0.5, X.XX ±0.25, X.XXX ±0.100 ANGULAR: X.X° ±4°	SIZE A2 NUMBER 31MPP8-2-ENV REV A
APPROVED DATE	DO NOT SCALE DRAWING	METHOD THIRD ANGLE PROJECTION
	SCALE 2:1	SHEET 1 OF 1