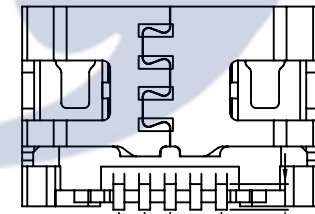
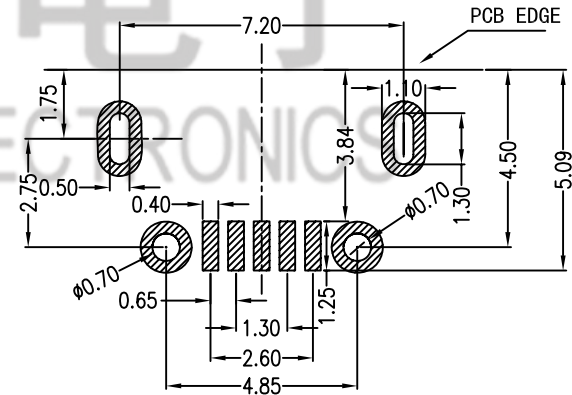


铜壳单铆合



不锈钢双铆合



PCB 图仅做参考

B: 胶舌黑色  
SU: 外壳材质不锈钢

						TOLERANCE	3	2021.6.4	更新图纸	WM	
						UNLESS SPECIFIED	2	2021.1.22	更新图纸		
						UP TO 5mm: ±0.1	ANGULAR	1	2018.4.4	原品名USB-111FA-B-CU B型改为USB-111FA B型 更新图面	
						ABOVE 5mm: ±0.2	±1°	NO	DATE	REVISIONS	BY APPD
3	CONTACT	PBS	5	Au-PLATED		TITLE: USB JACK	UNIT: MM	ROHS COMPLIANT	DWN		
2	SHELL	SUS	1	Sn-PLATED		MODEL: USB-111FA-B-SU	SCALE: 1:1	COMPLIANT	CHK'D		
1	HOUSING	LCP(UL94V-0)	1			HAOYU(HONGKONG)LIMITED				APPD	
NO.	PART NAME	MATERIAL	QTY	FINISHING		皓宇(香港)有限公司				PRO.AGL:	REV :A3