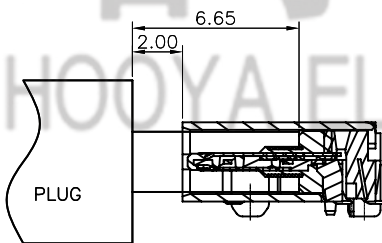
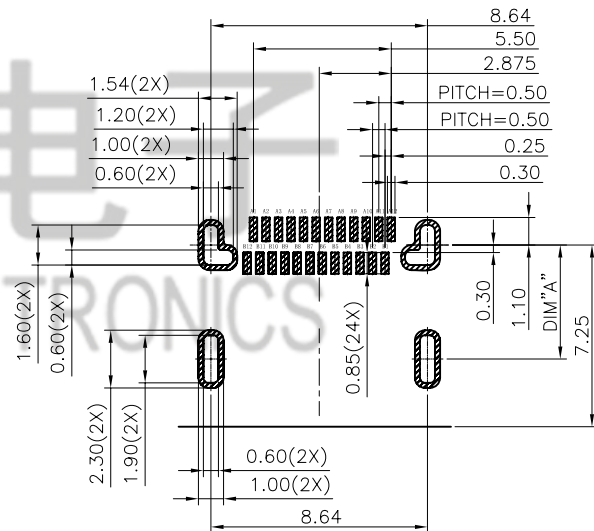


皓宇电子
HOUYA ELECTRONICS



B: 胶芯黑色
SU: 外壳不锈钢

PIN NUMBER	SIGNAL NAME	PIN NUMBER	SIGNAL NAME
A1	GND	B12	GND
A2	SSTXp1	B11	SSRXp1
A3	SSTXn1	B10	SSRXn1
A4	Vbus	B9	Vbus
A5	CC1	B8	SBU2
A6	Dp1	B7	Dn2
A7	Dn1	B6	Dp2
A8	SBU1	B5	CC2
A9	Vbus	B4	Vbus
A10	SSRXn2	B3	SSTXn2
A11	SSRXp2	B2	SSTXp2
A12	GND	B1	GND



NO.	PART NAME	MATERIAL	QTY	FINISHING	TOLERANCE UNLESS SPECIFIED	A3	2020.4.29	更新图纸	XYZ	
4	FRONT SHELL	STEEL	1	Ni-PLATED	UP TO 5mm: ±0.1	A2	2019.8.30	更新材质表	XYZ	
3	MID PLATE	STEEL	1	SN-PLATED	ANGULAR ±1°	A1	2019.7.25	更新图纸	XYZ	
2	CONTACTS	BRASS	24	Au-PLATED		NO	DATE	REVISIONS	BY APPD	
1	HOUSING	LCP(UL94V-0)	1	BLACK						
					TITLE: USB JACK	UNIT : MM		ROHS COMPLIANT	DWN	
					MODEL: USB-307-B-SU	SCALE: 1:1		CHK'D		
					HAOYU(HONGKONG)LIMITED				APPD	
					皓宇(香港)有限公司				PRO.AGL:	REV :A3