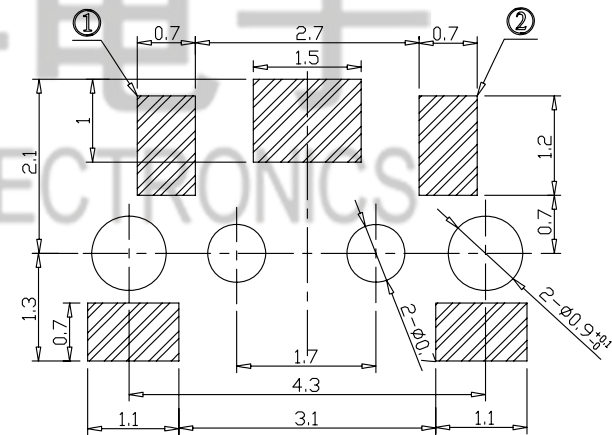
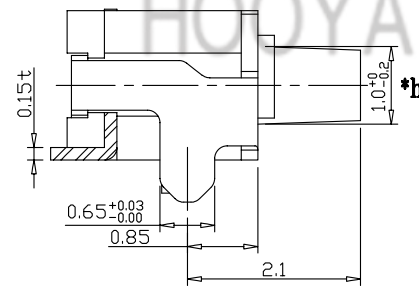
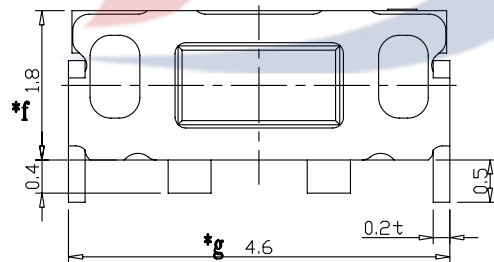





C : 操作力160gf

P. C. B MOUNTING PATTERN DIMENSION
the following soldering are recommended
for reflow soldering



8					TOLERANCE UNLESS SPECIFIED							
7												
6					UP TO 5mm: ±0.1	ANGULAR	A1	2019.11.9	更新型号	XYZ		
5	端子	PBS	1	Ag-PLATED	ABOVE 5mm: ±0.2	±1°	NO	DATE	REVISIONS	BY	APPD	
4	底座	LCP	1	WHITE	TITLE: SLIDE SWITCH		UNIT : MM		ROHS COMPLIANT	DWN		
3	簧片	SUS	2	Ag-PLATED	MODEL: TS-1114CE-C		SCALE: 1:1		CHK'D			
2	按钮	LCP	1	BLACK	 HAOYU(HONGKONG)LIMITED 皓宇(香港)有限公司		APPD					
1	盖板	PBS	1	Ag-PLATED					PRO.AGL:	 	REV :A1	
NO.	PART NAME	MATERIAL	QTY	FINISHING								