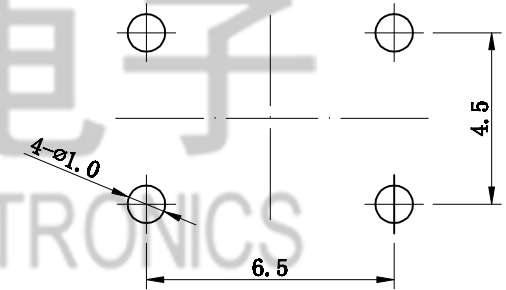
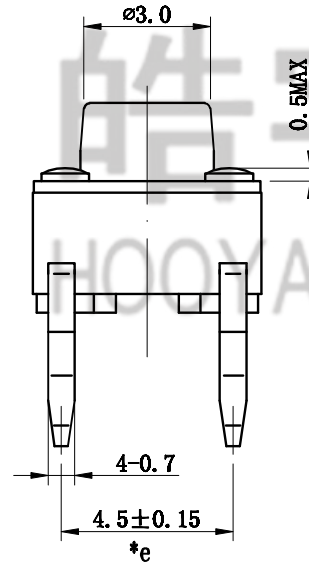
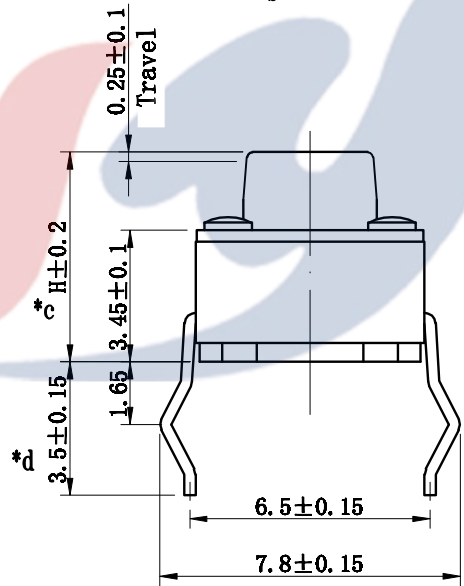
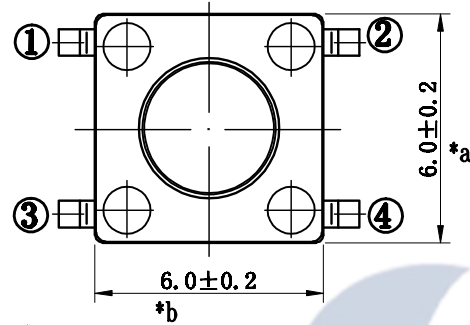
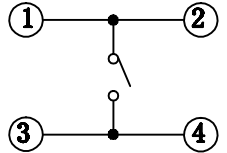


SCHEMATIC



P.C.B LAND DIMENSION

H=50mm  
E: 操作力250gf

由 Autodesk 教育版产品制作

由 Autodesk 教育版产品制作

				TOLERANCE UNLESS SPECIFIED							
				UP TO 5mm: ±0.1	ANGULAR ±1°	1					
				ABOVE 5mm: ±0.2		NO	DATE	REVISIONS		BY	APPD
4	CONTACT FOOT	BRASS	4	Ag-Plated	TITLE: TACT SWITCH		UNIT : MM	ROHS COMPLIANT	DWN		
3	COVER	IRON	1	Ni-Plated	MODEL: TC-00104-050E		SCALE: 1:1		CHK'D		
2	BUTTON	PA66	1		HAOYU(HONGKONG)LIMITED 皓宇(香港)有限公司				APPD		
1	HOUSING	PA66	1								
NO.	PART NAME	MATERIAL	QTY	FINISHING				PRO.AGL:			REV:A0