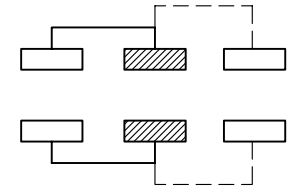
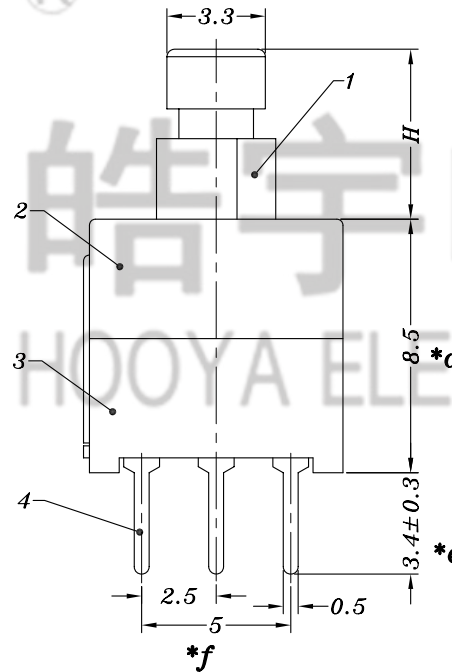
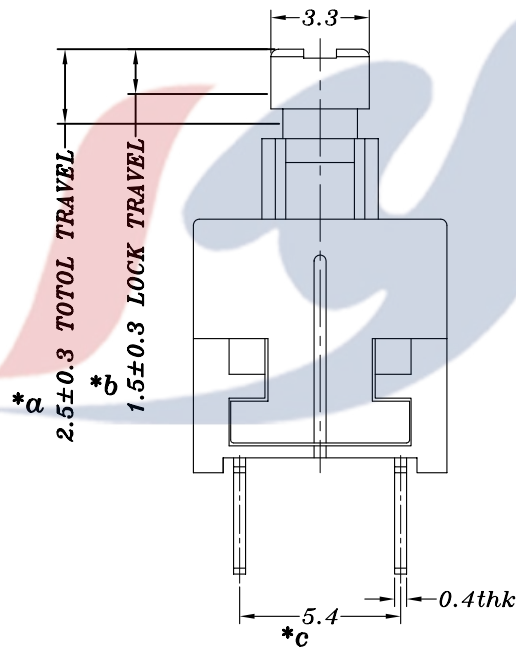


P.C.B LAYOUT



SCHEMATIC



SPECIFICATION

1. Rating: DC 12V 0.3A
2. Function: 2P2T
3. Contact Resistance: $\leq 70\text{m}\Omega\text{MAX}$
4. Operating Force: $180\pm 50\text{gf}$, $250\pm 80\text{gf}$
5. Life test: 10,000 cycles

| KNOB H | | | | C |
|--------|-------|-----|-----|---------|
| 4.5 | 5.7 | 6.5 | 9.0 | 3.3*3.3 |
| 9.5 | 11.25 | 12 | 14 | |
| 14.5 | 14.7 | 16 | | |

S: 有锁
E: 力度250gf , 6.5C: 柄高6.5mm, C: 3.3*3.3胶头

| NO. | PART NAME | MATERIAL | QTY | FINISHING | TOLERANCE UNLESS SPECIFIED | | AO 2017.06.01 | | 首次发行 | | GYW | |
|-----|-------------------|------------------|-----|--------------------|------------------------------|-----------------------|---------------|----------------|-----------|--|-----|---------|
| | | | | | UP TO 5mm: ± 0.1 | ANGULAR $\pm 1^\circ$ | NO | DATE | REVISIONS | | BY | APPD |
| 7 | PB22E85 CAM STICK | SUS | 1 | WASHING | | | | | | | | |
| 6 | PB22E85 SPRING | SUS | 1 | WASHING | | | | | | | | |
| 5 | PB22E85 CONTACT | CLP85 | 2 | Ag CLAD | | | | | | | | |
| 4 | PB22E85 TERMINAL | PA66/0.4mm BRASS | 2 | BLACK/Ag PLATED | TITLE: PUSH SWITCH | | UNIT : MM | ROHS COMPLIANT | DWN | | | |
| 3 | PB22E85 CASE | PA66 | 1 | BLACK | MODEL: PB-22E85PA-S-6.5C-E-W | | SCALE: 5:1 | | CHK'D | | | |
| 2 | PB22E85 COVER | PA66 | 1 | BLACK/蓝灰色 | | | | | APPD | | | |
| 1 | PB22E85-HC KNOB | PA66 | 1 | WHITE/YELLOW/BLACK | | | | | PRO.AGL: | | | REV :AO |



HAOYU(HONGKONG)LIMITED
皓宇(香港)有限公司