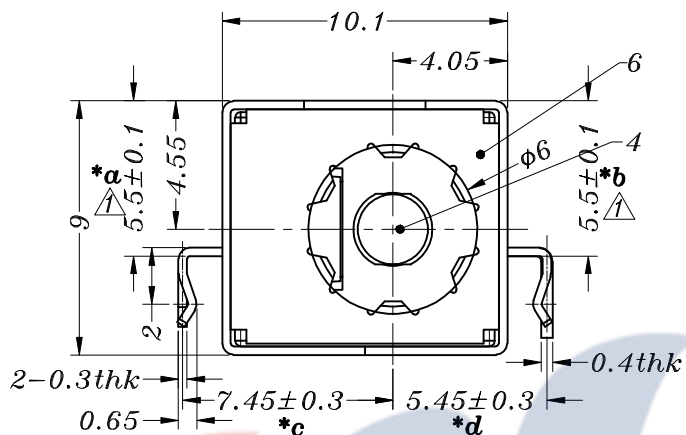
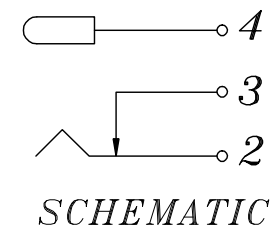
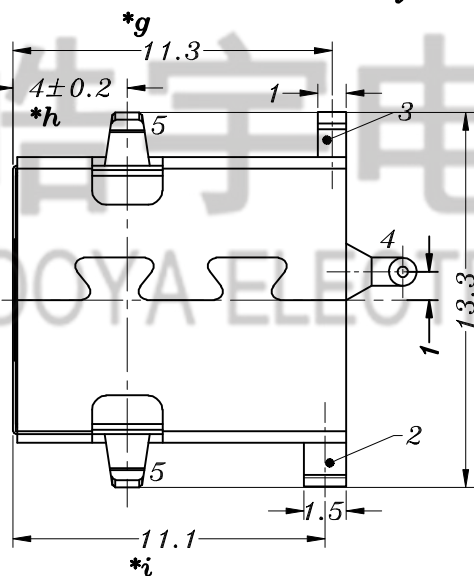
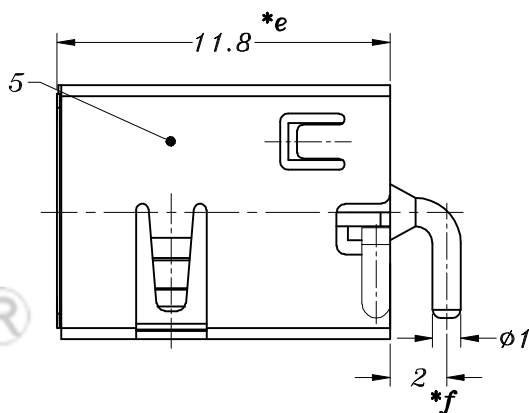


HAOYU



P.C.B LAYOUT
TOP VIEW



SPECIFICATION

1. Rating: DC 12V 7A;
2. Contact Resistance: $\leq 0.03 \Omega$ MAX;
3. Insulation resistance: $\geq 100M \Omega$ (DC250V);
4. Withstand voltage :500VAC;
5. Insertion and extraction force: 3~40N;
6. Life test: 5,000 cycles.

PIN	φ1.65	φ2.0	φ2.5
APPD.			

NO.	PART	NAME	MATERIAL	QTY	FINISHING
7	FIXED PIECE		SUS	1	WASHING
6	COVER		SUS	1	Ni PLATED
5	COAT		SUS	1	Ni PLATED
4	PING		BRASS	1	Ni PLATED
3	CURVE PIECE		BRASS	1	Ag PLATED
2	SPRING		PBS	1	Ag PLATED
1	CASE		LCP	1	

TOLERANCE UNLESS SPECIFIED		A2	2018.11.15	修改 "a" "b" 管控位置	GYW
		A1	2017.4.18	更新开孔尺寸	GYW
UP TO 5mm: ±0.1		A0	2016.9.7	初版	GYW
ABOVE 5mm: ±0.2		NO	DATE	REVISIONS	BY APPD
TITLE:DC JACK		UNIT :	MM	ROHS COMPLIANT	DWN
MODEL: DC-511 2.0		SCALE:	4:1	CHK'D	
HAOYU(HONGKONG)LIMITED 皓宇(香港)有限公司		APPD			
		PRO.AGL:		REV :A2	