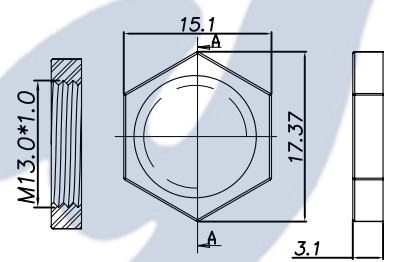
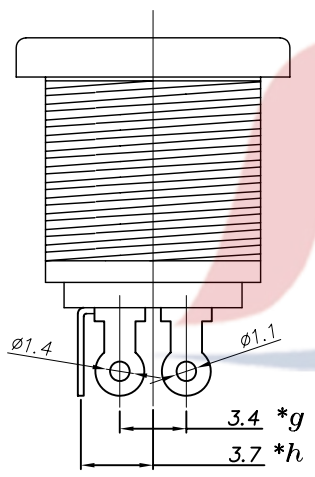
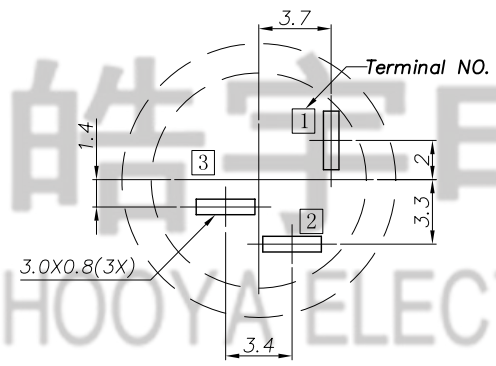


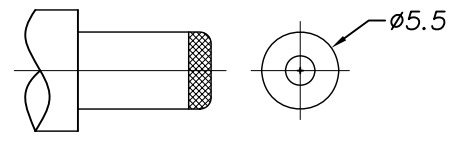
□ : TERMINAL NO.



Plastic Nut



Metal Nut



DC MATE PLUG

皓宇电子
HAOYU ELECTRONICS

RECOMMENDED P. C. B. LAYOUT
UNSPECIFIED TOLERANCE: ±0.05
(BOTTOM VIEW)

| Model No. | | | |
|-----------|------|-------|------|
| PIN | ø2.0 | ø2.35 | ø2.5 |

| NO. | PART NAME | MATERIAL | QTY | FINISHING |
|-----|-----------------------|-----------------|-----|-----------|
| 7 | NUT | STEEL | 1 | Ni-PLATED |
| 6 | SHUNT TERMINAL ③ | BRASS | 1 | SN-PLATED |
| 5 | TIP SPRING ② | STAINLESS STEEL | 1 | SN-PLATED |
| 4 | CENTER PIN TERMINAL ① | BRASS | 1 | SN-PLATED |
| 3 | CENTER PIN ① | COPPER ALLOY | 1 | NI-PLATED |
| 2 | COVER | PF | 1 | |
| 1 | HOUSING | PBT | 1 | |

| TOLERANCE UNLESS SPECIFIED | | | | | | | | | |
|--------------------------------------|-------------|----|------|------------|----------------|----------|-------|---------|--|
| UP TO 5mm: ±0.1 | ANGULAR ±1° | 1 | | | | | | | |
| ABOVE 5mm: ±0.2 | | NO | DATE | REVISIONS | | BY | APPD | | |
| TITLE: DC JACK | | | | UNIT : MM | ROHS COMPLIANT | DWN | CHK'D | | |
| MODEL: DC-022 2.0 | | | | SCALE: 1:1 | | APPD | | | |
| HAOYU(HONGKONG)LIMITED 皓宇(香港)有限公司 | | | | | | PRO.AGL: | | REV :A0 | |