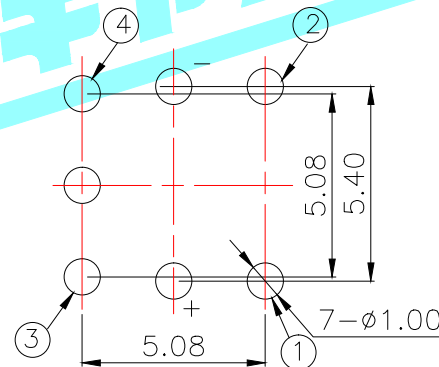
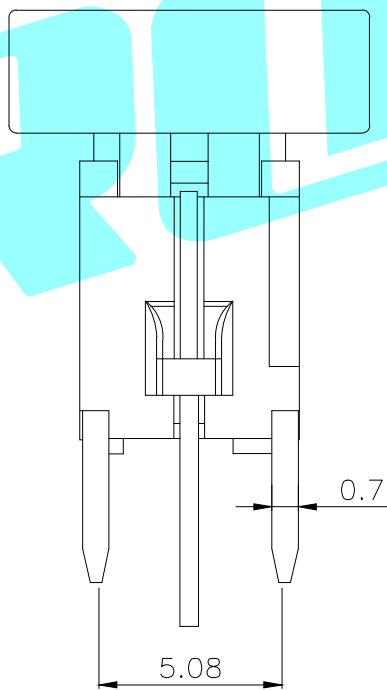
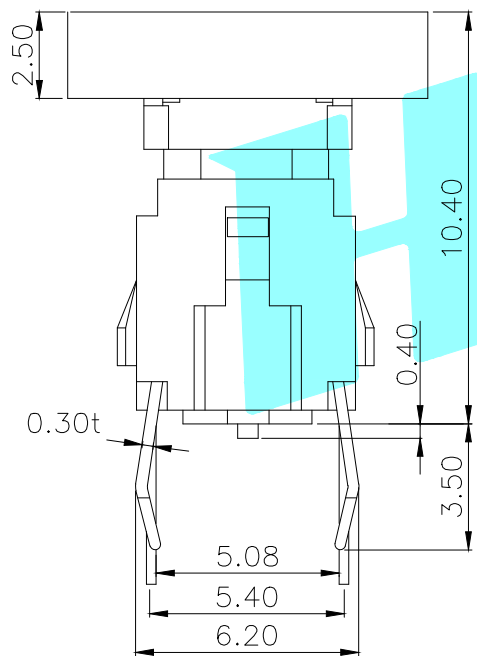
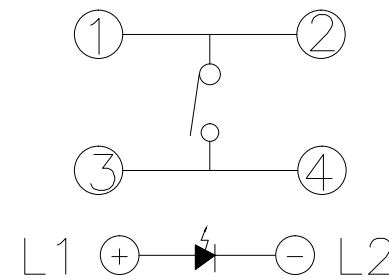


LED colour(LED颜色)	Part No. 料号
Whiter(白色)	K6-6147D-01
Red(红色)	K6-6147D-02
Blue(蓝色)	K6-6147D-03
Green(绿色)	K6-6147D-04
Yellow(黄色)	K6-6147D-05
Orange(橙色)	K6-6147D-06



PCBLayout(Pattern Side)



Circuit Diagram

②	Terminal	—	3	Phosphor bronze	Au Plating	—
①	Housing	—	1	Nylon	Black	—
ITEM	PART NAME	TER'NO.	QTY.	MATERIAL	FINISHING	REMARK

APPROVALS			DATE	HRO 韩荣® ELECTRONICS CO.,LTD			
DRAWN	J.X.Zhang	2013/11/11					
CHECKED			TITLE:	LED Tact Switch			
APPROVALS			PART NO.	K6-6147D			
TOLERANCES ARE	30~以上	±0.30	ANGLE	UNIT:	mm		
	10~30	±0.20		SCALE:	1:1		
	5~10	±0.15		DRAWING NO.			
~ 5	±0.10	±2°	PROJ:				
ECN NO.	REV.	DATE.	DESCRIPTION.	CHANGE.	CHECK.	APPRO.	SHEET 1 OF 1

ECN NO.	REV.	DATE.	DESCRIPTION.	CHANGE.	CHECK.	APPRO.
	A		NEW			