

NOTE:

1. MATERIAL:

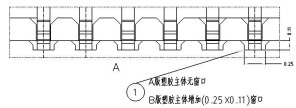
HOUSING: LCP (UL94 V-0), COLOR: NATURAL.
 CONTACTS: COPPER ALLOY.
 PEG: COPPER ALLOY.
 ACTUATOR: LCP (UL94-V0), COLOR:BLACK

2. RATING:

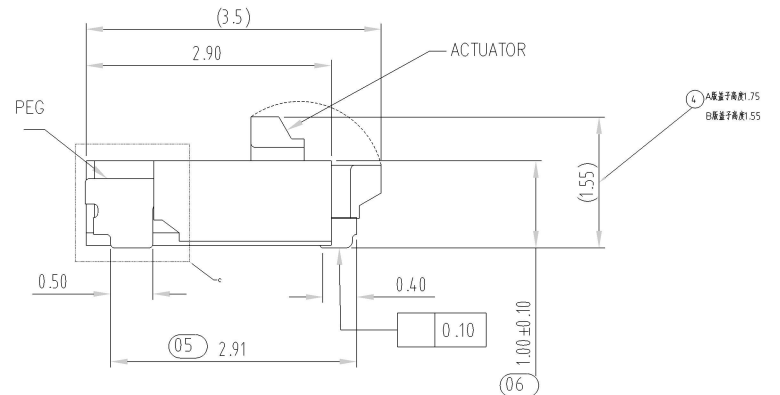
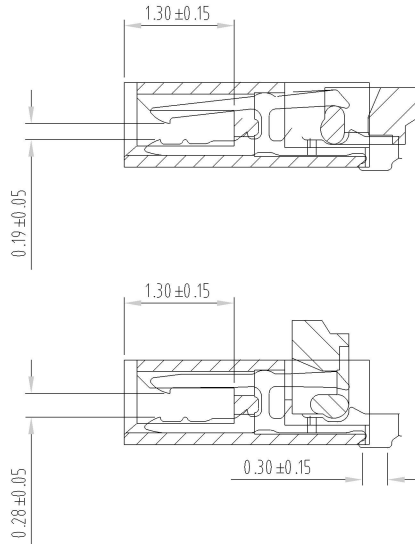
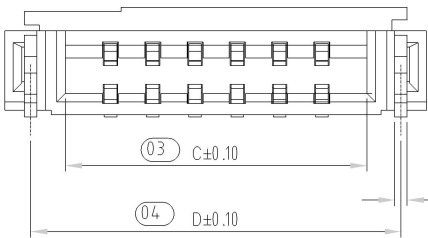
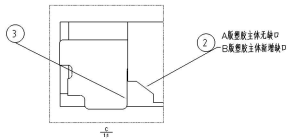
OPERATING VOLTAGE: 50Vrms AC.
 CURRENT RATING: 0.5A.
 OPERATING TEMPERATURE: -55° C~+85° C.
 OPERATING HUMIDITY RANGE: RELATIVE HUMIDITY 90% MAX.(NO CONDENSATION)
 STORAGE TEMPERATURE RANGE: -10° C~+50° C.
 STORAGE HUMIDITY RANGE: RELATIVE HUMIDITY 90% MAX.(NO CONDENSATION)

3. Part Number:

带 (xx) 为重点管控尺寸


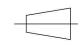


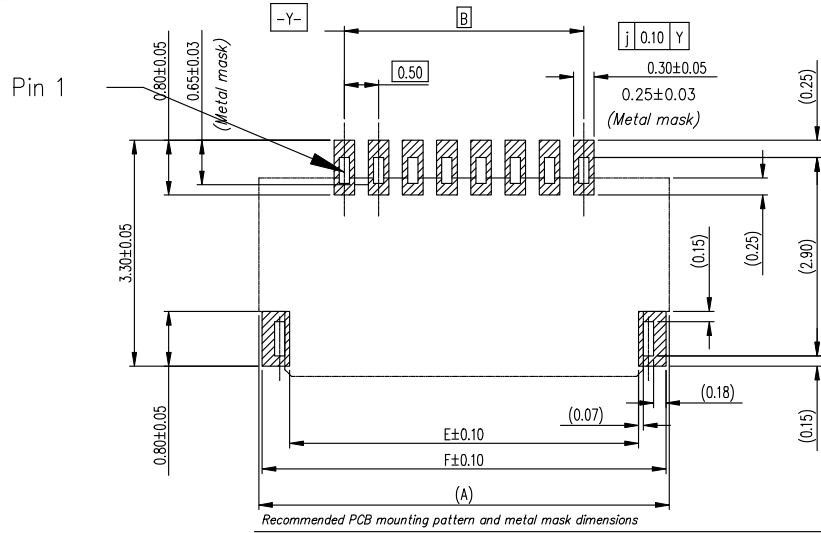
A 板贴片焊脚中心垂直度
B 板贴片焊脚垂直度



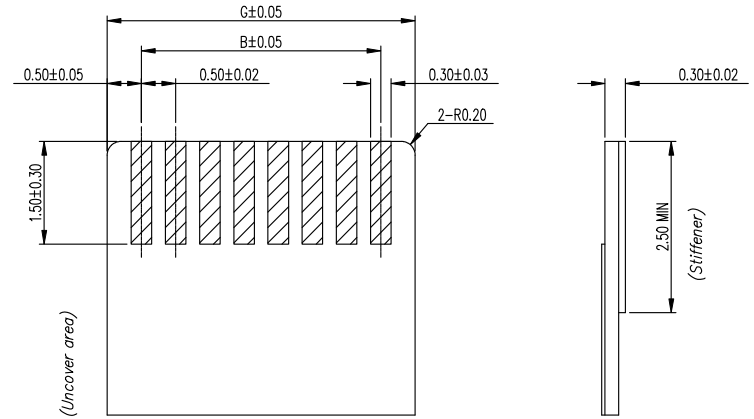
本产品符合 RoHS SONY00259 OHF 其它
 ※禁止使用本公司所禁用有毒物质

B	① 塑胶主体增加(0.25x0.11)穿孔	2021051001	liupeng	2021/5/10
	② 塑胶主体新增穿孔			
A	③ 贴片焊脚中心垂直度	NEW DRAWING	liupeng	
	④ 贴片焊脚垂直度			
REV	DESCRIPTION	ECN.NO	BY	DATE

- TOLERANCES - UNLESS OTHERWISE SPECIFIED		深圳市金航标电子有限公司 KH-FPC0.5-H1.0SMT-10P-QCHF		www.kinghelm.com.cn 0755-28190160	
公差参考表		 		TITLE: FPC 0.5Pitch 1.0H 2IF R/A Connector	
X.X	:±0.30	X.X°	:±5°	APPD: 核准:	DWG NO: 产品料号: FP242AH-0XXG10M
X.XX	:±0.20	X.XX°	:±2°	CHECK: 校對:	DATE
X.XXX	:±0.10	X.XXX°	:±1°	DRAW: 繪圖: LIUPENG	SCALE
				20111209	UNIT
				1:1	PAGE
				rmm	1/2



Recommended metal mask thickness: $t=0.1$



Recommended FPC/FFC Dimensions

50	27.00	24.50	25.57	26.39	26.10	26.90	25.50
45	24.50	22.00	23.07	23.89	23.60	24.40	23.00
40	22.00	19.50	20.57	21.39	21.10	21.90	20.50
34	19.00	16.50	17.57	18.39	18.10	18.90	17.50
32	18.00	15.50	16.57	17.39	17.10	17.90	16.50
30	17.00	14.50	15.57	16.39	16.10	16.90	15.50
28	16.00	13.50	14.57	15.39	15.10	15.90	14.50
26	15.00	12.50	13.57	14.39	14.10	14.90	13.50
24	14.00	11.50	12.57	13.39	13.10	13.90	12.50
22	13.00	10.50	11.57	12.39	12.10	12.90	11.50
20	12.00	9.50	10.57	11.39	11.10	11.90	10.50
18	11.00	8.50	9.57	10.39	10.10	10.90	9.50
16	10.00	7.50	8.57	9.39	9.10	9.90	8.50
14	9.00	6.50	7.57	8.39	8.10	8.90	7.50
12	8.00	5.50	6.57	7.39	7.10	7.90	6.50
11	7.50	5.00	6.07	6.89	6.60	7.40	6.00
10	7.00	4.50	5.57	6.39	6.10	6.90	5.50
8	6.00	3.50	4.57	5.39	5.10	5.90	4.50
7	5.50	3.00	4.07	4.89	4.60	5.40	4.00
6	5.00	2.50	3.57	4.39	4.10	4.90	3.50
5	4.5	2.00	3.07	3.89	3.60	4.50	3.00
4	4.00	1.50	2.57	3.39	3.10	3.90	2.50
Number of Contacts	DIM A	DIM B	DIM C	DIM D	DIM E	DIM F	DIM G

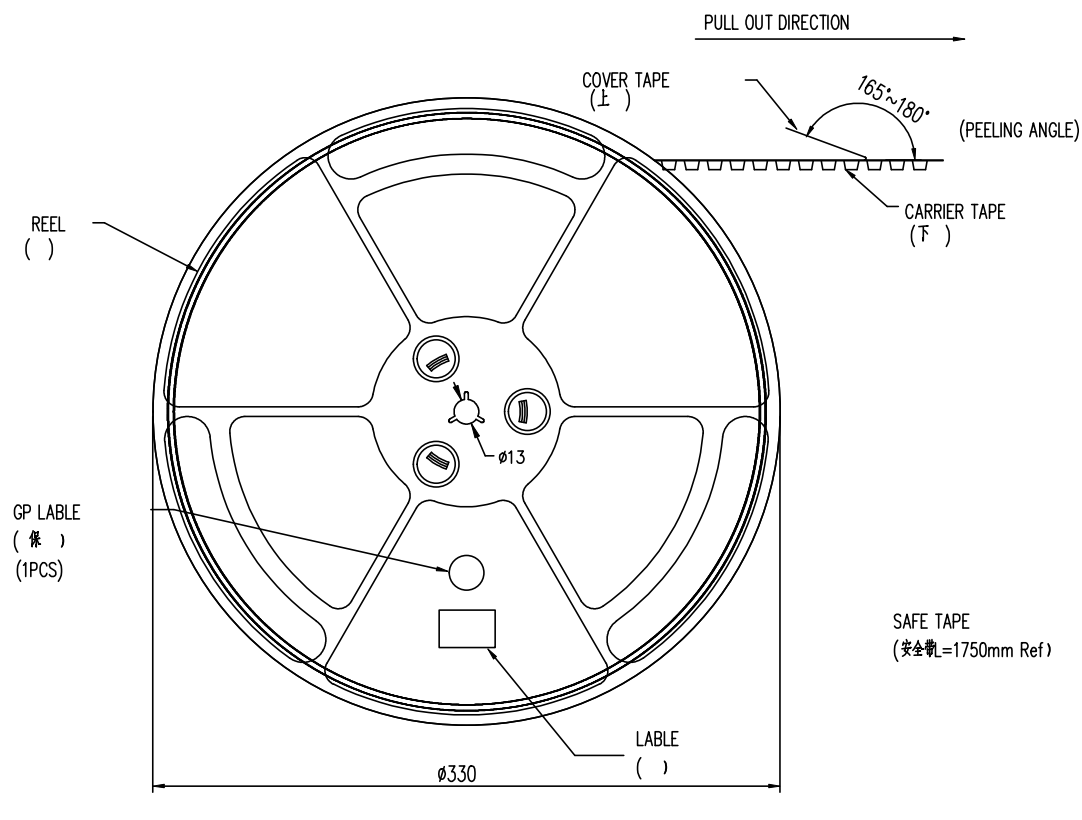
- TOLERANCES - UNLESS OTHERWISE SPECIFIED 公差 表		深圳市金航标电子有限公司 www.kinghelm.com.cn	
		KH-FPC0.5-H1.0SMT-10P-QCHF	
		0755-28190160	
		TITLE: FPC 0.5Pitch 1.0H ZIF 品名: R/A Connector	
X.X : ±0.30	X.X* : ±5°	APPD: 核准:	DWG NO: 品料: FP242AH-0XXG10M
X.XX : ±0.20	X.XX* : ±2°	CHECK: 校:	DATE
X.XXX : ±0.10	X.XXX* : ±1°	DRAW: :	SCALE
		LIU	UNIT
			PAGE
			2/2

本产品符合 RoHS 符合 SONY00259 符合 HF 其它
 *禁止使用本公司所禁用有毒物质

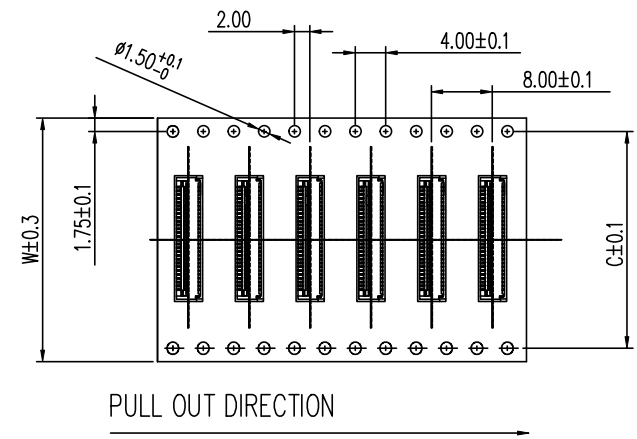
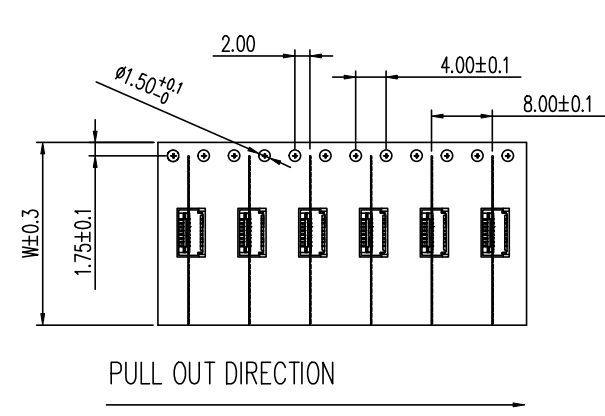
B	盖子高度由1.75改为1.55MM	2021051001	liupeng	2021/5/10
A	NEW DRAWING		liupeng	
REV	DESCRIPTION	ECN.NO	BY	DATE

NOTE:

- 1.10 Sprocket hole pitch cumulative tolerance ± 0.20 .
- 2. Carrier camber is within 1mm in 100mm.
- 3. Material: black conductive polystyrene alloy.
- 4. Material Thickness: 0.3 ± 0.05 mm.
- 5. All dimensions meet EIA-481-B requirements.
- 6. 4000pcs Pef Reel.
- 7. For tape width(dim W)16 and 24mm pilot holes are provided on one sides. For tape width(dim W)32, 44 and 56mm pilot holes are provided on both sides.

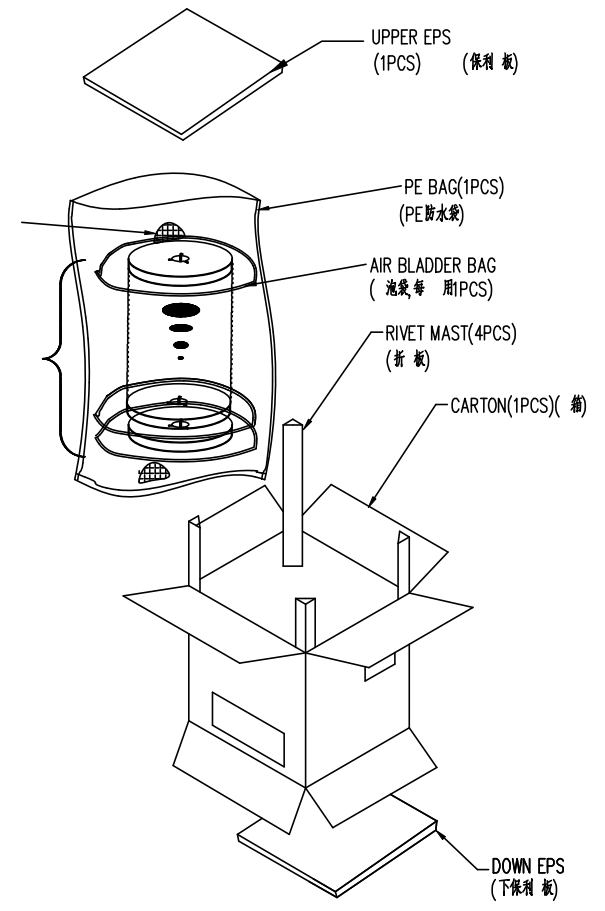


SCALE 1:4

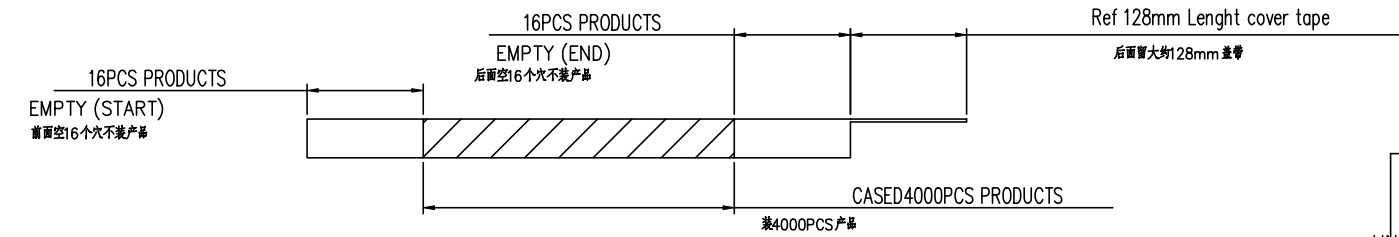
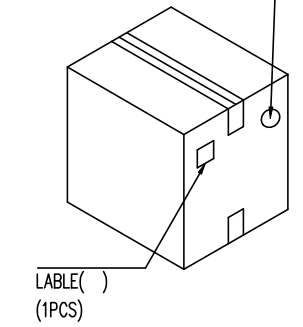


DESICCANT(2 PCS)
(3g/PCS)(干燥)

NUMBER REEL
()



GP LABEL
() (1PCS)



PIN NO.	W	C	PCS /REEL	REEL/CARTON	SUM(PCS)
04PIN~14PIN	16	-	4000	14	56000
16PIN~24PIN	24	-	4000	10	40000
28PIN~39PIN	32	28.4	4000	8	32000
40Pin~50PIN	44	40.4	4000	6	24000

- TOLERANCES -
UNLESS OTHERWISE SPECIFIED
公差 考表

X.X : ± 0.30		X.X* : $\pm 5^\circ$		深圳市金航标电子有限公司 KH-FPC0.5-H1.0SMT-10P-QCHF www.kinghelm.com.cn 0755-28190160	
X.XX : ± 0.20		X.XX* : $\pm 2^\circ$			
X.XXX : ± 0.10		X.XXX* : $\pm 1^\circ$		TITLE: 0.5mm Pitch FPC Connector 品名:	
APPD: 核准:		CHECK: 校:		DWG NO: FP242AH-0XXG10M 品料:	
DRAW: LIU		DATE	SCALE	UNIT	PAGE
			1:1	mm	1/1

A	New Drawing		LIU	02/27'13
REV	DESCRIPTION	ECN.NO	BY	DATE

本产品符合 RoHS 符合 SONY00259 符合 HF 其他
 *禁止使用本公司所禁用有毒物质