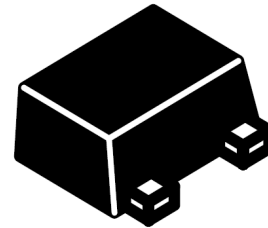


Features

- 100 Watts Peak Pulse Power per Line ($t_p=8/20\mu s$)
- Protects Two Lines
- Low Clamping Voltage
- Working Voltages : 5V
- Low Leakage Current
- IEC61000-4-2 (ESD) $\pm 17kV$ (air), $\pm 10kV$ (contact)
- IEC61000-4-4 (EFT) 40A (5/50ns)
- IEC61000-4-5 (LIGHTING) 4A (8/20 μs)

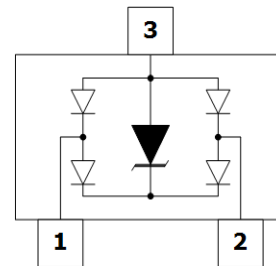
Dimensions SOT-723



Applications

- Cellular Handsets & Accessories
- Antennas
- High Spded I/O Lines
- Keypads, Side Keys, LCD Displays
- Battery, Power Lines
- Notebooks & Desktop Computers
- Portable Instrumentation

Pin Configuration



Mechanical Characteristics

- SOT-723 Package
- Molding Compound Flammability Rating : UL 94V-0
- Weight 1.3 Milligrams (Approximate)
- Quantity Per Reel : 8,000pcs
- Reel Size : 7 inch
- Lead Finish : Lead Free
- Device Marking: M5

Absolute Maximum Ratings (T_{amb}=25°C unless otherwise specified)

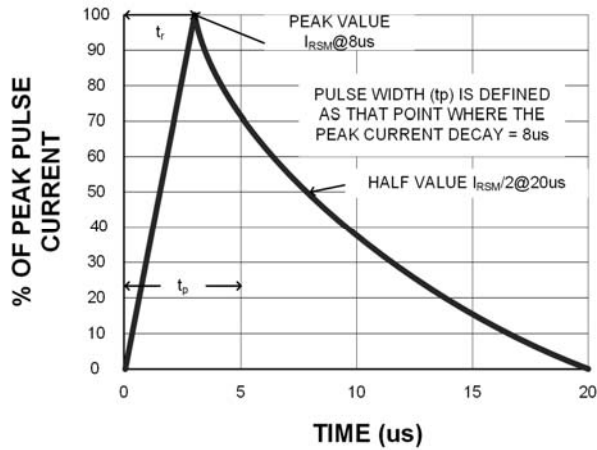
Parameter	Symbol	Value	Unit
Peak Pulse Current (8/20 μs)	P _{pp}	100	W
ESD per IEC 61000-4-2 (Air)	V _{ESD}	± 17	Kv
ESD per IEC 61000-4-2 (Contact)		± 10	
Operating Temperature Range	T _J	-55 to +125	°C
Storage Temperature Range	T _{STJ}	-55 to +150	°C

Electrical Characteristics (TA=25°C unless otherwise specified)

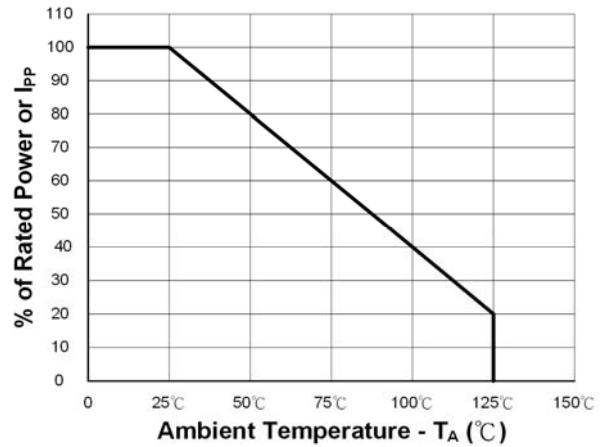
Parameter	Symbol	Test Condition	Min	Typ	Max	Unit
Reverse Working Voltage	V_{RWM}				5	V
Breakdown Voltage	V_{BR}	$I_T = 1\text{mA}$	6			V
Reverse Leakage Current	I_R	$V_{RWM} = 5\text{V}$			1	μA
Clamping Voltage	V_C	$I_{PP} = 1\text{A}$ (8 x 20 μs pulse)			12	V
Clamping Voltage	V_C	$I_{PP} = 4\text{A}$ (8 x 20 μs pulse)			25	V
Junction Capacitance	C_J	$V_R = 0\text{V}$, $f = 1\text{MHz}$		0.3		pF

TYPIC CHARACTERISTICS

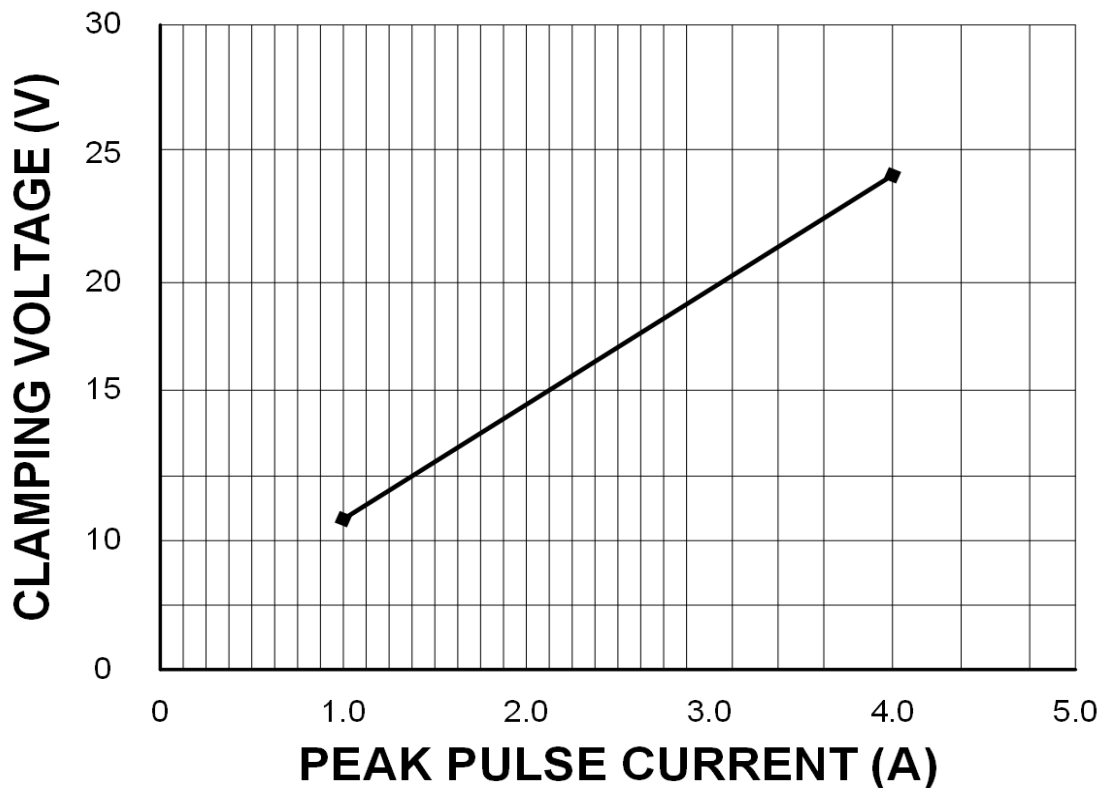
8 x 20 μ s Waveform



Power Derating Curve

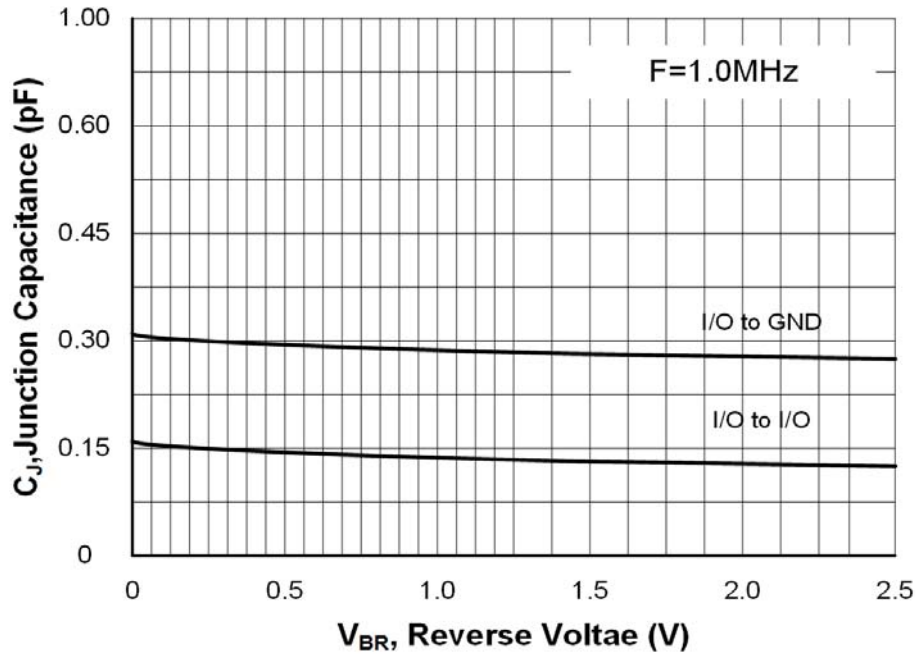


Clamping Voltage vs. Peak Pulse Current ($t_p=8/20\mu$ s)

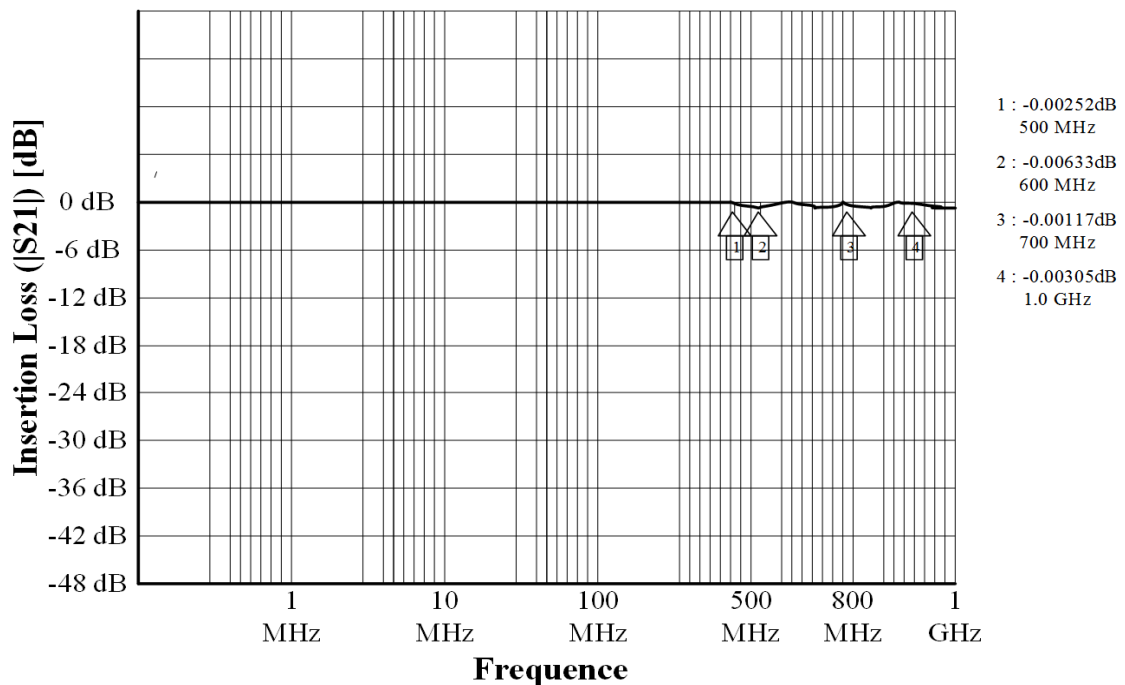


TYPIC CHARACTERISTICS

Typic Capacitance vs. Reverse Voltage

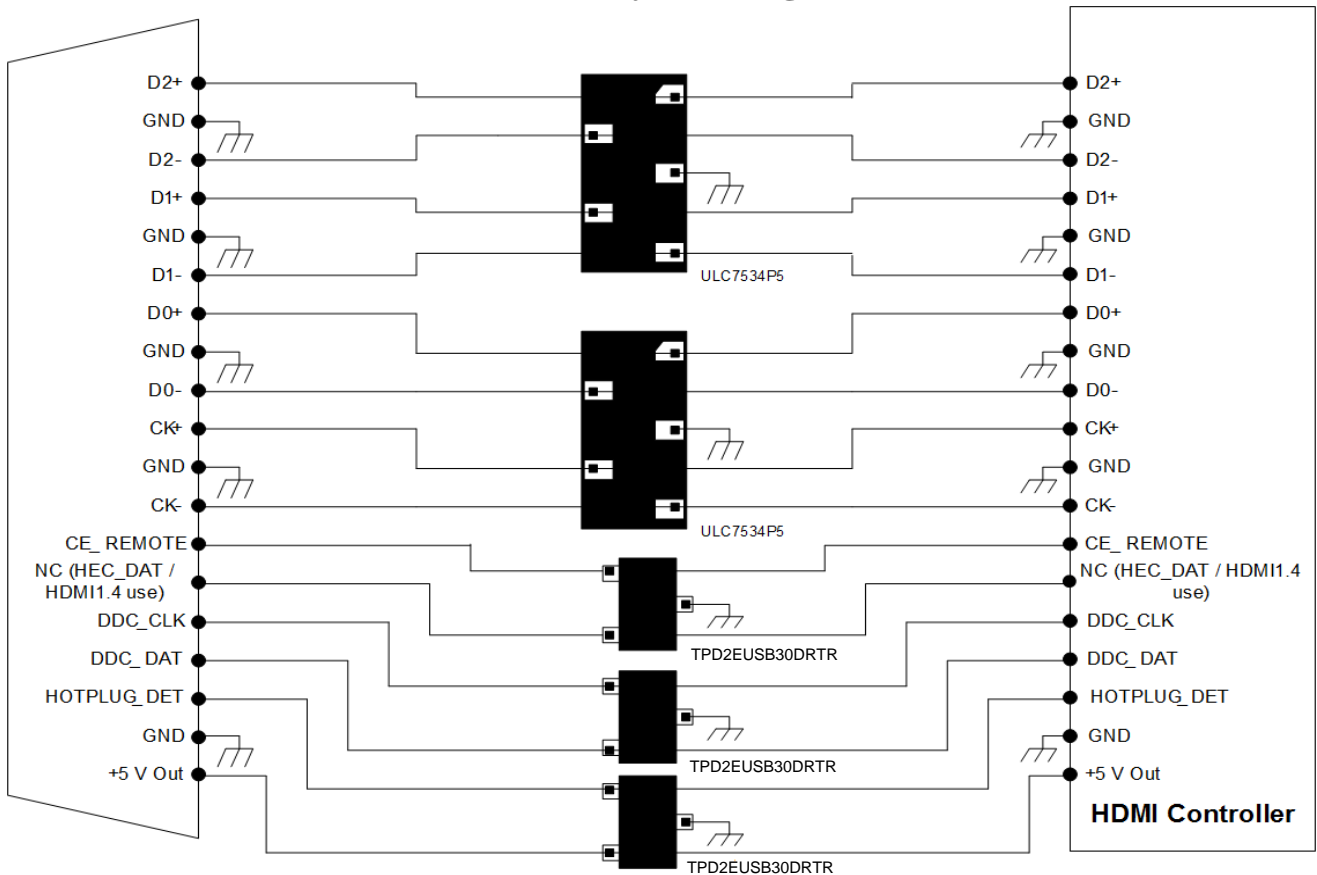


Insertion Loss (S21)

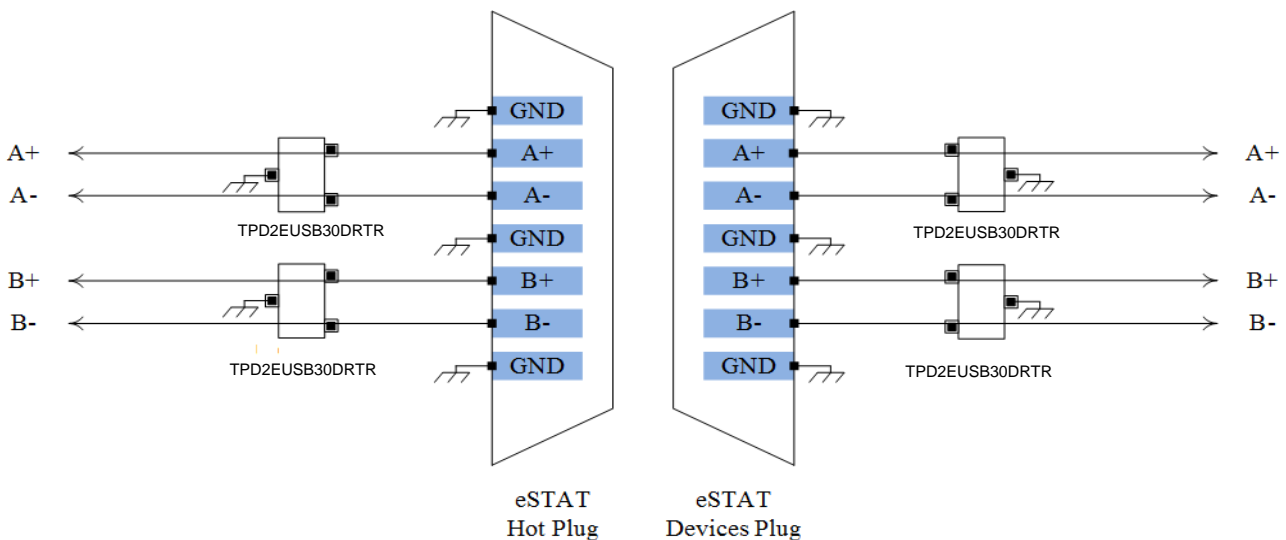


Layout Diagrams

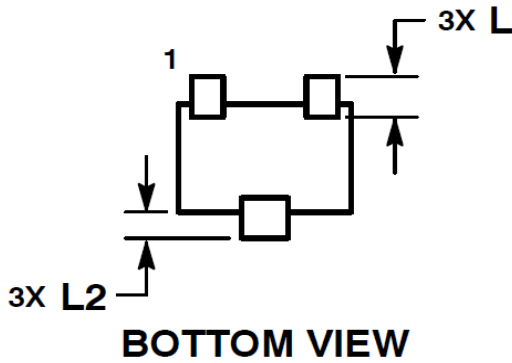
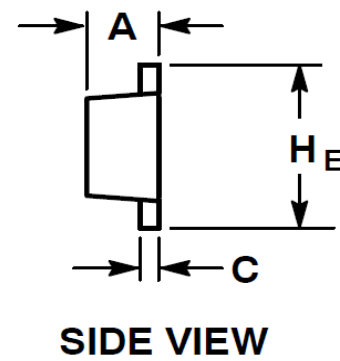
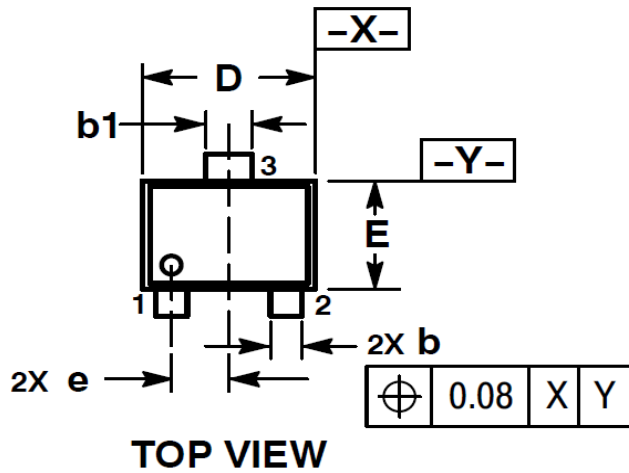
HDMI Layout Diagram



eSTAT Layout Diagram



SOT-723 PACKAGE OUTLINE & DIMENSIONS



DIM	MILLIMETERS		
	MIN	NOM	MAX
A	0.45	0.50	0.55
b	0.15	0.21	0.27
b1	0.25	0.31	0.37
C	0.07	0.12	0.17
D	1.15	1.20	1.25
E	0.75	0.80	0.85
e	0.40 BSC		
H _E	1.15	1.20	1.25
L	0.29 REF		
L2	0.15	0.20	0.25

* SOLDERING FOOTPRINT

