

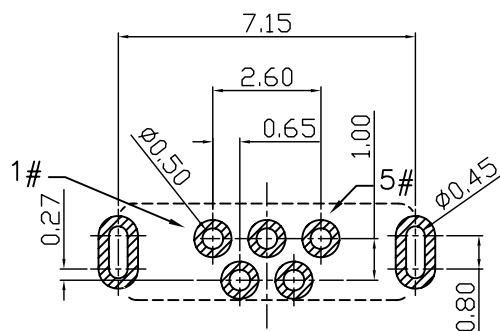
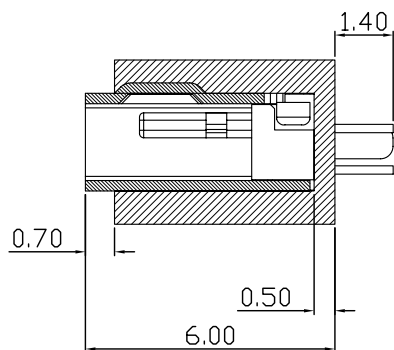
Note:

1. Material:

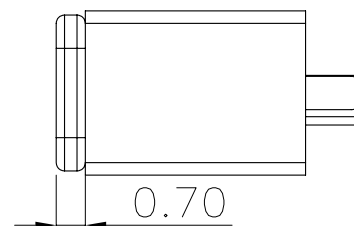
- 1.1 Housing: High temperature thermoplastic with g.f, UL94v-0
- 1.2 Contact: copper alloy, t=0.20mm
- 1.3 Shell: copper alloy, t=0.25mm

2. Specification:

- 2.1 Current rating: 1A Max
- 2.2 Dielectric withstanding voltage: 100V (AC) for 1 min.
- 2.3 Contact resistance: 50mΩ Max.
- 2.4 Insulation resistance: 100mΩ min.
- 2.5 Total mating force: 3.57 Kgf Max.
- 2.6 Total unmating force: 1.0 Kgf Min. 0.81~2.05 Kgf Min. after 10,000 insertion/extraction cycles
- 2.7 Temperature range: -30° C~80° C



Recommend PCB layout



Contact Number	Signal Name	Remarks
1#	VBUS	Power
2#	D-	Date-
3#	D+	Date+
4#	ID	Reserve or Gound
5#	GND	Gound



深圳市华宇创精密电子有限公司

TOLERANCE:
 X.X ±0.30
 X.XX ±0.25
 X.XXX ±0.15
 X' ±2' X.X' ±0.5'
 UNIT: mm [inch]
 SCALE:1:1 SIZE: A4

DRAWN BY : 陈一鸣
 DATE : 2014-02-23
 CHECKED BY : 马跃
 DATE : 2014-02-23
 APPROVED BY : 邱敏
 DATE : 2014-02-23

PART NAME: MICRO USB 5P 带防水胶圈180° DIP
 PART NO. HYCW149-USBD05-740B
 MOLD NO.
 DRAW NO: HYC-USB17071917
 SHEET NO. 1 OF 1