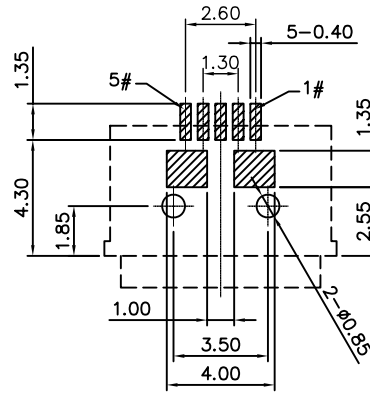
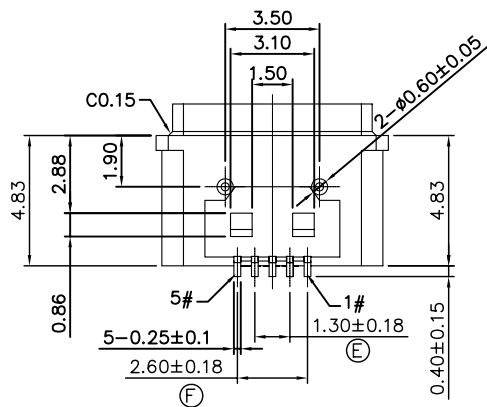


**SPECIFICATION:**

- Electrical characteristics
  - Current rating:  
Signal(Pins2,3,4):DC 1A  
Power(Pins1,5) :DC 1.8A
  - Voltage rating: AC 30V.
  - Contact resistance:  
30mΩ max(initial).  
50mΩ max(After Durability)
  - Insulation resistance:  
100MΩ min. at 500V DC.
  - Withstanding voltage:  
100V AC for 1 minute.
- Mechanical characteristics
  - Life test: 5000 cycles min.
  - Mating force: 35N Max,  
Unmating force:8N Min(initial).  
6N Min(after life test).
- Temperature range: -40°C~+80°C
- Dustproof and waterproof grade: IP67



Recommended P.C.B. Layout  
Unspecified tolerance: ±0.05  
(Top view)

Contact Number	Signal Name	Remarks
1#	VBUS	Power
2#	D-	Date-
3#	D+	Date+
4#	ID	Reserve or Gound
5#	GND	Gound

NO.	DESCRIPTION	QTY	MATERIAL	REMARK
⑦	Oval ring	1	Rubber	White
⑥	Glue	1	-----	Black
⑤	Screw	2	Brass	Nickel plated
④	Inner shell	1	Copper alloy or stainless steel	Nickel plated
③	Terminal	5	Copper alloy, 0.15t	Gold Plated On Contact Area.
②	Outer shell	1	High temperature thermoplastic	Black
①	Body	1	High temperature thermoplastic	Black



深圳市华宇创精密电子有限公司

TOLERANCE: X.X ±0.30 X.XX ±0.25 X.XXX ±0.15 X.° ±2° X.X° ±0.5°	DRAWN BY: 陈一鸣	DATE: 2014-02-23	PART NAME: MICRO USB 5P 带防水胶圈板上SMT	
	CHECKED BY: 马跃	DATE: 2014-02-23	PART NO. HWCW148-USB05-117B	MOLD NO.
UNIT: mm [inch]	APPROVED BY: 邱敏	DATE: 2014-02-23	DRAW NO. HYC-USB17071916	SHEET NO. 1 OF 1
SCALE: 1:1	SIZE: A4			