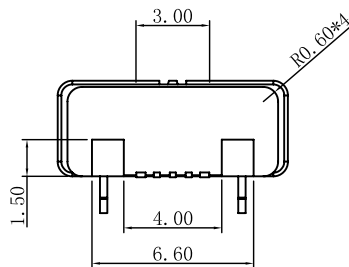
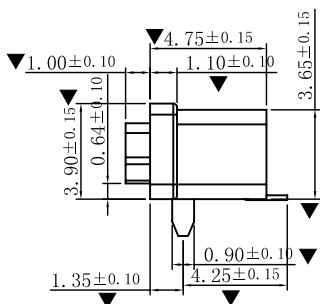
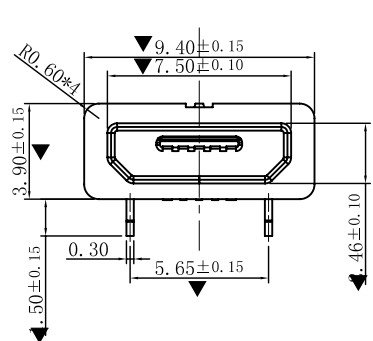
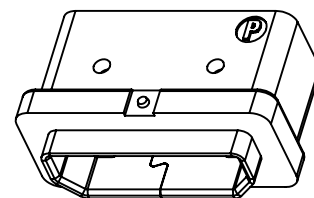


注：设计时，请注意公头插入时的距离，防止公头插不彻底。

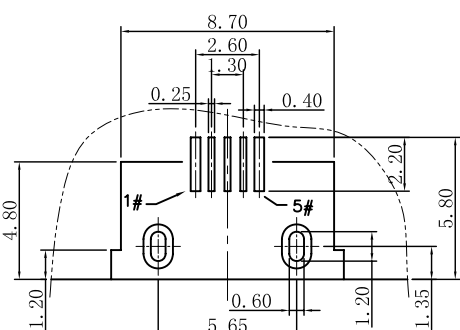
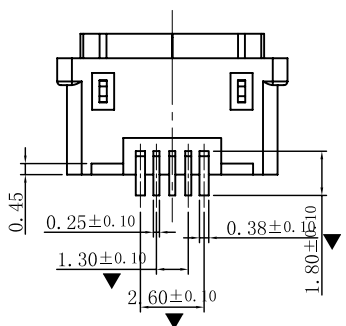


Notes:

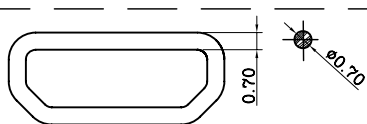
1. Dimension shall be interpreted per ASME Y14.5M1994.
2. Dimension marked ∇ & \blacktriangledown should be checked by Q.C. and process, engineers and ∇ should also check the CPK data.

Specification:

1. Current Rating: 2.0 AMP
2. Voltage Rating: 30V AC,DC
3. Dielectric Strength: 500V AC RMS for 1 minute.
4. Contact Resistance: 30 mΩ Max.
5. Insulator Resistance: 500M Ω Min. AT 250V DC.
6. Mating/Unmating cycles: 2000cycles
7. Temperature: -20°C to +60°C



P. C. B LAYOUT



注：防水圈是圆形截面，直径为0.7mm的硅胶圈

防水圈挤压量，由0.7mm挤压到0.3mm ~ 0.4mm，防水效果好

Contact Number	Signal Name	Remarks
1#	VBUS	Power
2#	D-	Date-
3#	D+	Date+
4#	ID	Reserve or Gound
5#	GND	Gound

ITEM	PART NAME	Q' TY	FINISH	NOTE
3	Shell	1	SUS304R-1/2H Ni PlatingT=0.30mm	
2	Contact	5	Phosphor bronze C5191R-EH Au/Ni Plating T=0.20mm	
1	Housing	1	PA9T&LCP (G.F30%)	



深圳市华宇创精密电子有限公司

TOLERANCE: X.X ±0.30 X.XX ±0.25 X.XXX ±0.15 X.' ±2' X.X' ±0.5'	DRAWN BY : 陈一鸣	DATE : 2014-02-23	PART NAME: MICRO USB 5P带防水胶圈板上SMT短头
	CHECKED BY: 马跃	DATE : 2014-02-23	PART NO. HYCW129-USB05-100B
UNIT: mm [inch] SCALE: 1:1 SIZE: A4	APPROVED BY: 邱敏	DATE : 2014-02-23	DRAW NO: HYC-USB16123117 SHEET NO. 1 OF 1