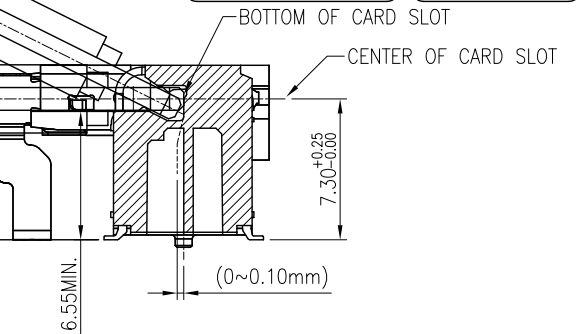


REV.	MODIFICATION	DATE	DRAW
A	INITIAL RELEASE	2015.05.12	Ann
B	ECN-2015029	2015.07.31	Ann
C	ECN-2016003	2016.05.31	Vincent

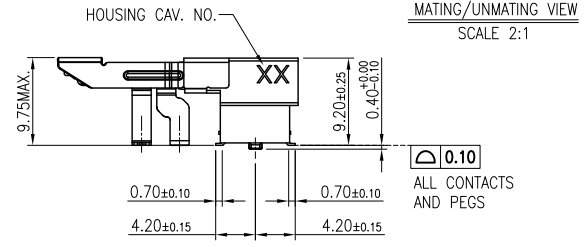
HALOGEN FREE LEAD FREE



C Max. (SEE TABLE 2)
FROM RAM TOP SURFACE TO SMT SURFACE

D Min. (SEE TABLE 2)
FROM RAM BOTTOM SURFACE TO SMT SURFACE

MATING: ① INSERTING → ② ROTATING → ③ FIXED
UNMATING: ④ UNFIXED → ⑤ ROTATING → ⑥ WITHDRAWING



- NOTES
- MATERIAL
HOUSING: THERMOPLASTIC. UL94V-0.
CONTACT: HIGH-PERFORMANCE COPPER ALLOY.
LATCH: STAINLESS STEEL.
PEG: STAINLESS STEEL.
 - FINISH
CONTACT: GOLD PLATING(SEE NOTE 4) ON CONTACT AREA AND 1~3u" GOLD PLATING ON SOLDER AREA
NICKEL(SEE TABLE 1) UNDER PLATING OVER ALL
PEG: 50~150u" TIN PLATING OVER ALL
50~150u" NICKEL UNDER PLATING OVER ALL
 - MSL LEVEL:
MSL(MOISTURE SENSITIVITY LEVEL)=1.
 - PART NO. : D4ARX-260XX-XX92
SEE TABLE 1
PLATING CONTACT
01 : GOLD 1u"Min.
03 : GOLD 3u"Min.
05 : GOLD 5u"Min.
10 : GOLD 10u"Min.
15 : GOLD 15u"Min.
20 : GOLD 20u"Min.
30 : GOLD 30u"Min.
PACKING
P: TAPE REEL(NORAML DIRECTION)
HOUSING COLOR
1:BLACK
2:NATURAL

LINKTEK

TABLE 1

N	With "LTK"	90~150u"
A	Without "LTK"	50~150u"
0(NUMBER ZERO)	With "LTK"	50~150u"
X	TRADEMARK	CONTACT NICKEL FINISH

DIMENSION IN mm [Inch]	PROD. SPEC.
.X±0.35	SP-D4XXXL1
TOLERANCE UNLESS OTHERWISE SPECIFIED	PKG. SPEC.
.XX±0.25	PK-D4XXX-XXX
.XXX±	APR. Tony 2016.05.31
.X*± 1*	CHK. Leon 2016.05.31
.XX*±	DRA. Vincent 2016.05.31

深圳市逸沛兴电子科技有限公司

TITLE: DDR4 9.2H RVS CONNECTOR

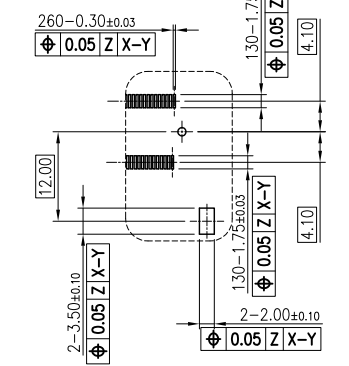
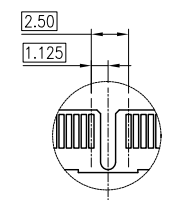
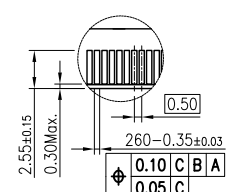
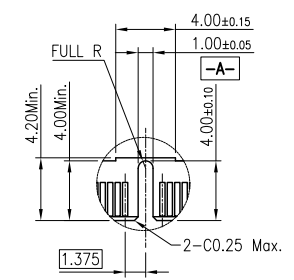
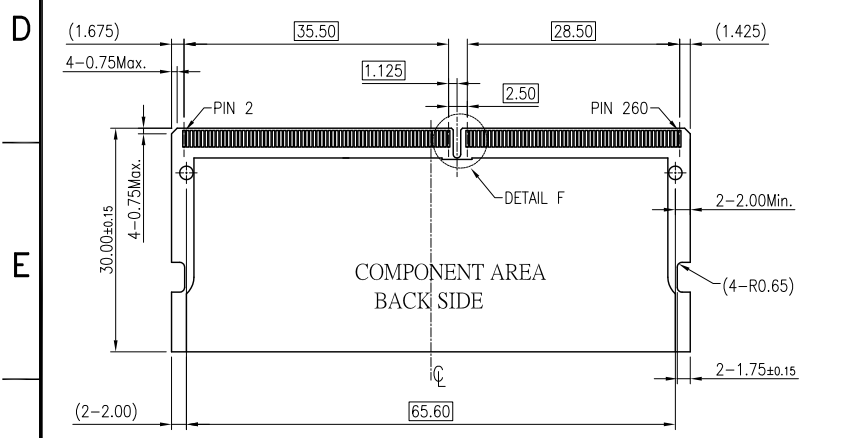
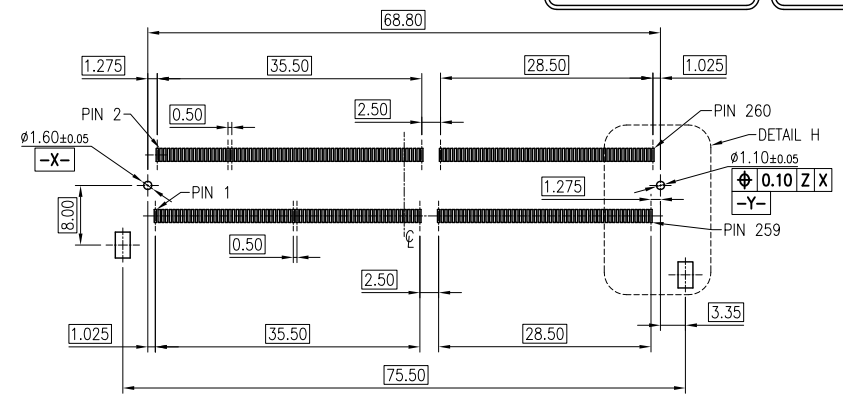
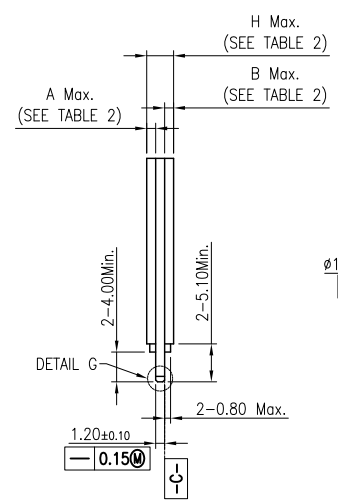
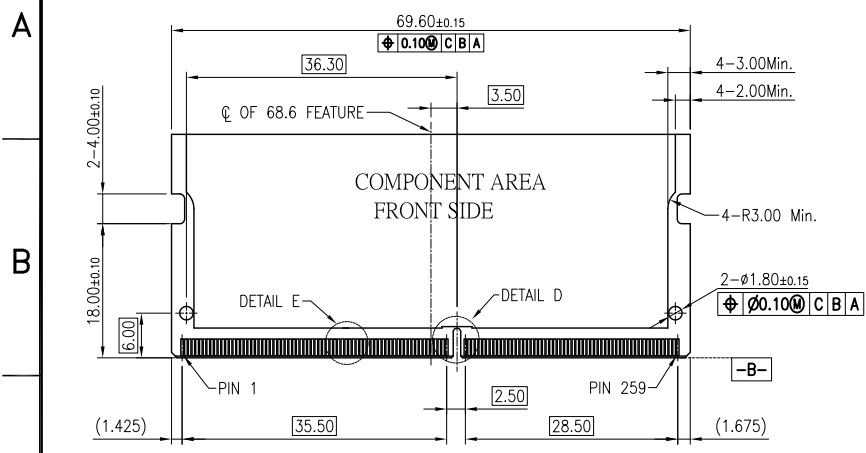
FILE NO. ARG-224 DWG NO. D4ARX-260XX-XX92

PROJ. CUSTOMER DRAWING

SIZE A4 SCALE 1:1 SHEET 1/2 REV. C C

REV.	MODIFICATION	DATE	DRAW
A	INITIAL RELEASE	2015.05.12	Ann
B	ECN-2015029	2015.07.31	Ann
C	ECN-2016003	2016.05.31	Vincent

HALOGEN FREE LEAD FREE



RECOMMEND MODULE CONFIGURATION

TABLE 2

DIM. H	DIM. A	DIM. B	DIM. C	DIM. D
4.70	1.70	1.70	10.50	4.90
3.70	1.20	1.20	10.00	5.40

DIMENSION IN mm [Inch]	PROD. SPEC.
	SP-D4XXXL1
TOLERANCE UNLESS OTHERWISE SPECIFIED	PKG. SPEC.
	PK-D4XXX-XXX
.X±0.35	X*±1*
.XX±0.25	.X*±
.XXX±	.XX*±

深圳市逸沛兴电子科技有限公司

TITLE: DDR4 9.2H RVS CONNECTOR

FILE NO. ARG-224 DWG NO. D4ARX-260XX-XX92

PROJ. CUSTOMER DRAWING

SIZE A4 SCALE 1:1 SHEET 2/2 REV. C C

LINKTEK