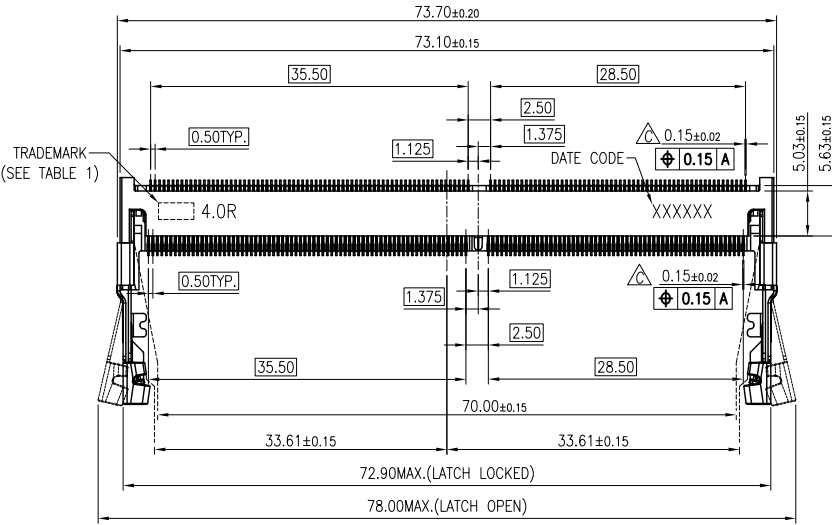


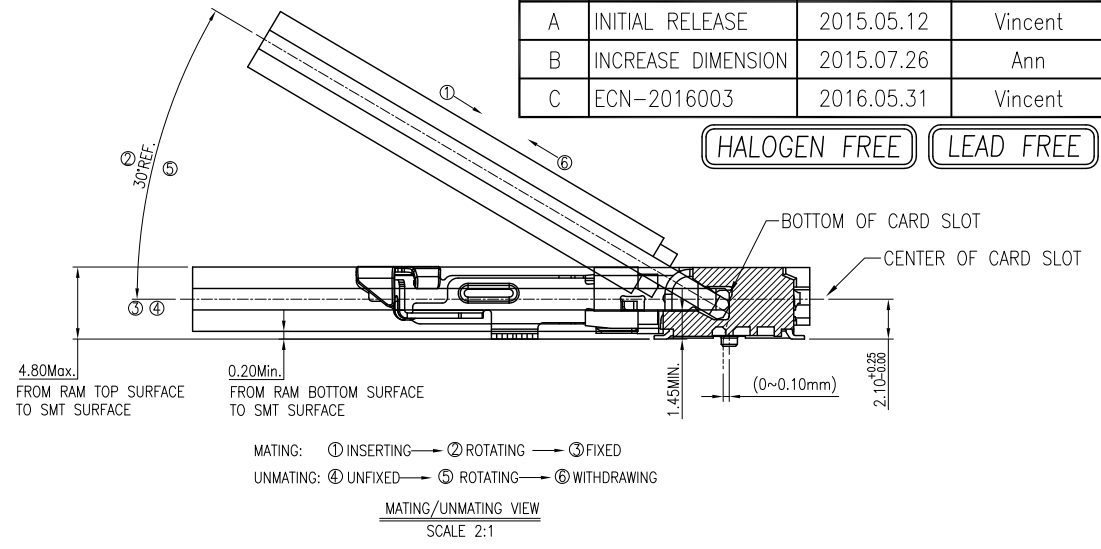
REV.	MODIFICATION	DATE	DRAW
A	INITIAL RELEASE	2015.05.12	Vincent
B	INCREASE DIMENSION	2015.07.26	Ann
C	ECN-2016003	2016.05.31	Vincent

A



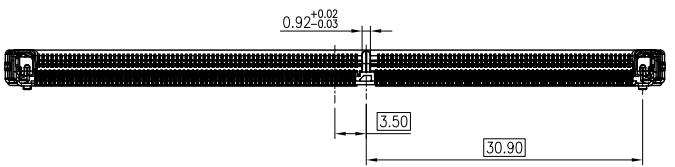
A

B

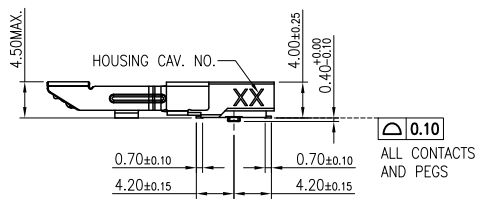


B

C



C

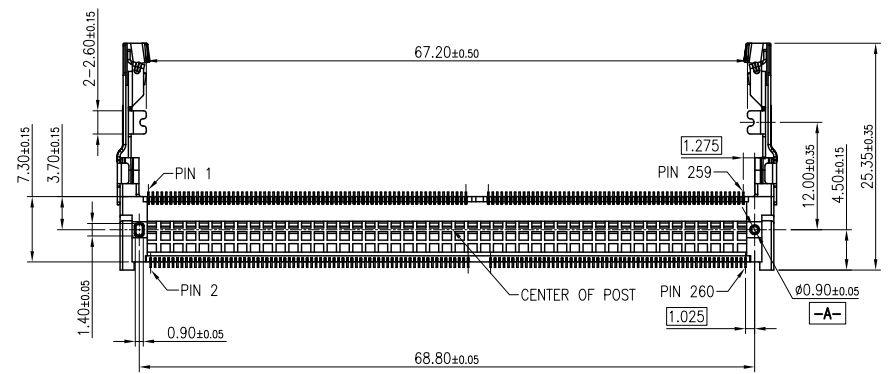


- NOTES
- MATERIAL  
HOUSING: THERMOPLASTIC, UL94V-0.  
CONTACT: HIGH-PERFORMANCE COPPER ALLOY.  
LATCH: STAINLESS STEEL.  
PEG: STAINLESS STEEL.
  - FINISH  
CONTACT: GOLD PLATING(SEE NOTE 4) ON CONTACT AREA AND 1~3u" GOLD PLATING ON SOLDER AREA NICKEL(SEE TABLE 1) UNDER-PLATING OVER ALL  
PEG: 50~150u" TIN PLATING OVER ALL  
50~150u" NICKEL UNDER-PLATING OVER ALL
  - MSL LEVEL:  
MSL(MOISTURE SENSITIVITY LEVEL)=1.
  - PART NO. : D4ARX-260XX-XX40
- SEE TABLE 1
- PLATING CONTACT
    - 01 : GOLD 1u"Min.
    - 03 : GOLD 3u"Min.
    - 05 : GOLD 5u"Min.
    - 10 : GOLD 10u"Min.
    - 15 : GOLD 15u"Min.
    - 20 : GOLD 20u"Min.
    - 30 : GOLD 30u"Min.
  - PACKING
    - P: TAPE REEL(NORMAL DIRECTION)
  - HOUSING COLOR
    - 1:BLACK
    - 2:NATURAL

D

D

E



E

F

F

TABLE 1

N	With "LTK"	90~150u"
A	Without "LTK"	50~150u"
O(NUMBER ZERO)	With "LTK"	50~150u"
X	TRADEMARK	CONTACT NICKEL FINISH

DIMENSION IN mm [Inch]	PROD. SPEC.
.X±0.35	SP-D4XXXL1
TOLERANCE UNLESS OTHERWISE SPECIFIED	PKG. SPEC.
.XX±0.25	PK-D4XXX-XXX
.XXX±	APR. Tony 2016.05.31
	CHK. Leon 2016.05.31
	DRA. Vincent 2016.05.31

**LINKTEK**

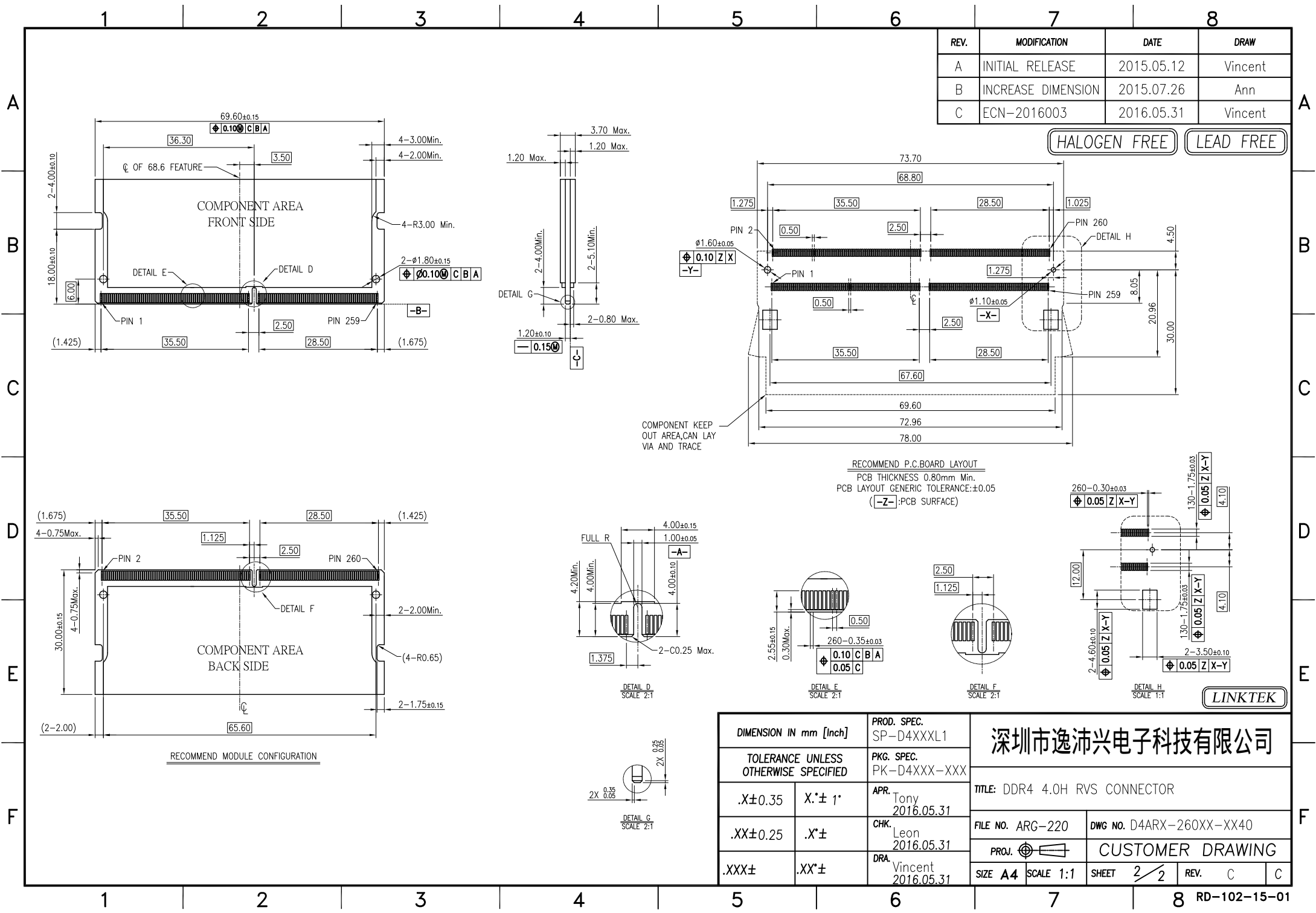
**深圳市逸沛兴电子科技有限公司**

TITLE: DDR4 4.0H RVS CONNECTOR

FILE NO. ARG-220 DWG NO. D4ARX-260XX-XX40

PROJ. CUSTOMER DRAWING

SIZE A4 SCALE 1:1 SHEET 1/2 REV. C C



REV.	MODIFICATION	DATE	DRAW
A	INITIAL RELEASE	2015.05.12	Vincent
B	INCREASE DIMENSION	2015.07.26	Ann
C	ECN-2016003	2016.05.31	Vincent

HALOGEN FREE LEAD FREE

RECOMMEND P.C. BOARD LAYOUT  
 PCB THICKNESS 0.80mm Min.  
 PCB LAYOUT GENERIC TOLERANCE: ±0.05  
 (-Z-) PCB SURFACE

RECOMMEND MODULE CONFIGURATION

LINKTEK

DIMENSION IN mm [Inch]	PROD. SPEC. SP-D4XXXL1
TOLERANCE UNLESS OTHERWISE SPECIFIED	PKG. SPEC. PK-D4XXX-XXX
.X±0.35 X*±1*	APR. Tony 2016.05.31
.XX±0.25 .X*±	CHK. Leon 2016.05.31
.XXX± .XX*±	DRA. Vincent 2016.05.31

深圳市逸沛兴电子科技有限公司

TITLE: DDR4 4.OH RVS CONNECTOR

FILE NO. ARG-220 DWG NO. D4ARX-260XX-XX40

PROJ. CUSTOMER DRAWING

SIZE A4 SCALE 1:1 SHEET 2/2 REV. C C