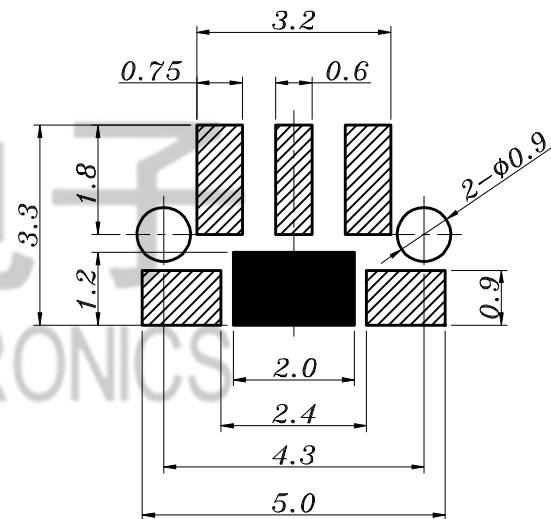
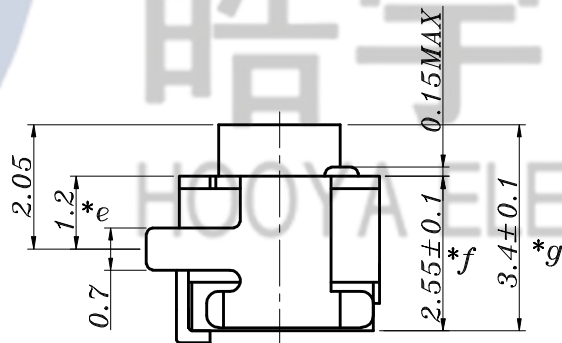


CIRCUIT DIAGRAM



P.C.B LAND DIMENSION

|     |              |          |     |           | TOLERANCE<br>UNLESS SPECIFIED        |         |    |            |           |         |    |      |  |
|-----|--------------|----------|-----|-----------|--------------------------------------|---------|----|------------|-----------|---------|----|------|--|
|     |              |          |     |           | UP TO 5mm: ±0.1                      | ANGULAR | 1  |            |           |         |    |      |  |
|     |              |          |     |           | ABOVE 5mm: ±0.2                      | ±1°     | NO | DATE       | REVISIONS |         | BY | APPD |  |
| 4   | CONTACT FOOT | BRASS    | 3   | Ag-Plated | TITLE: TACT SWITCH                   |         |    | UNIT: MM   | ROHS      | DWN     |    |      |  |
| 3   | COAT         | BRASS    | 1   | Ag-Plated | MODEL: TS-1178-E                     |         |    | SCALE: 1:1 | COMPLIANT | CHK'D   |    |      |  |
| 2   | BUTTON       | LCP      | 1   |           | HAOYU(HONGKONG)LIMITED<br>皓宇(香港)有限公司 |         |    |            |           | APPD    |    |      |  |
| 1   | HOUSING      | LCP      | 1   |           |                                      |         |    | PRO.AGL:   |           | REV :AO |    |      |  |
| NO. | PART NAME    | MATERIAL | QTY | FINISHING |                                      |         |    |            |           |         |    |      |  |