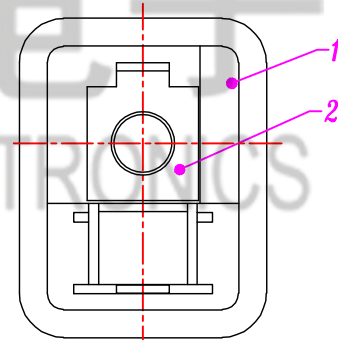
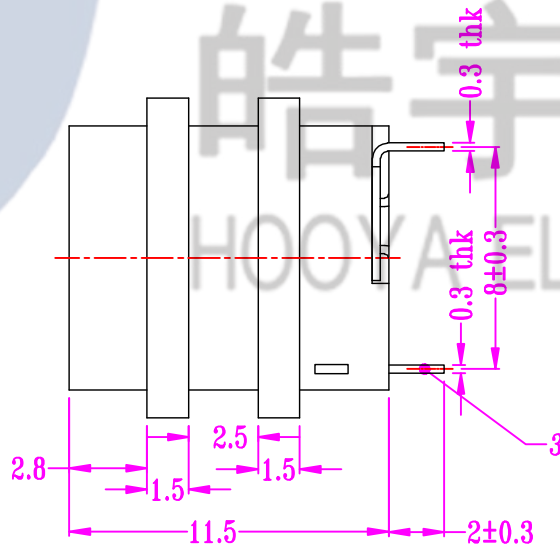
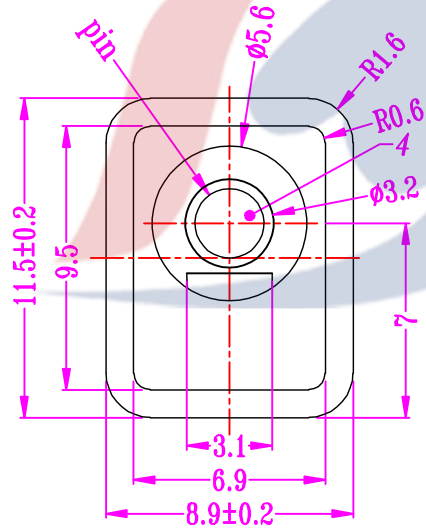
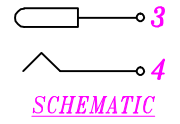
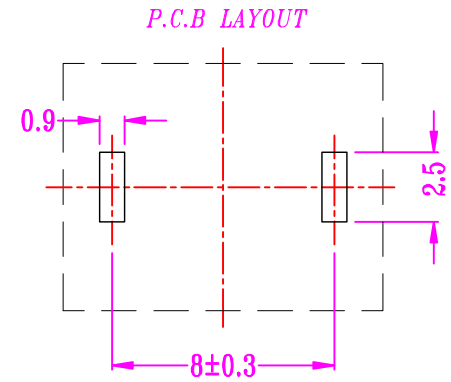
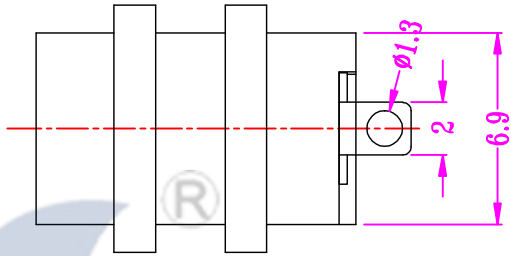
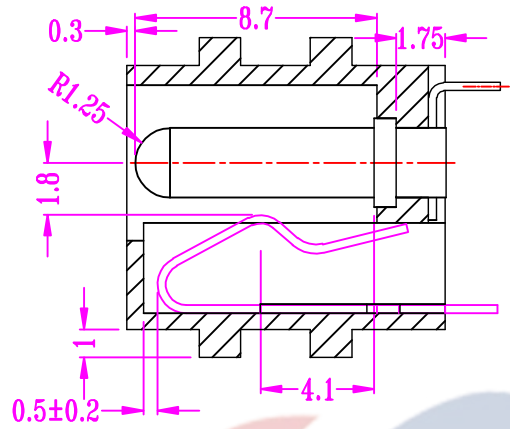


HOOYA



外壳材质：LCP

PIN	ø2.0	ø2.5
APPD.	✓	

					TOLERANCE UNLESS SPECIFIED							
					UP TO 5mm: ±0.1	ANGULAR ±1°						
					ABOVE 5mm: ±0.2		NO	DATE	REVISIONS		BY	APPD
4	DC-044 PIN	BRASS	1	Ni/Au PLATED	TITLE: DC JACK			UNIT : MM	ROHS COMPLIANT	DWN		
3	SPRING	SUS/PBS	1	Ag PLATED	MODEL: DC-531 2.0-LCP			SCALE: 4:1		CHK'D		
2	FLAT PIECE	BRASS	1	Ag PLATED	HOOYA ELECTRONIC CO. LTD 皓宇电子有限公司					APPD		
1	CASE	LCP	1					PRO.AGL:			REV : A	
NO.	PART NAME	MATERIAL	QTY	FINISHING								