

THIS DRAWING IS UNPUBLISHED.

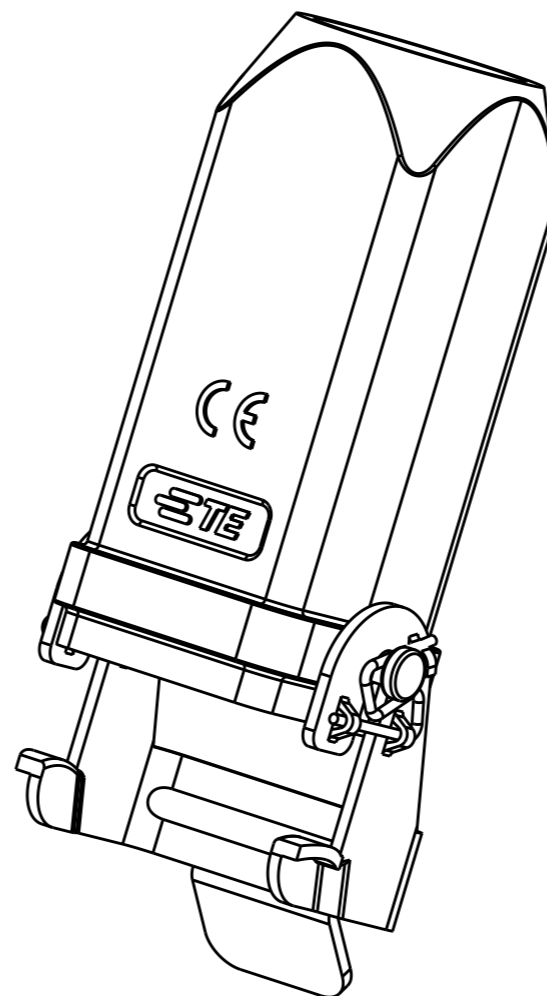
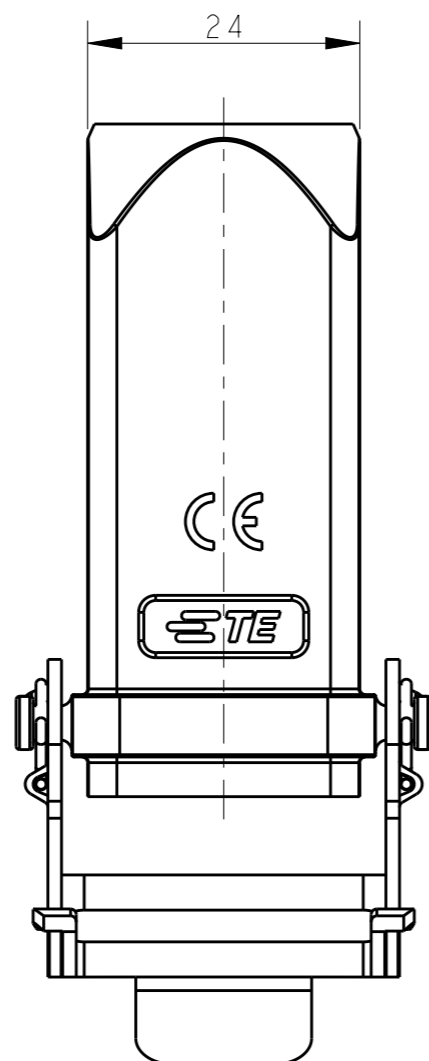
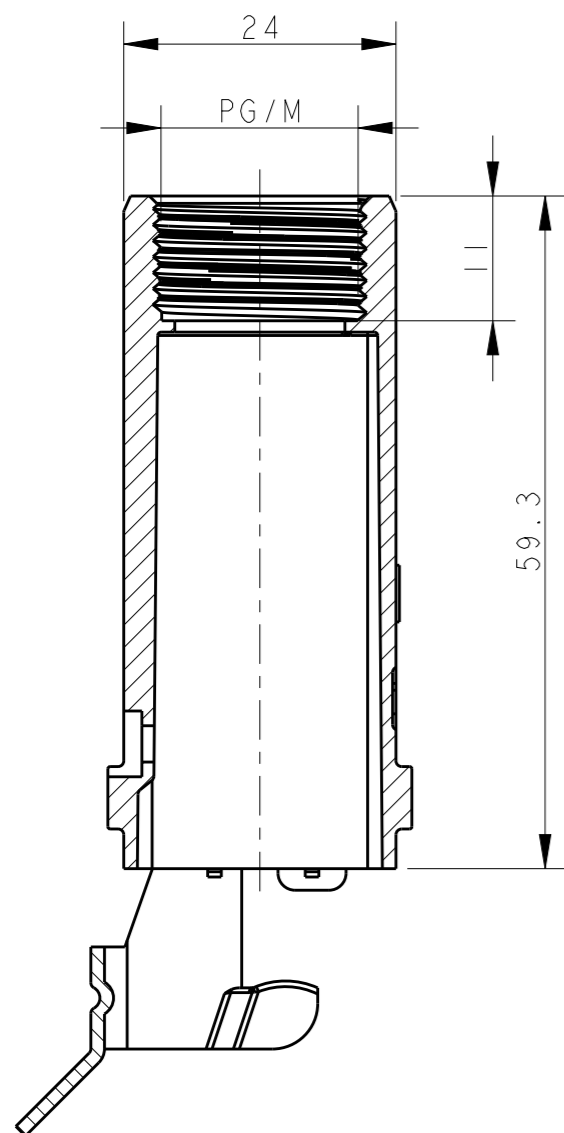
RELEASED FOR PUBLICATION

20

© COPYRIGHT 20 BY - ALL RIGHTS RESERVED.

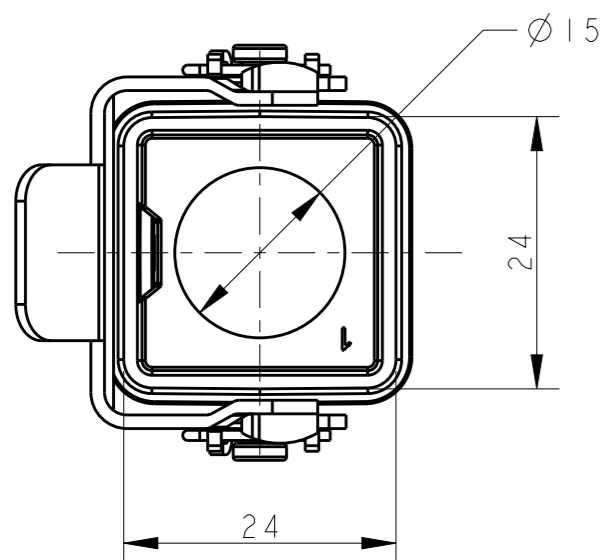
REVISIONS

P	LTR	DESCRIPTION	DATE	DWN	APVD
	A	INITIAL RELEASE	04MAY2015	DL	CW
	A1	REVISED PER ECR-18-004096	16MAR2018	RG	CW
	B	ECR-20-007782	24NOV2020	BS	CW



NOTES:
 1. TECHNICAL CHARACTERISTICS:
 BODY MATERIAL: DIE CAST ZINC ALLOY
 SURFACE TREATMENT: POWDER-COATED, GRAY OR RED
 DEGREE OF PROTECTION: IP65 (MATED)

注释:
 1. 技术参数:
 主体材料: 锌合金
 表面处理: 粉末喷涂, 灰色 或 红色
 防护等级: IP65(配合)



T1737030111-000	H3A-MTGVB-PG11	RED RAL2004	PG11
T1739030111-000	H3A-MTGVB-PG11	GRAY	PG11
T1739030120-000	H3A-MTGVB-M20	GRAY	M20
ASSEMBLY PART NUMBER	ASSEMBLY PART DESCRIPTION	SURFACE COATED COLOR	PG/M

DIMENSIONS:		TOLERANCES UNLESS OTHERWISE SPECIFIED:		DWN 04MAY2015		DAVID LI	
mm		0 PLC	±-	CHK 04MAY2015		CHRIS WANG	
		1 PLC	±-	APVD 04MAY2015		XU XIANG	
		2 PLC	±-	PRODUCT SPEC		108-137012	
		3 PLC	±-	APPLICATION SPEC		114-137012	
		4 PLC	±-	WEIGHT		-	
MATERIAL		FINISH		CUSTOMER DRAWING		SCALE 3:2	
-		-		-		SHEET 1 OF 1	
-		-		-		REV B	

STE TE Connectivity

NAME: H3A-MTGVB-PG/M

SIZE	CAGE CODE	DRAWING NO	RESTRICTED TO
A3	-	©-T17390301XX000	