

# 規格承認書

PECIFICATION FOR APPROVAL

客戶  
CUSTOMER : 立創  
項目  
ITEM : 塑壳內磁喇叭  
型號  
TYPE : GSPK25042PN-8R1W-L100  
描述  
DESCRIPTION : 25.x 4.2MM 单磁 8Ω 1.0W UL1571/30# L100mm S.P.L: 91+/- 3dB  
客戶料號  
CUSTOMER NO. :  
規格書號  
SPECIFICATION NO. :  
版本  
EDITION NO. : V1.0  
日期  
DATE : 2022-6-13

## 客戶承認

### CUSTOMER CONFIRM AND SIGN

檢查 TESTED BY	審核 CHECKED BY	承認 APPROVED BY

## 東莞市贏海電子有限公司

### DONGUAN INGHAI ELECTRONICS CO.,LTD

製作 ISSUED BY	審核 CHECKED BY	確認 APPROVED BY
周明	刘承成	

地址：廣東省東莞市長安鎮上沙第五工业区新春 1 路新春科技园

電話 / TEL: 0769-83060958 傳真 / FAX: 0769-81608993

網址: [HTTP://WWW.INGHAI.COM](http://www.inghai.com)

		<b>SPECIFICATIONS</b>	4-1
		TYPE NO.	GSPK25042PN-8R1W-L100
<b>1.PRODUCT OUTLINE</b>			
1-1	SCOPE	This specification is a typical speaker unit for telephone hand set	
1-2	DIMENSIONS	As shown in fig (1)	
1-3	NET WEIGHT	APPROX. 1.2 grams	
1-4	OPERATING TEMPERATURE	-30°C to +70°C	
1-5	STORAGE TEMPERATURE	-40°C to +85°C	
<b>2. ELECTROACOUSTIC CHARACTERISTICS</b>			
2-1	TEST SET UP	Measuring conditions and procedures shown in fig(2)	
2-2	IMPEDANCE	8Ω ±15% ohm ( at 2 KHz, 0.9Vrms )	
2-3	SOUND PRESSURE LEVEL	91dB ±3dB SPL /0.25W/10mm at 800、1000、1500、2000Hz .AVE	
2-4	FREQUENCY RESPONSE	850±20%HZ	
2-5	INPUT POWER (NOM. /MAX. )	1.0W	
2-6	AUDIBLE NOISE	Must be free audible noise (buzzes and rattles) (350 ~ 10KHz frequency range , input level up to 2.5Vrms)	
2-7	DISTORTION	Less than 10% at 1KHz 0.1W	

C H A N G E S						
	NO.	DATE	BEFORE	AFTER	REASON OF CHANGE	SIGN.

# SPECIFICATIONS

4-2

TYPE NO.

GSPK25042PN-8R1W-L30-1.25T

### 3.RELIABLE TEST

3-1 GENERAL

After any following tests the response at 1 KHz shall not deviate more than  $\pm 3$  dB from the initial value

3-2 LOAD TEST

Input power:1.0 W ,white noise 48 hours

3-3 HUMIDITY TEST

Temperature:  $+40^{\circ}\text{C} \pm 2^{\circ}\text{C}$       Relative Humidity: 90%~95%  
Duration:      48hours      (recovery 6 hours)

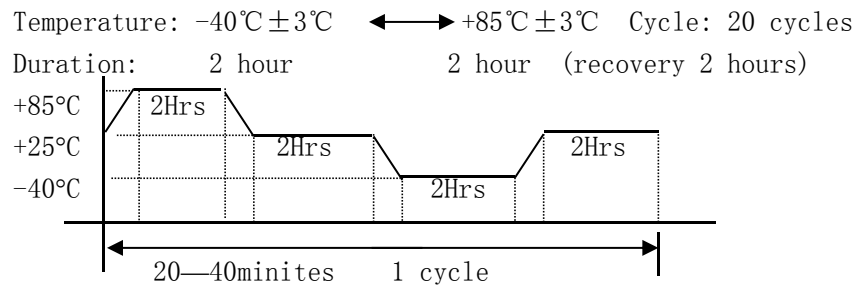
3-4 DROP TEST

Height: 1.0M  
Cycle: 10cycles

3-5 VIBRATION TEST

Frequency: 10-55Hz. Amplitude: 1.5mm  
Duration: 2 hours in each 3axes

3-6 TEMPERATURE SHOCK TEST



3-7 HIGH TEMPERATURE TEST

Temperature:  $+85^{\circ}\text{C} \pm 3^{\circ}\text{C}$   
Duration: 48 hours

3-8 LOW TEMPERATURE TEST

Temperature:  $-40^{\circ}\text{C} \pm 3^{\circ}\text{C}$   
Duration: 48 hours

3-9 TERMINAL STRENGTH TEST

Load : 1.0Kg  
Duration: 15sec. (Shall be normal)

CHANGES						
	NO.	DATE	BEFORE	AFTER	REASON OF CHANGE	SIGN.

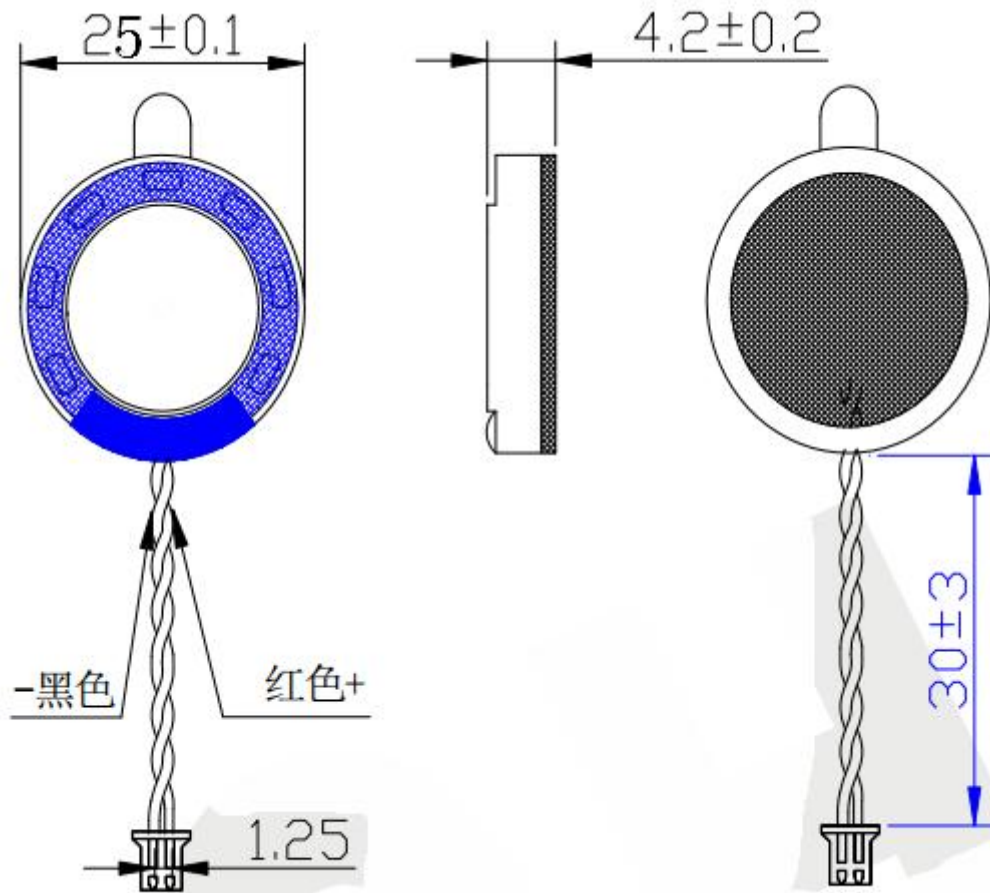
# SPECIFICATIONS

4-3

TYPE NO.

GSPK25042PN-8R0.5W-L30-1.25T

4.DIMENSIONS (fig. 1)      注：线长和端子可以更改定制



单位:mm

C H A N G E S						
	NO.	DATE	BEFORE	AFTER	REASON OF CHANGE	SIGN.

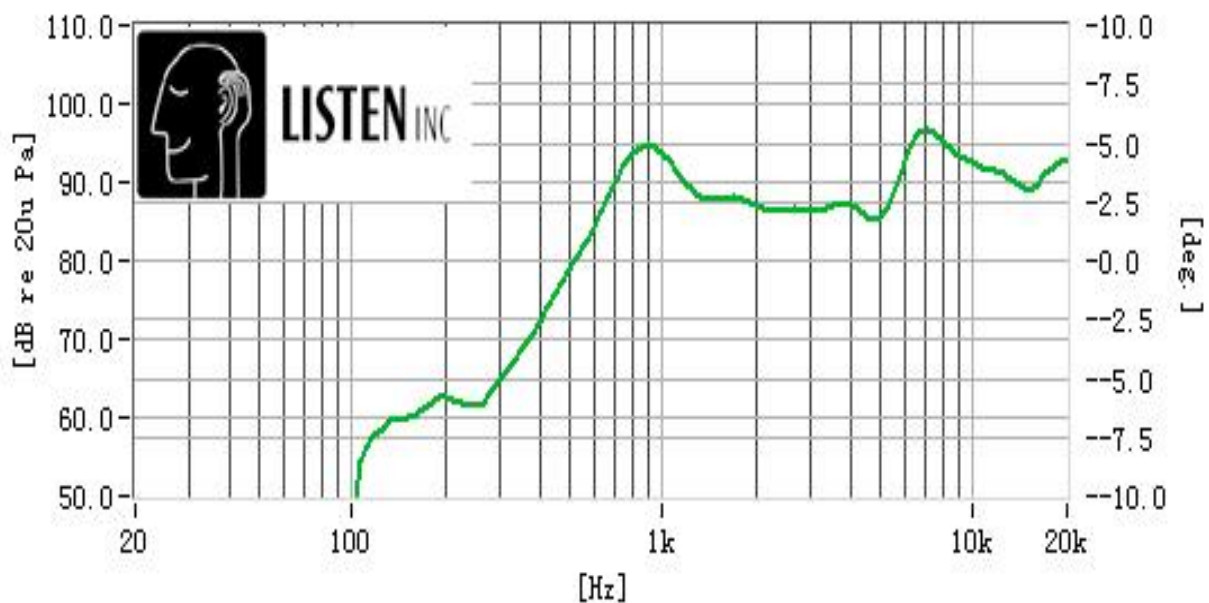
# SPECIFICATIONS

4-4

TYPE NO.

GSPK25042PN-8R0.5W-L30-1.25T

## 6.FREQUENCY RESPONSE CURVE (fig.3)



C H A N G E S						
	NO.	DATE	BEFORE	AFTER	REASON OF CHANGE	SIGN.