

FEATURES

- Wide operating Voltages ranging from 5Vrms to 1000V(6Vdc to 1465Vdc).
- Fast response time of less than 25nS,instantly Clamping the transient over Voltage.
- High surge current handling capability.
- High energy absorption capability.
- Low Clamping voltages, providing better surge protection.
- Low capacitance values, providing digital switching circuitry protection.
- High insulation resistance, preventing electric arching to the adjacent devices or circuits.

APPLICATIONS

- Transistor,Diode,IC,Thyristor or Triac semiconductor protection.
- Surge protection in consumer electronics.
- Surge protection in Industrial electronics.
- Surge protection in electronic home appliances, gas and petroleum appliances.
- Relay and electromagnetic valve surge absorption.

GENERAL CHARACTERISTICS DEFINITION

- Operating Temperature: -40°C~+85°C.
- Storage Temperature: -40°C~+85°C.
- Working Surface Temperature: +115°C.
- Insulation Resistance: >100MΩ.

ORDERING INFORMATION

14 D 241 K
 ① ② ③ ④

- ① Size: 14: φ14.0mm;
- ② Type: D: Disk, S: Square;
- ③ Varistor voltage: 241—— $24 \times 10^1 = 240V$;
- ④ Tolerance: K=±10%,L=±15%,M=±20%;

PACKAGING

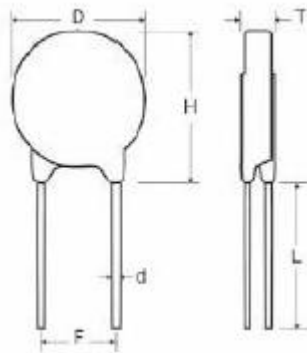
Model	Component Package	Quantity
14D241K	14.0mm	500

ELECTRICAL CHARACTERISTIC

Part Number		Maximum allowable voltage		Varistor voltage	Clamping voltage (Max.)	Maximum peak current (8/20μs)		Maximum Energy current (10/1000μs)		Rated power	Typical capacitance (Reference)
Standard	High surge	VAC (V)	DC (V)	V1.0mA (V)	(V)	Standard (A)	High surge (A)	Standard (J)	High surge (J)	(W)	@1KHz(pf)
14D241K	14D241KJ	150	200	240(216-264)	395	2500	5000	82.6	86.0	0.6	830

DIMENSIONS

(unit: mm)



Part No.	D Max.	H Max.	L Min.	F±0.8	d±0.05	T Max.
14D241K	16.5	18.0	20.0	7.5	0.8	6.5