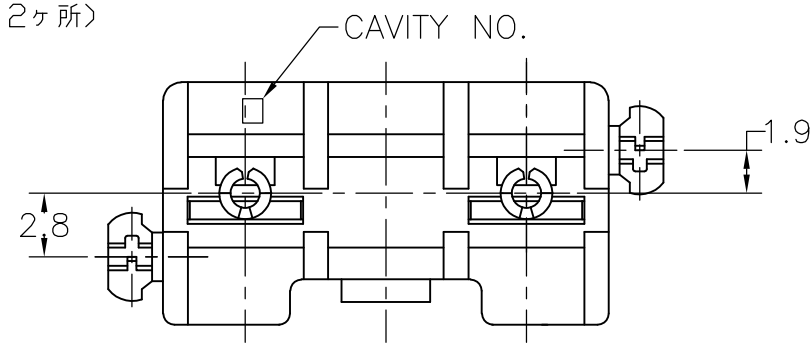
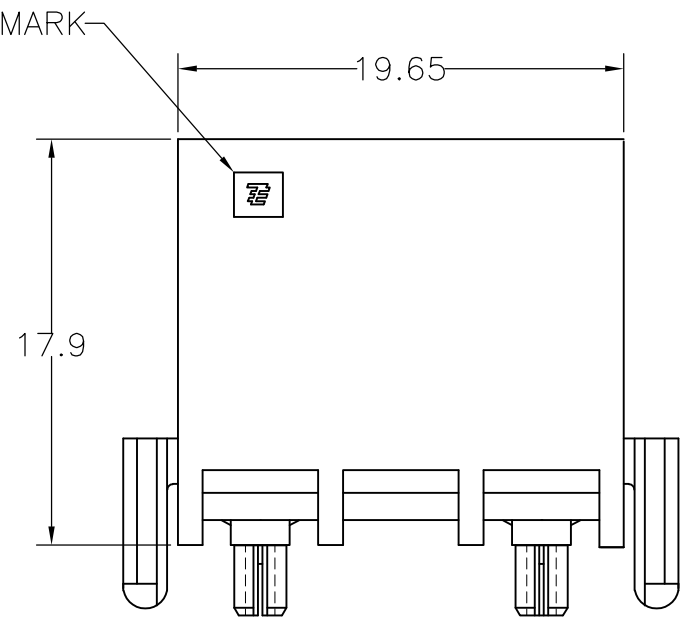
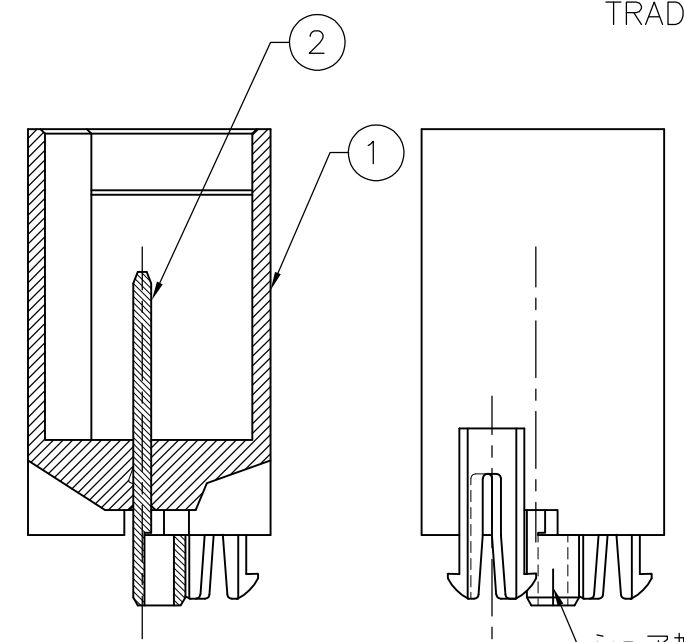
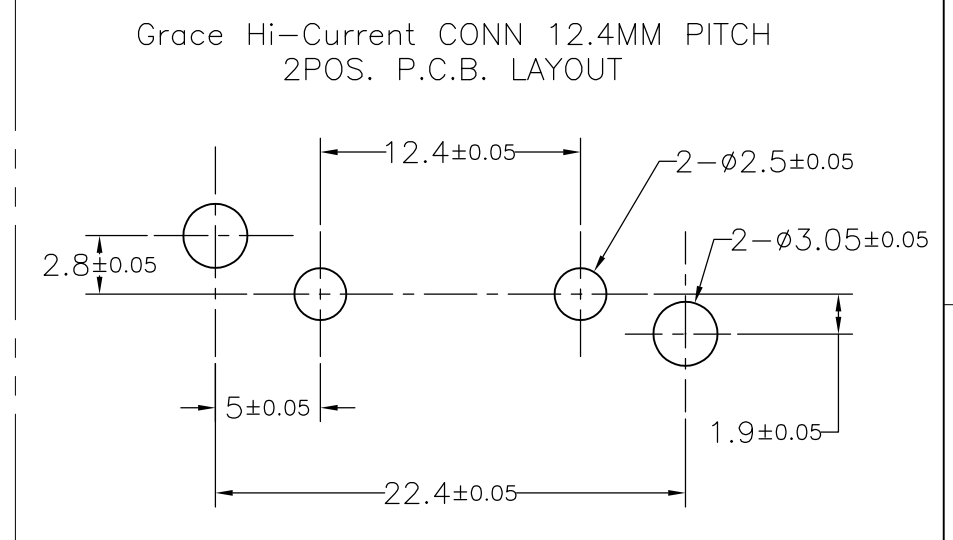
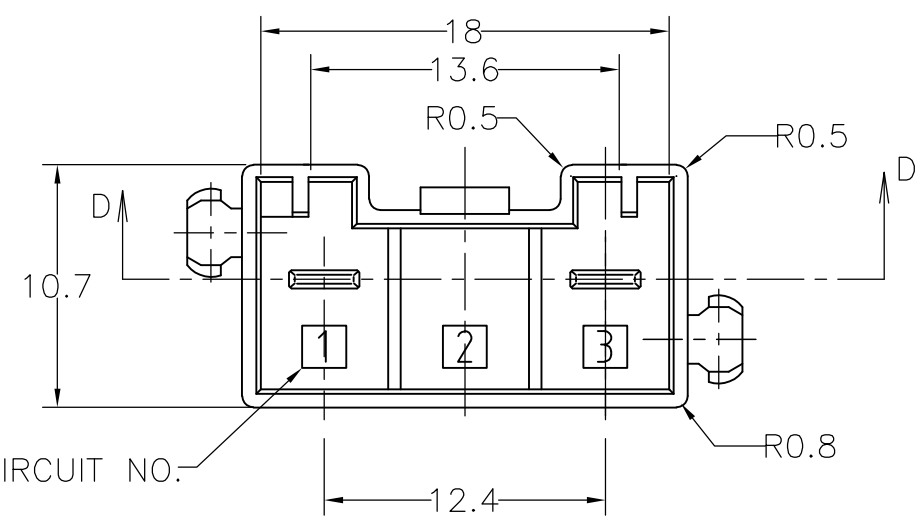


THIS DRAWING IS UNPUBLISHED. RELEASED FOR PUBLICATION
 © COPYRIGHT BY TYCO ELECTRONICS CORPORATION. ALL RIGHTS RESERVED.

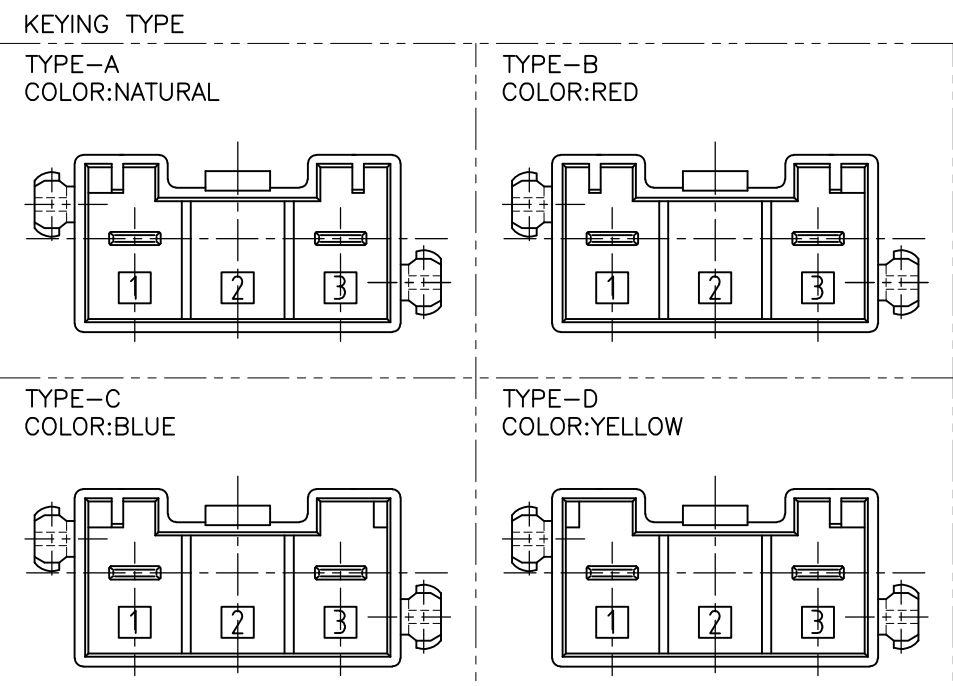
LOC	DIST	REVISIONS					
J	—	P	LTR	DESCRIPTION	DATE	DWN	APVD
			B1	REVISED PER ECR-10-019989	05OCT10	HMR	TM

注)
 △嵌合相手製品型番
 プラグハウジング：SEE TABLE
 リセコンタクト：1746971-1
 ：1746972-1
 △色むらが出る可能性があります。

NOTES)
 △MATING CONN. P/N
 PLUG HOUSING：SEE TABLE
 REC CONTACT：1746971-1
 ：1746972-1
 △AN UNEVEN COLORING MIGHT COME OUT.



NO.	名称(NAME)	材料(MATERIAL)
②	ヘッダーハウジング (HEADER HOUSING)	6/6ナイロンガラス強化 (6/6 NYLON GRASS FILLED)
①	タブ(TAB)	錫めっき済み銅合金 (COPPER ALLOY TIN PLATED)



THIS DRAWING IS A CONTROLLED DOCUMENT.

DWN	A.OISHI	7DEC2004
CHK	N.YAMASAKI	7DEC2004
APVD	S.MANABE	7DEC2004
PRODUCT SPEC	製品規格	108-78232
APPLICATION SPEC	取付適用規格	—
WEIGHT	—	—

Tyco Electronics AMP K.K. Kawasaki, Japan

NAME 名称: GRACE HI CURRENT CONNECTOR(GHC) EYELET 12.4 MM PITCH 2POS HEADER ASSY

SIZE	CAGE CODE	DRAWING NO	RESTRICTED TO
A3	00779	G-1747996	—

CUSTOMER DRAWING

SCALE	SHEET	REV
尺度 3:1	1 OF 1	B1