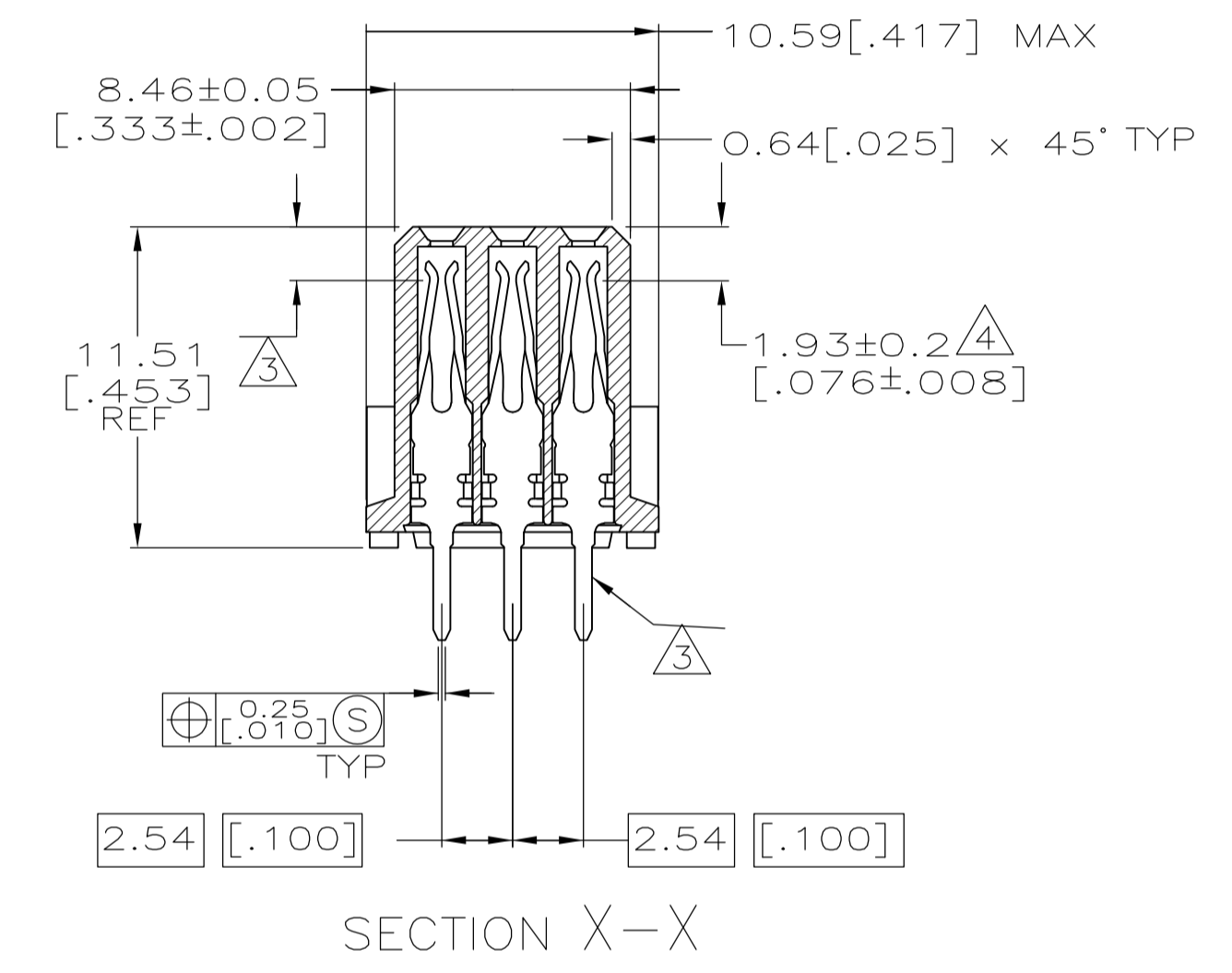


- 1 HOUSING MATERIAL: GLASS-FILLED POLYMER.
- 2 CONTACT MATERIAL: COPPER ALLOY.
- 3 CONTACT FINISH: DIN 41612 CLASS 2 IN CONTACT AREA. TIN PLATE ON POSTS.
- 4 CONTACT POINT.
- 5 RECOMMENDED HOLE SIZE FOR MANUAL APPLICATION OF CONNECTOR ONTO PC BOARD.
- 6 PART NUMBER, DATE CODE IDENTIFICATION, CSA LOGO IN THIS APPROXIMATE AREA, ON REVERSE SIDE.
- 7 CONTACT FINISH: 0.000076 [.000003] MIN GOLD IN CONTACT AREA. 0.00127 [.000050] NICKEL UNDERPLATE ALL OVER. TIN ON POSTS. CONTACT AREA LUBRICATED WITH BELLCORE APPROVED LUBRICANT, TECHNICAL REFERENCE GR-1217-CORE, ISSUE 1, NOVEMBER 1995.
- 8 HOUSING MATERIAL: HIGH TEMP GLASS-FILLED POLYMER.



MATERIAL	FINISH	POSITIONS LOADED	ROWS LOADED	NO. OF LOADED POSITION	PART NUMBER
		1 THRU 16	X X X	48	5535070-8
		1 THRU 16	X X X	48	5535070-5
		1 THRU 16	X X X	48	5535070-4
		1 THRU 16	X X X	48	5535070-3

THIS DRAWING IS A CONTROLLED DOCUMENT.		DIN J. POLIGNONE 27MAY05		STE TE Connectivity	
DIMENSIONS: mm [INCHES]		TOLERANCES UNLESS OTHERWISE SPECIFIED:		APVD A. SHARPE 27MAY05	
0 PLC ± -		1 PLC ± -		NAME ASSEMBLY, RECEPTACLE, EUROCARD, 1/2C, LEAD-FREE, 48 POSITION, 3.30[.130] SOLDER POSTS	
2 PLC ± -		3 PLC ± 0.13[.005]		PRODUCT SPEC	
4 PLC ± -		ANGLES ± -		APPLICATION SPEC	
MATERIAL SEE TABLE		FINISH SEE TABLE		SIZE A1	
WEIGHT -		DRAWING NO. 00779		PART NO. 5535070	
CUSTOMER DRAWING		SCALE 4:1		SHEET 1 OF 1	