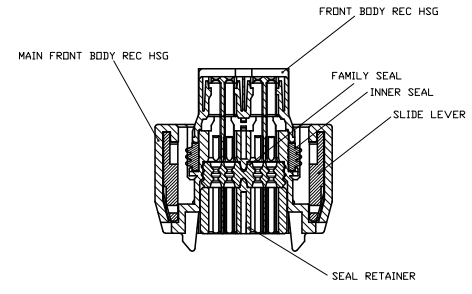
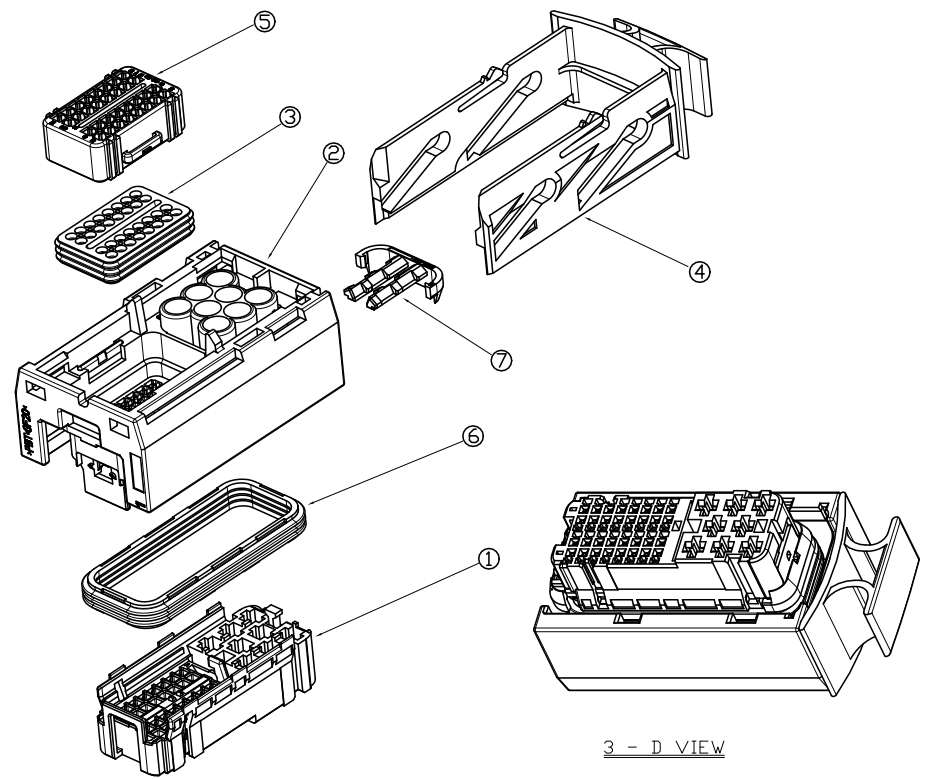
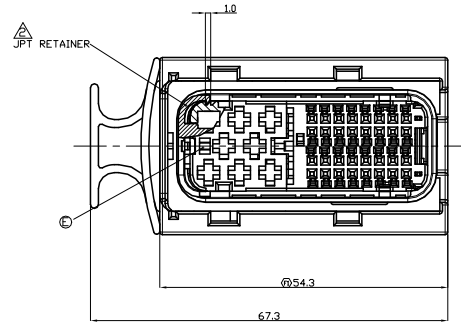


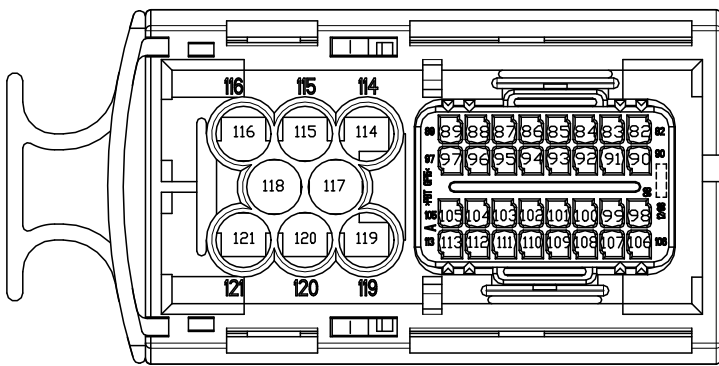
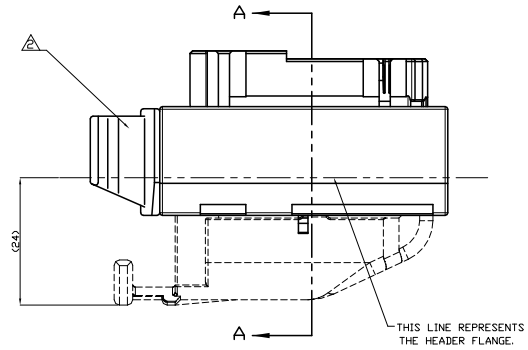
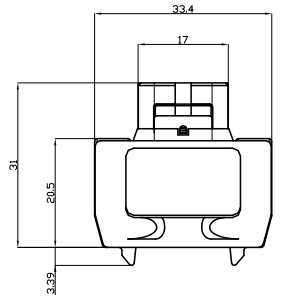
REV. NO.	DATE	BY	CHK	APPV
F	APR.18.07	YH	JK	
F1	FEB.25.08	JH	JK	



SECT. A-A



3 - D VIEW



CIRCUIT NUMBER LAYOUT
 SCALE(4/1)

368383-4	82,83,86,87,88,90,91,97,105,111,112.	④③③
368383-3	82,84,86,87,90,91,95,96,98,100,103,104,111,112.	④
368383-2	82,84,86,87,89~92,94~98,100,103~105,111~113.	④
368383-1	-	
PART NUMBER	BLANKED CAVITIES	

- NOTES
- GENERAL TOLERANCE IS ± 0.5
 - CONDITION OF DELIVERY : SLIDE LEVER IN CLOSED POSITION, JPT RETAINER IN OPEN POSITION.
 - SUITABLE FOR WIRE SIZE RANGE:

CONTACT	MQS	JPT
CIRCUIT NO.	82 - 113 114 - 121	
WIRE SIZE(mm ²)	0.5 - 0.75	0.5 - 2.5
 - APPLIED COVER HSG P/N: 368401

CONTACT	MQS	JPT
Part NO.	968220 968221	964286 964273
WIRE SIZE(mm ²)	0.5 0.75	0.5 - 1.0 1.0 - 2.5
 - APPLIED HEADER ASSEMBLY P/N: 368146.

NO.	Part NO.	DESCRIPTION	MATERIAL	COLOR	Q'TY
7	368381-1	JPT RETAINER FOR 40P	PBT-GF30	YELLOW	1
6	368907-1	INNER SEAL FOR 40P	SILICONE	DRANGE	1
3	368387-4			BLUE	1
5	368387-3	SEAL RETAINER FOR 40P	PBT-GF15	WHITE	1
368387-2				GRAY	1
368387-1				BLACK	1
4	368386-1	SLIDE LEVER FOR 40P	PA66-GF35	BLACK	1
3	368906-1	32P FAMILY SEAL	SILICONE	DRANGE	1
2	368385-1	MAIN BODY REC. HSG FOR 40P	PBT-GF20	BLACK	1
1	368384-1	FRONT BODY REC. HSG FOR 40P	PA66-GF15	BLACK	1

TYCO ELECTRONICS CORPORATION
 AMP KOREA, Kyungson, Korea

DATE: 02/25/08
 DRAWN BY: YH
 CHECKED BY: JK
 APPROVED BY: JK

PRODUCT SPEC: 108-61039
 APPLICATION SPEC: 114-18050, 114-18021-1
 SIZE: 100779
 WEIGHT: 368383

CUSTOMER DRAWING
 SCALE: 2:1
 SHEET: 1 OF 1
 REV: F1