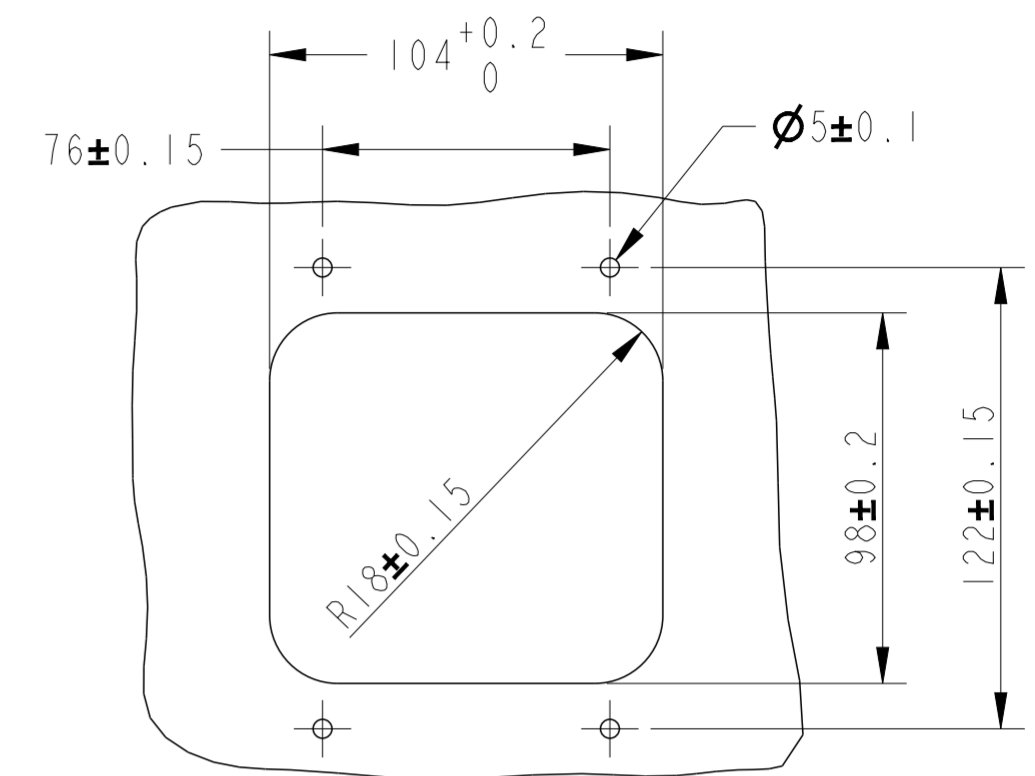
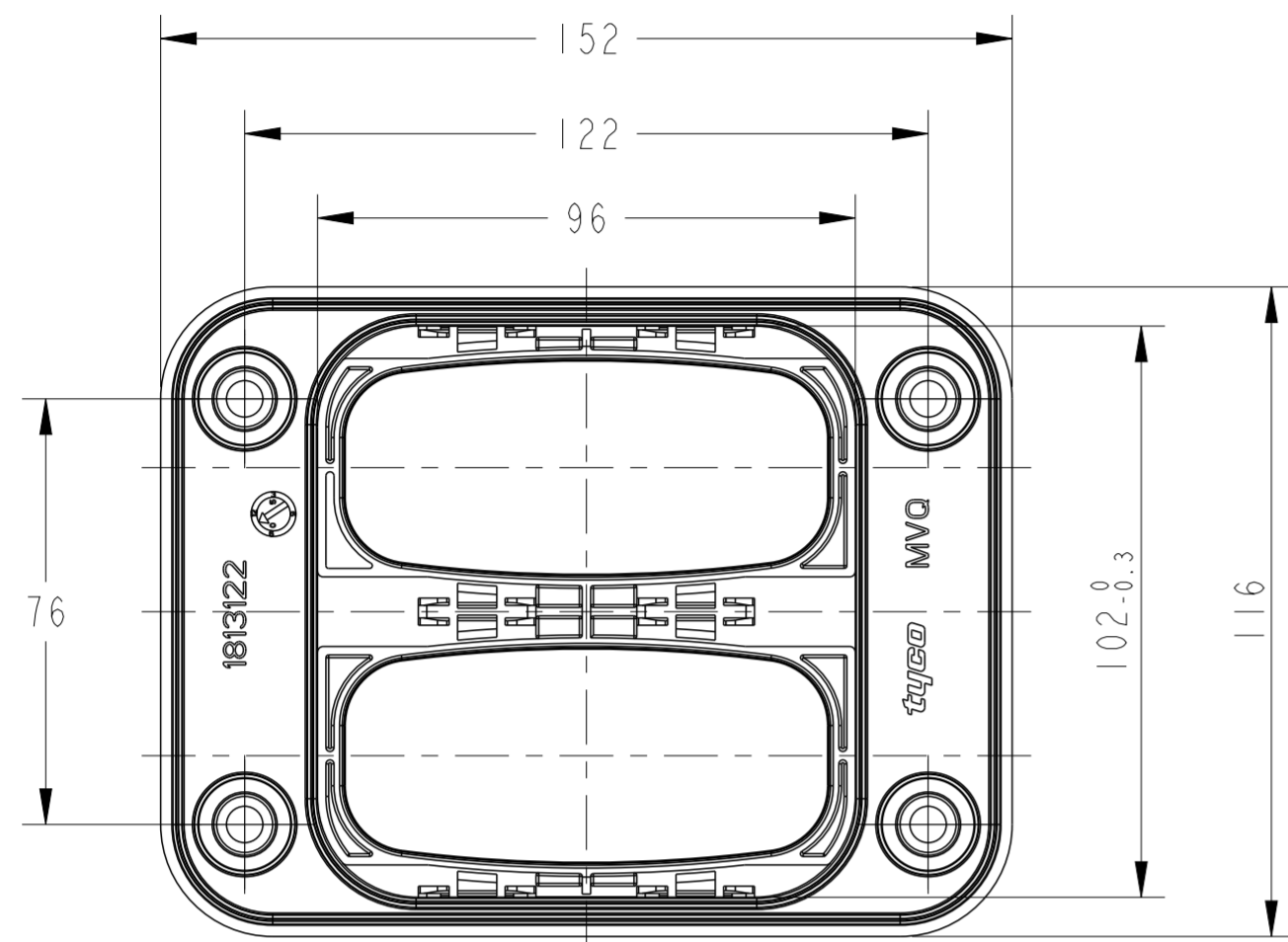
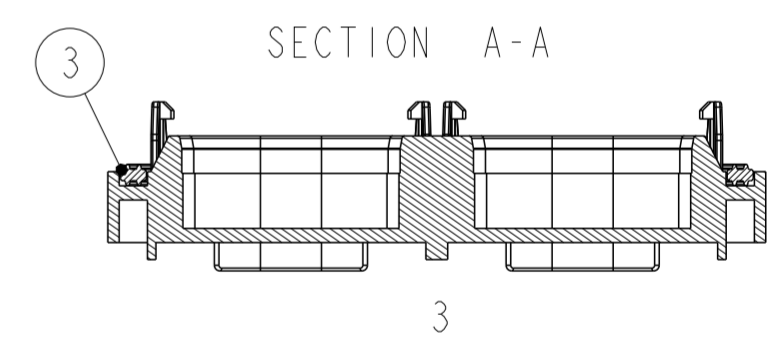
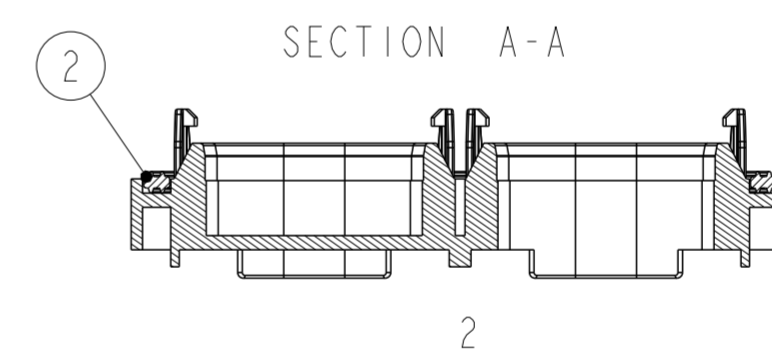
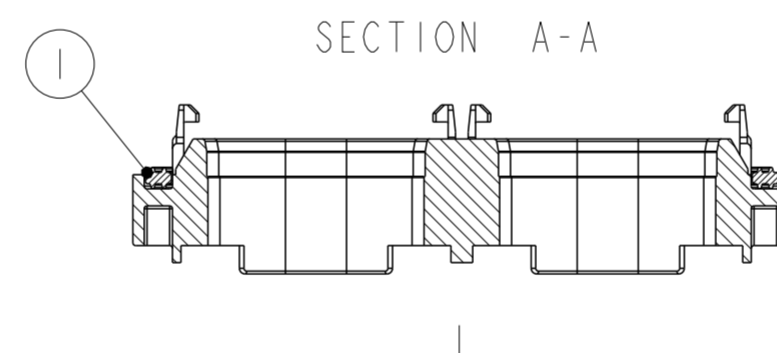
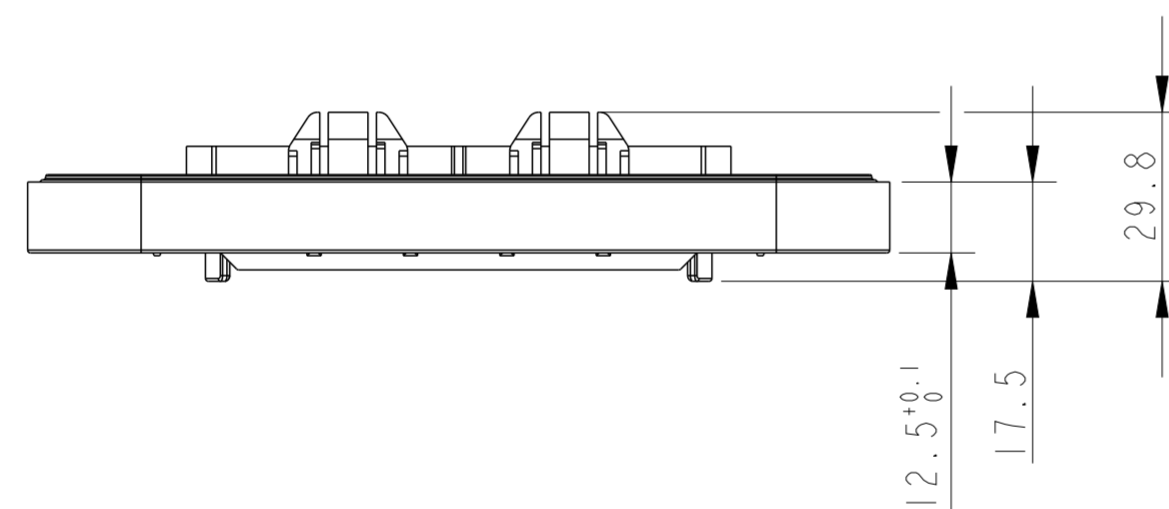


REVISIONS					
P	LTR	DESCRIPTION	DATE	DWN	APVD
A		RELEASED	23NOV06	A.S	K.O
B		ADD NEW PART NUMBER	26JUN07	R.ZH	K.O
BI		ECR-22-126075	10JAN22	J.M	Z.Z



NOTES  
 1. THE TEMPLAT IS SHOWN FROM SUPPORT PLATE INSERTION SIDE.  
 2. PROFILE TOLERANCE ALL AROUND THE TEMPLAT  
 3. GENERAL TOLRANCE, ±0.2mm.



BI 1813121-PBT GF30;  
 1813122-LS2040/HCR 2930 UC+2950 UC

PART NO	DESCRIPTION	ITEM NO
1813123-3	SUPPORT PLATE FOR 62 POS TAB HOUSING, 0LAYOUT	3
1813123-2	SUPPORT PLATE FOR 62 POS TAB HOUSING, 1LAYOUT	2
1813123-1	SUPPORT PLATE FOR 62 POS TAB HOUSING, 2LAYOUT	1

THIS DRAWING IS A CONTROLLED DOCUMENT.		DWN A.S	23NOV06	<b>STE</b> TE Connectivity													
DIMENSIONS: in		CHK R.ZHOU	25NOV06														
TOLERANCES UNLESS OTHERWISE SPECIFIED:		APVD K.ODA	27NOV06														
<table border="0"> <tr><td>0 PLC</td><td>±</td></tr> <tr><td>1 PLC</td><td>±0.5</td></tr> <tr><td>2 PLC</td><td>±0.13</td></tr> <tr><td>3 PLC</td><td>±0.073</td></tr> <tr><td>4 PLC</td><td>±0.0001</td></tr> <tr><td>ANGLES</td><td>±</td></tr> <tr><td>FINISH</td><td>-</td></tr> </table>		0 PLC	±		1 PLC	±0.5	2 PLC	±0.13	3 PLC	±0.073	4 PLC	±0.0001	ANGLES	±	FINISH	-	PRODUCT SPEC -
0 PLC	±																
1 PLC	±0.5																
2 PLC	±0.13																
3 PLC	±0.073																
4 PLC	±0.0001																
ANGLES	±																
FINISH	-																
MATERIAL 1		APPLICATION SPEC -	RESTRICTED TO -														
		WEIGHT -	SIZE A2	CAGE CODE 00779													
		CUSTOMER DRAWING	DRAWING NO C-1813123	SCALE 1:2													
			SHEET 1	OF 1													
			REV BI														