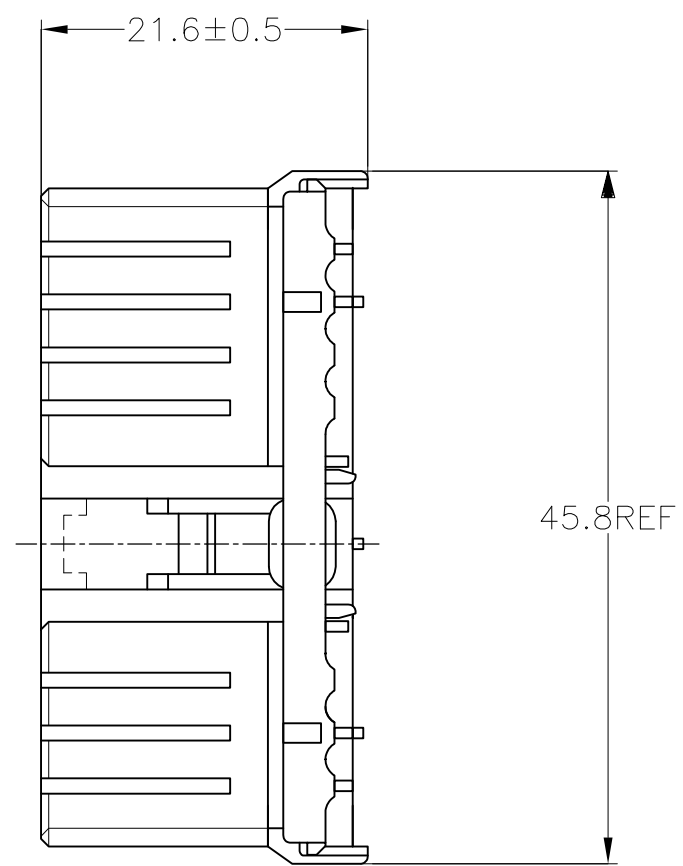
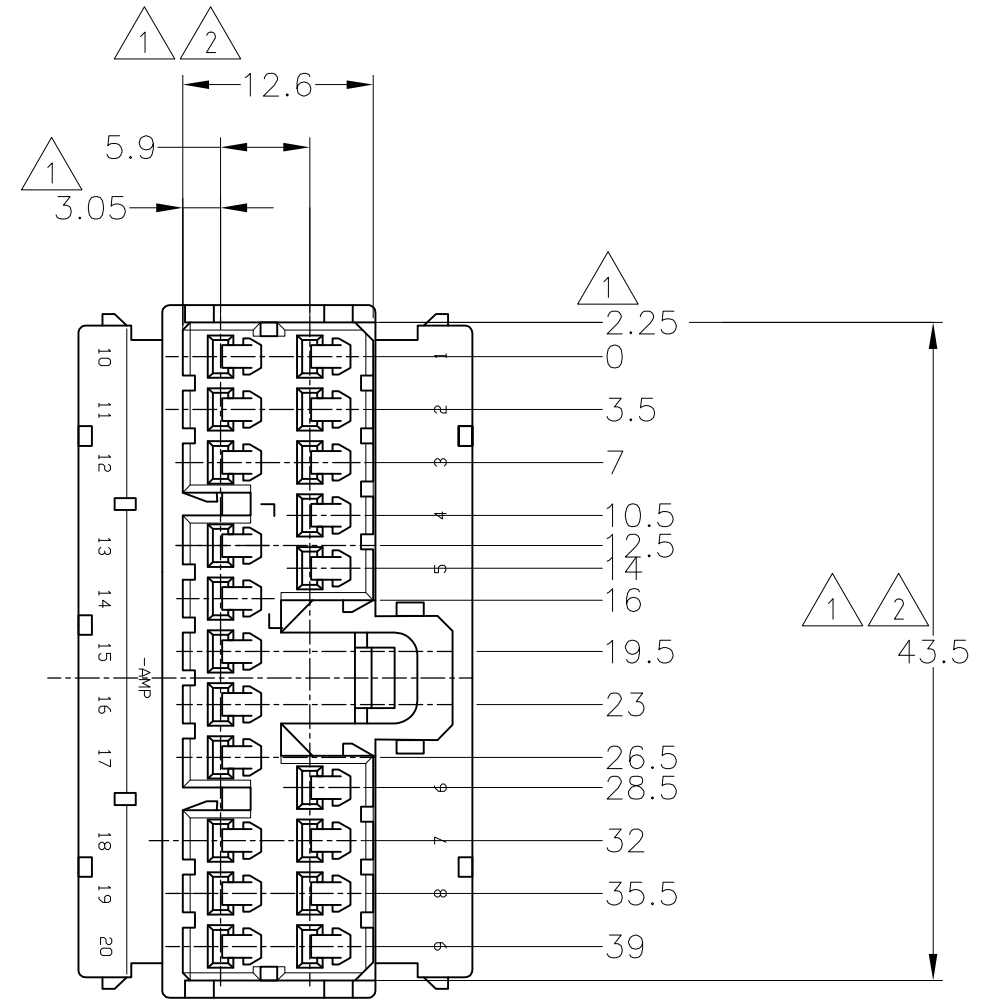
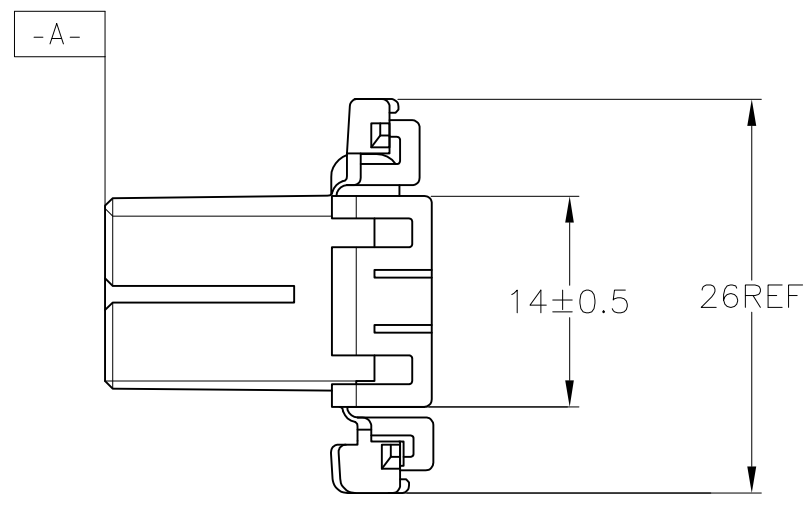


THIS DRAWING IS UNPUBLISHED. RELEASED FOR PUBLICATION
 © COPYRIGHT 2019 By Tyco Electronics Japan G.K. ALL RIGHTS RESERVED.

| REVISIONS | | | | | |
|-----------|-----|-----------------------|-----------|-----|------|
| P | LTR | DESCRIPTION | DATE | DWN | APVD |
| | E5 | REVISED ECR-19-009995 | 04OCT2019 | DM | HK |



- MUST BE KEPT BETWEEN -A- AND 2
 - TO BE MATED WITH PLUG HOUSING SMOOTHLY
 - APPLIED TAB CONTACT; P/N 173630 AND 173631
 - APPLIED CAP HOUSING; P/N 174936 etc
- A- 面より2mmの範囲で測定
 - 相手ハウジングと所定の機能を満足して嵌合できること
 - 内装するタブコンタクトは型番173630、173631
 - 嵌合相手ハウジング型番174936 他



| | | |
|---------------------------------------|---------------|------------------|
| V-2 | 自然色 (NATURAL) | 1-174952-1 |
| HB | 黄 (YELLOW) | 174952-7 |
| | 灰 (GRAY) | 174952-6 |
| | 青 (BLUE) | 174952-5 |
| | 緑 (GREEN) | 174952-4 |
| | 黒 (BLACK) | 174952-2 |
| | 自然色 (NATURAL) | 174952-1 |
| 使用材料難燃グレード (FLAMMABILITY OF MATERIAL) | 色 (COLOR) | 型番 (PART NUMBER) |

TOLERANCES UNLESS OTHERWISE SPECIFIED:
 一般公差

| | |
|-----------|-------|
| 10 ≥ | ±0.2 |
| 30 ≥ > 10 | ±0.25 |
| > 30 | ±0.3 |
| ANGLE | 3° |

THIS DRAWING IS A CONTROLLED DOCUMENT.

| | |
|----------------|--|
| DIMENSIONS: mm | TOLERANCES UNLESS OTHERWISE SPECIFIED: |
| | 0 PLC ± - |
| | 1 PLC ± - |
| | 2 PLC ± - |
| | 3 PLC ± - |
| | 4 PLC ± - |
| | ANGLES ± - |
| MATERIAL PBT | FINISH - |

| | | | | |
|-----------------------|---|-----------|-------------------|---------------|
| DWN S.FUJITA 09DEC08 | STE TE Connectivity | | | |
| CHK K.BETSUI 09DEC08 | | | | |
| APVD K.BETSUI 09DEC08 | NAME 070 SERIES MULTILOCK CONNECTOR 20POSITION PULG HOUSING | | | |
| PRODUCT SPEC | SIZE | CAGE CODE | DRAWING NO | RESTRICTED TO |
| APPLICATION SPEC | | | A3 00779 C-174952 | |
| WEIGHT 7.8 g | CUSTOMER DRAWING | | SCALE 2:1 | SHEET 1 OF 1 |
| | | | | REV E5 |