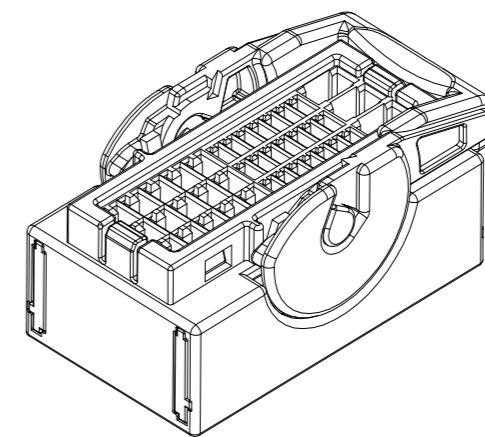
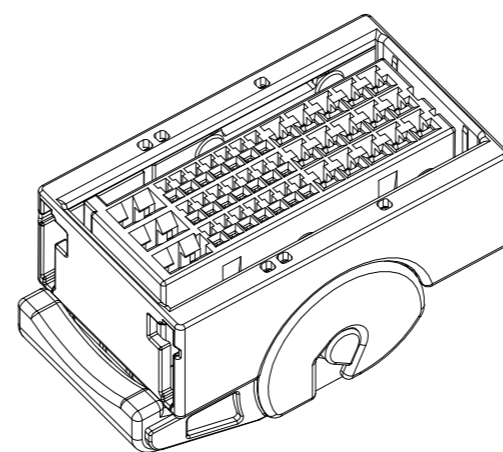
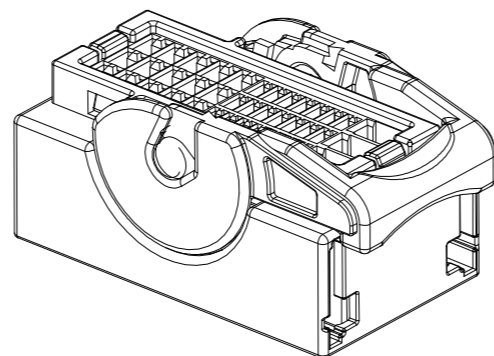
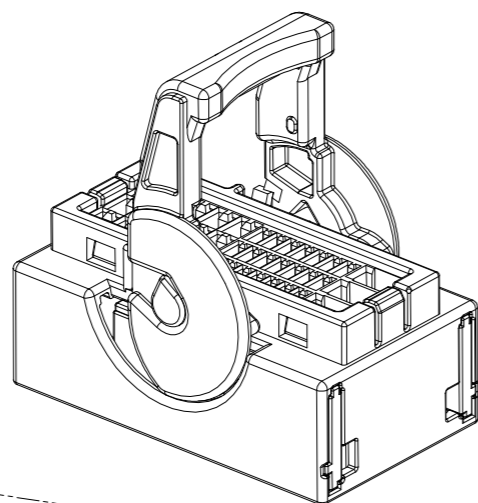
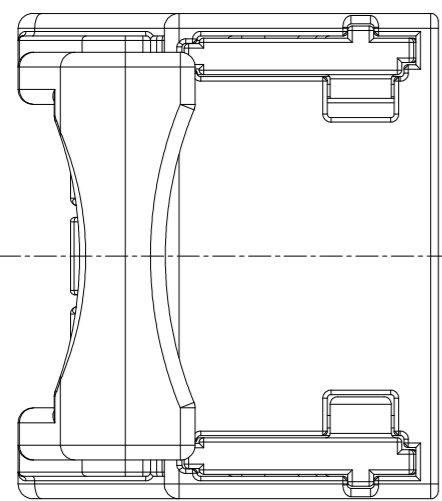
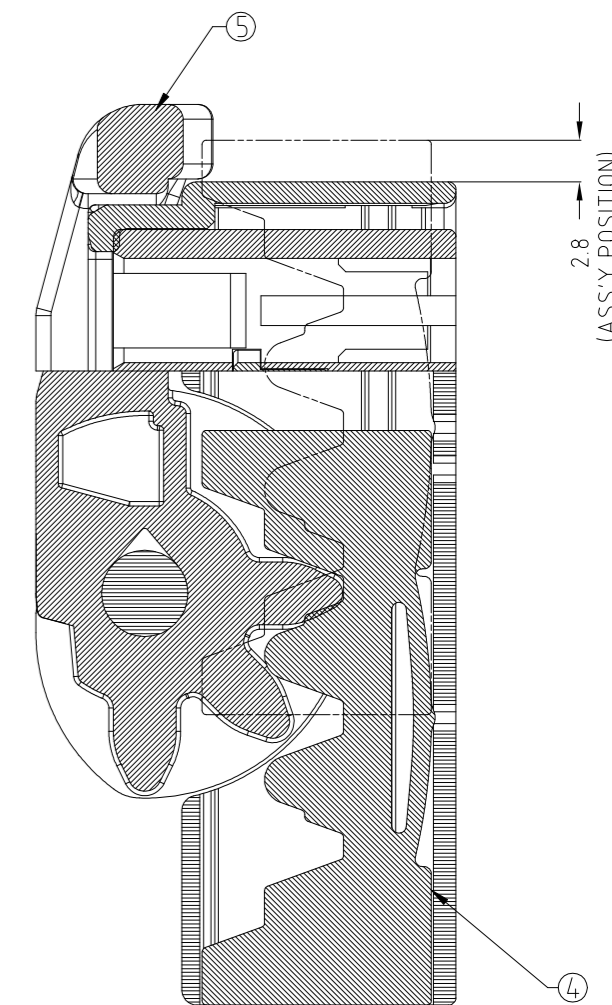


THIS DRAWING IS UNPUBLISHED. RELEASED FOR PUBLICATION. COPYRIGHT BY TYCO ELECTRONICS CORPORATION. ALL RIGHTS RESERVED.

LOC	DIST	REVISIONS					
		P	LTR	DESCRIPTION	DATE	DWN	APVD
DS		A		RELEASE(ECR-18-004830)	03/SEP/18	YJ	YJ

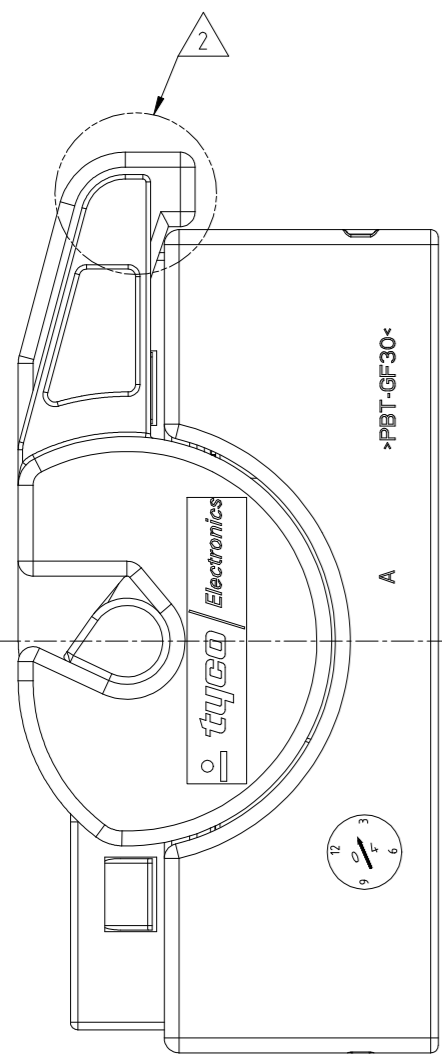


(SCALE 1:1)

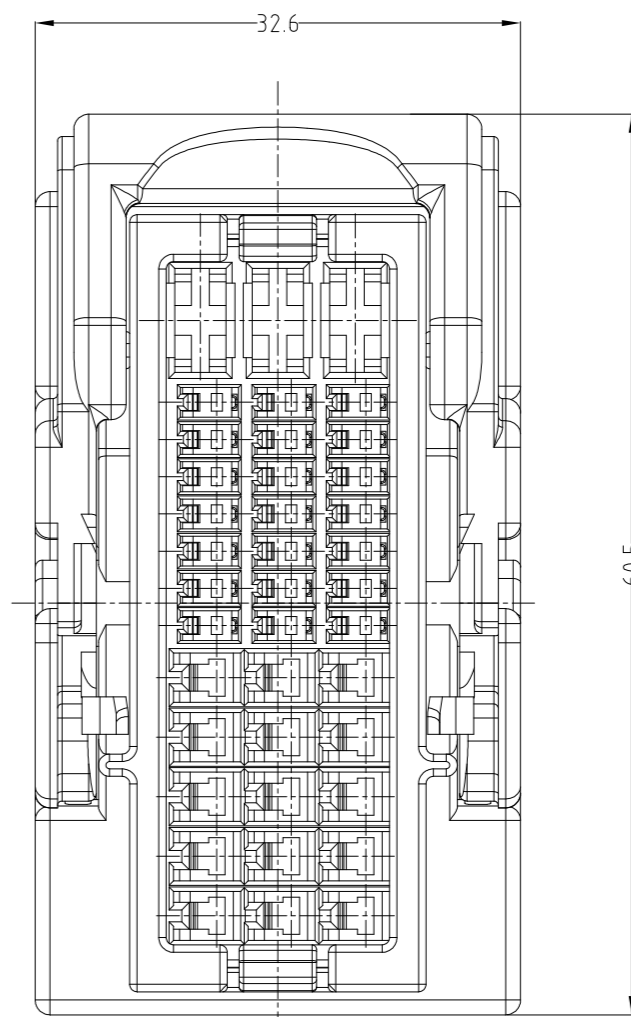
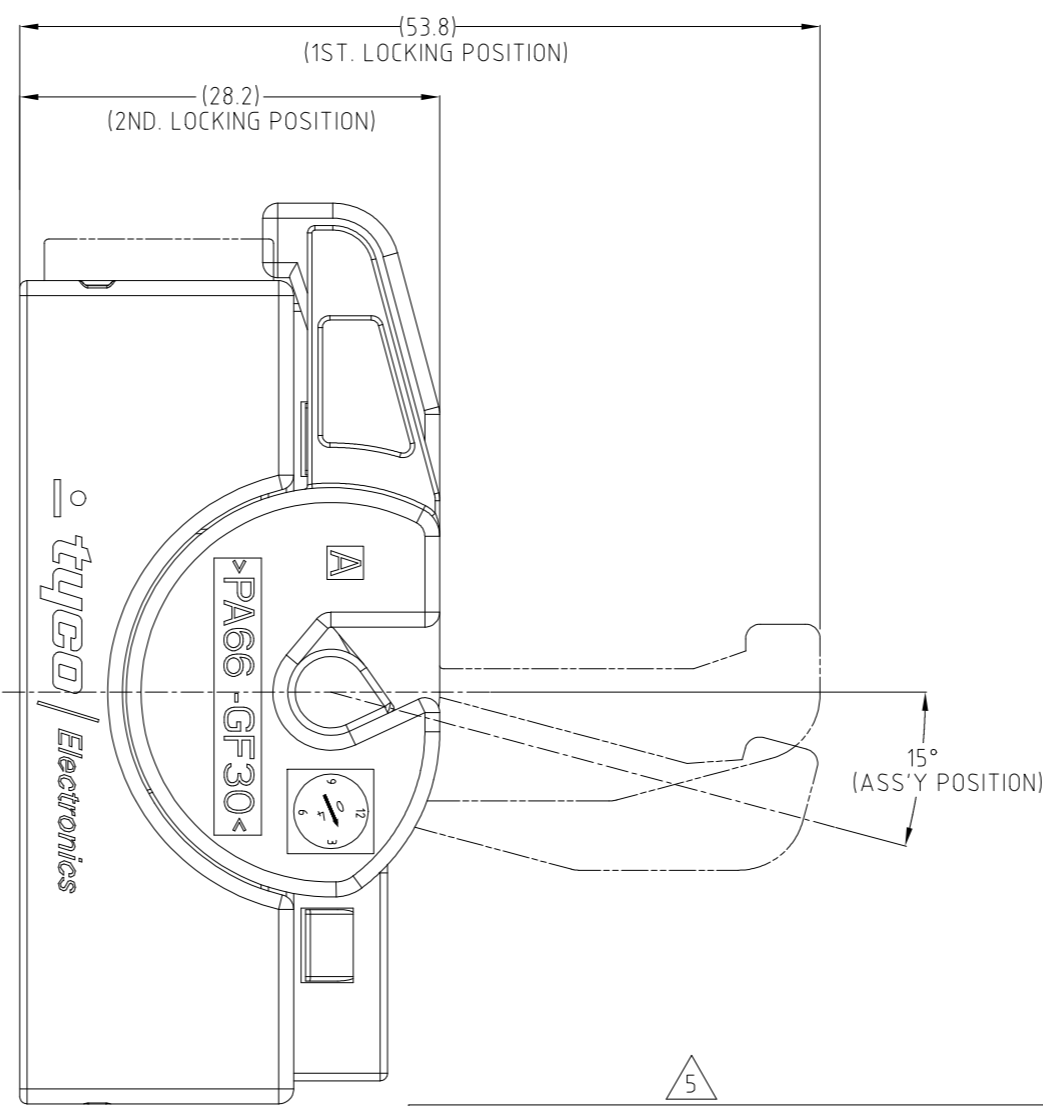
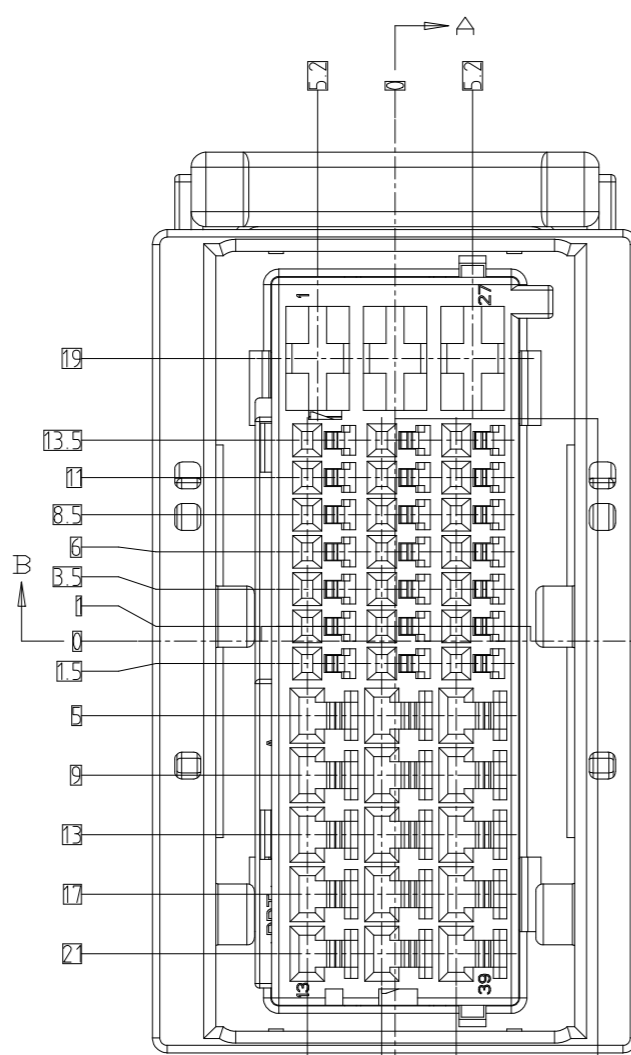


SECTION A-A

2.8 (ASSY POSITION)



SCALE 2:1



60.5

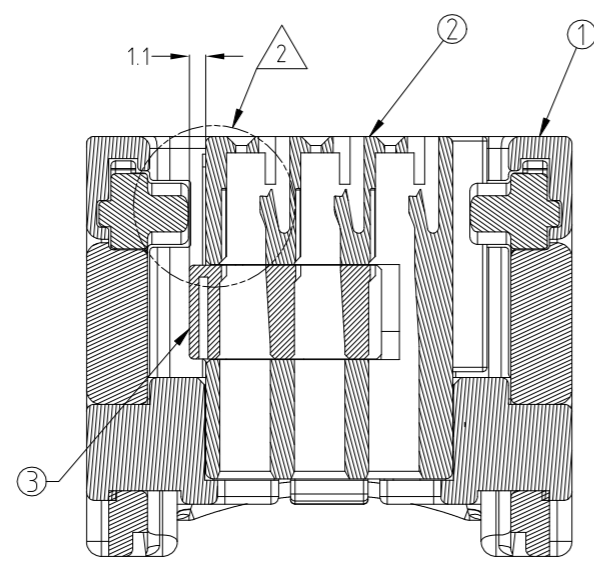
- NOTES:
- GENERAL TOLERANCE IS ±0.3
 - CONDITION OF DELIVERY :
DBL IN 1ST. LOCKING POSITION
LEVER HSG IN 2ND. LOCKING POSITION
 - APPLIED PLUG ASS'Y P/N: X-1743086-X
 - APPLIED REC. CONTACT P/N: TABLE 1
 - CHECK CONVERSION KEY CODE

SHAPE OF CONVERSION TYPE

0-1743089-9(PURPLE)	0-1743089-2(BLACK)	1-1743089-3(GRAY)

TABLE 1-

TYPE	Part NO.	WIRE SIZE(mm ²)	MATERIAL/FINISH
.040	0-316836-1	0.3 - 0.85	CuNiSi ALLOY / PRE-TIN
	0-368085-1	0.3 - 0.5	CuNiSi ALLOY / 0--PRE-TIN / 1--GOLD
	1-368085-1		
	0-368084-1	0.85 - 125	
	1-368084-1		
0-368083-1	2.0		
1-368083-1			
250	0-927824-1	2.5 - 4.0	HIGH COPPER ALLOY / PRE-TIN



SECTION B-B

NO.	P/N	DESCRIPTION	MATERIAL	COLOR	Q'TY		
⑤	0-1743094-2	SLIDE HSG	PBT GF30	BLACK	2	2	2
④	0-1743093-2	LEVER HSG	PA66 GF30	BLACK	1	1	1
③	0-1743092-1	DBL HSG	PBT	NATURAL	1	1	1
②	1-1743091-3	SUB PLUG HSG	PBT	GRAY	-	1	-
①	0-1743091-9	SUB PLUG HSG	PBT	PURPLE	1	-	-
②	0-1743091-2	SUB PLUG HSG	PBT	BLACK	-	-	1
①	0-1743090-9	MAIN PLUG HSG	PBT GF30	PURPLE	1	-	-
①	0-1743090-3	MAIN PLUG HSG	PBT GF30	GRAY	-	1	-
①	0-1743090-2	MAIN PLUG HSG	PBT GF30	BLACK	-	-	1

ASS'Y P/NO.

①	0-1743089-9	1
②	1-1743089-3	1
③	0-1743089-2	1

THIS DRAWING IS A CONTROLLED DOCUMENT FOR TYCO ELECTRONICS CORPORATION. IT IS SUBJECT TO CHANGE AND THE CONTROLLING ENGINEERING ORGANIZATION SHOULD BE CONTACTED FOR THE LATEST REVISION.

DIMENSIONS: mm	TOLERANCES UNLESS OTHERWISE SPECIFIED: 0-XX-10 ± 0.2 10-XX-30 ± 0.25 30-XX ± 0.3 ANGLES ± 3°	DWN : MS HER CHK : BM JANG APVD : CS LEE	<p>AMP KOREA. kyungsan, korea</p>
3rd ANGLE PROJECTION	FINISH	NAME PLUG ASSEMBLY CONNECTOR FOR HYB. 39POS (.040/.090/.250 SIZE "LIF")	
MATERIAL SEE TABLE	WEIGHT	SIZE: A2 CAGE CODE: 00779 DRAWING NO: 1743089	RESTRICTED TO
		SCALE: 2/1	SHEET: 1 OF 1
		REV: A	