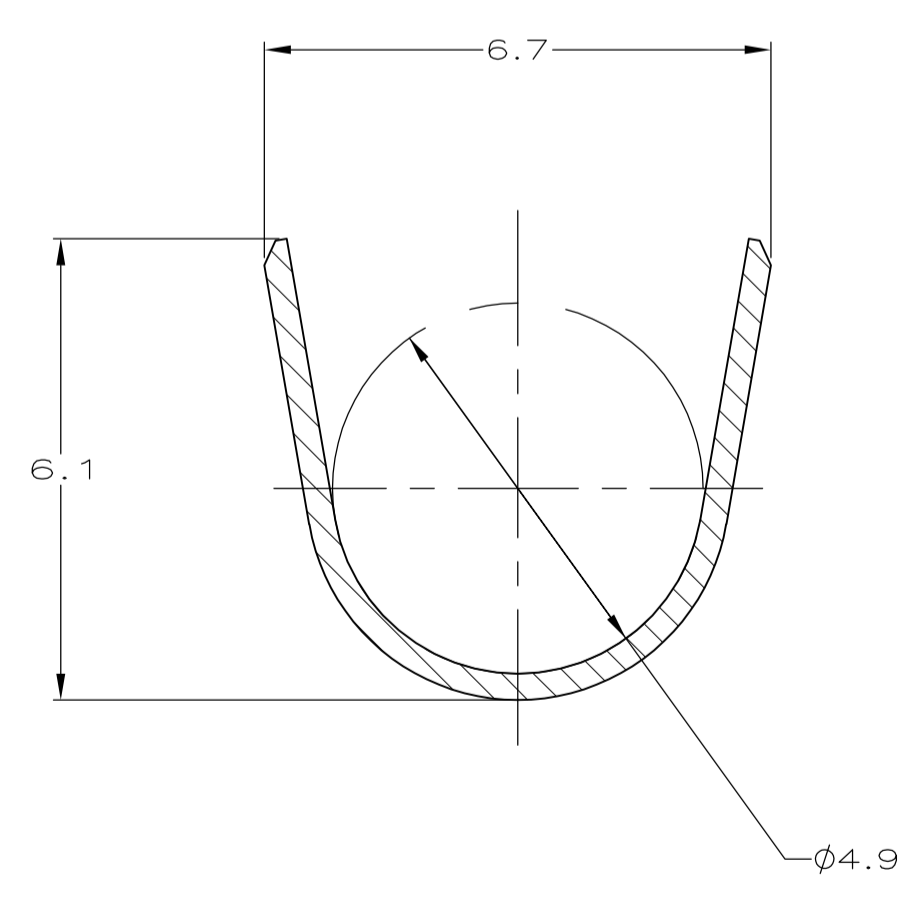
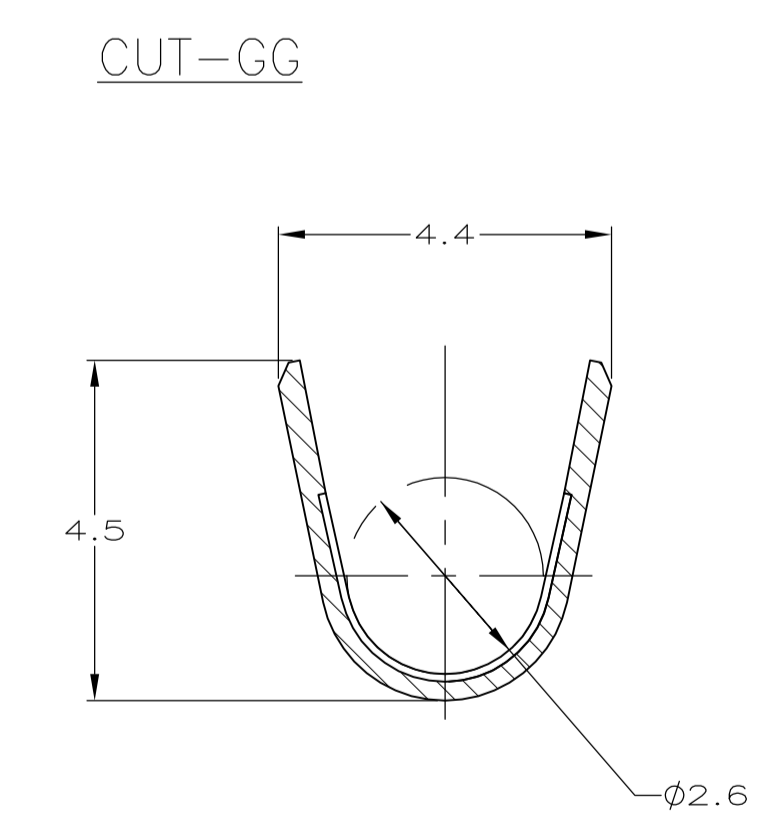
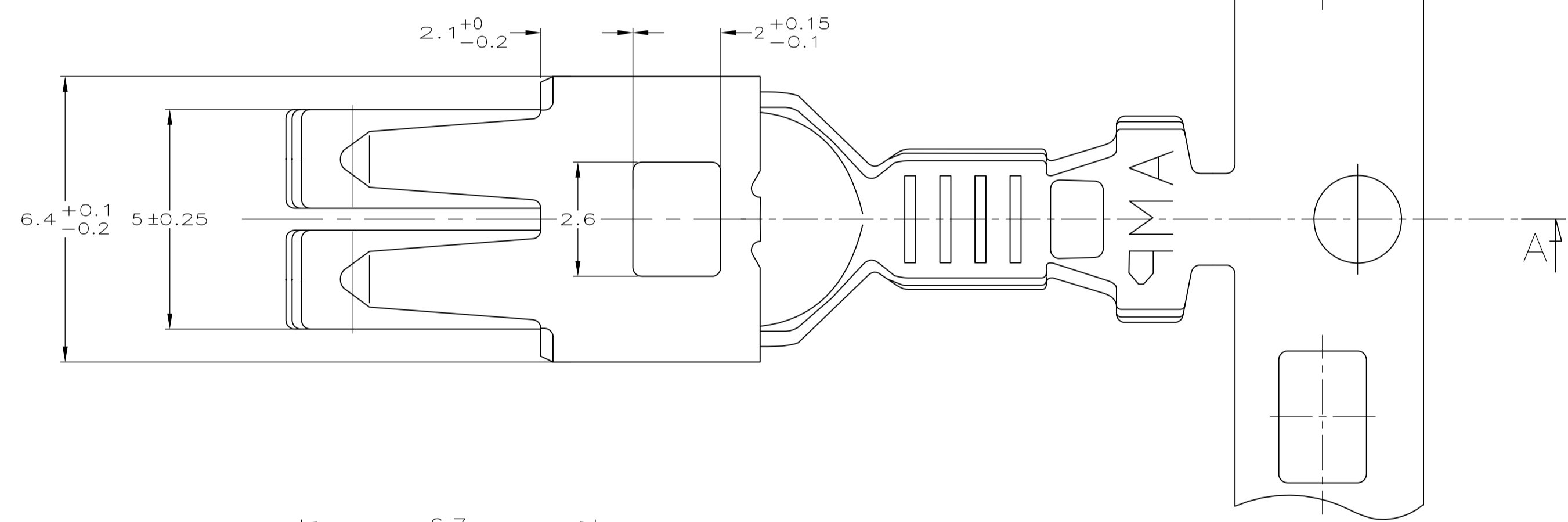
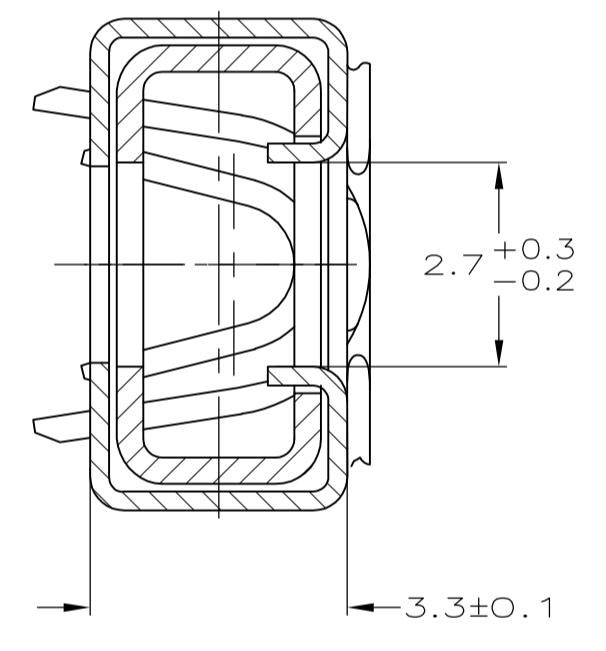
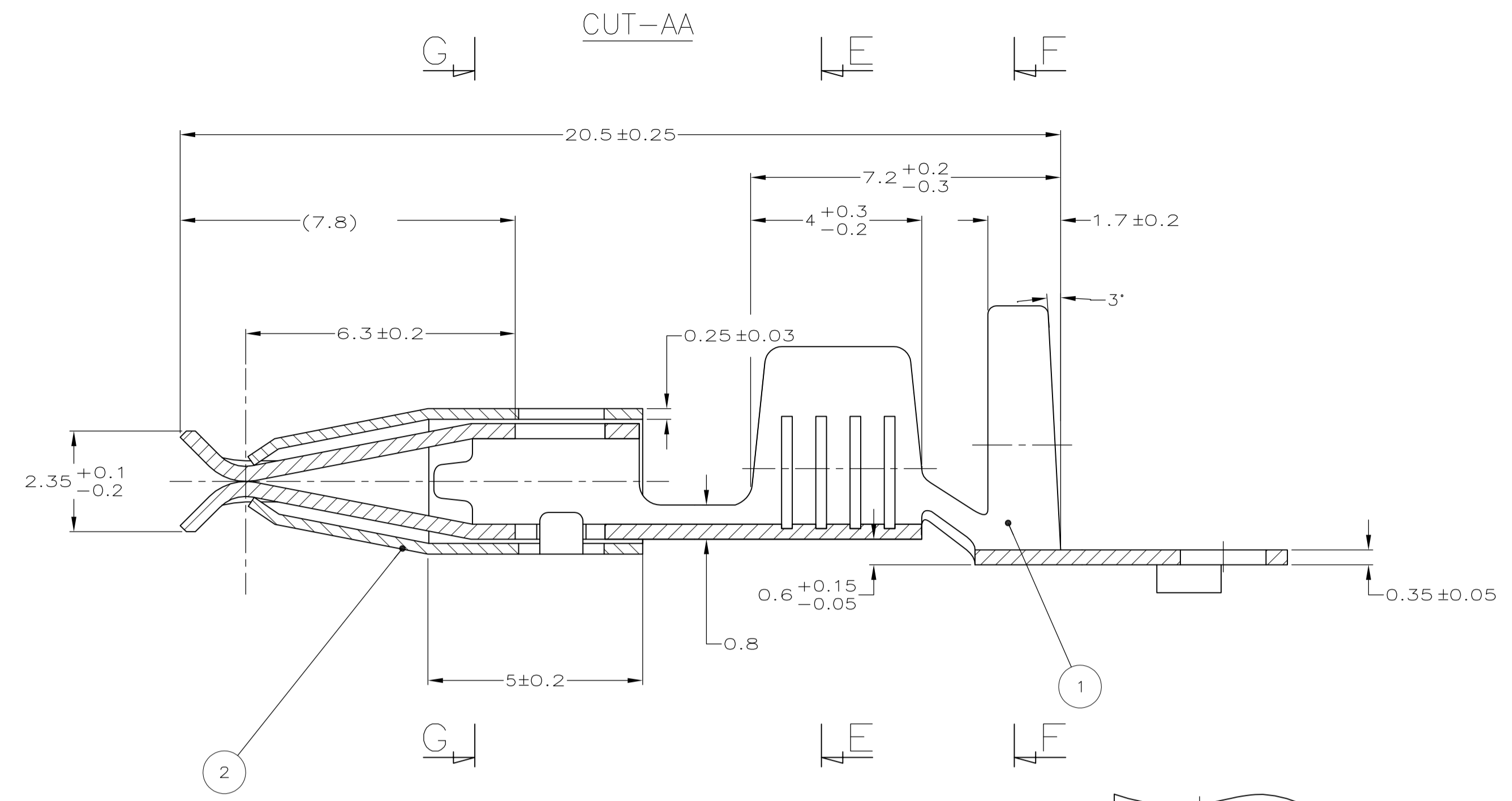


LOC		DIST		REVISIONS				
F	7	P	LTR	DESCRIPTION	DATE	DMN	APVO	
		J2	REV	MODIFICATIONS		DES	APP	
				ECR-12-016110	19JUL2013	SH	RH	



NOTE:  
 \* FOR CRIMP DIMENSION INFORMATIONS CONTACT TE CONNECTIVITY ENGINEERING

963894-1	>2.5-4.0mm²	PLAIN [Sn] 1.0-3.0µm	X12 CrNi18-8 CuSn4	STEEL SPRING BODY	2 1
TE PN	WIRE SIZE	FINISH	MATERIAL	COMPONENT	ITEM NO

THIS DRAWING IS A CONTROLLED DOCUMENT. CE SCHEMA EST UN DOCUMENT CONTROLÉ		DMN/DESSINE SHREESHAIL 08AUG2012	TE Connectivity		
DIMENSIONS: mm		CHK/VERIFIE R. KONRAD 08AUG2012	NAME 6.3mm Receptacle Contact		
TOLERANCES UNLESS OTHERWISE SPECIFIED: TOLERANCES NON SPECIFIEES (SUIV NB DE DECIMALES)		APVO/APPROUVE G. MUMPER 08AUG2012	PRODUCT SPEC SPEL. PRODUIT		
0 PLC / DEC ± 1 PLC / DEC ± 0.2 2 PLC / DEC ± 3 PLC / DEC ± 4 PLC / DEC ± ± 2°		APPLICATION SPEC SPEL. APPLICATION	SIZE FORMA	CAGE CODE DRAWING NO	RESTRICTED TO RESERVE A
MATERIAL MATIERE	FINISH FINITION	WEIGHT MASSE APPROX	A1	00779	963894
SEE TABLE	SEE TABLE	—	CUSTOMER DRAWING/PLAN CLIENT	UNIFORMEMENT POUR REFERENCE	SCALE ECHELLE 10:1
			SHEET FEUILLE 1	OF DE 1	REV