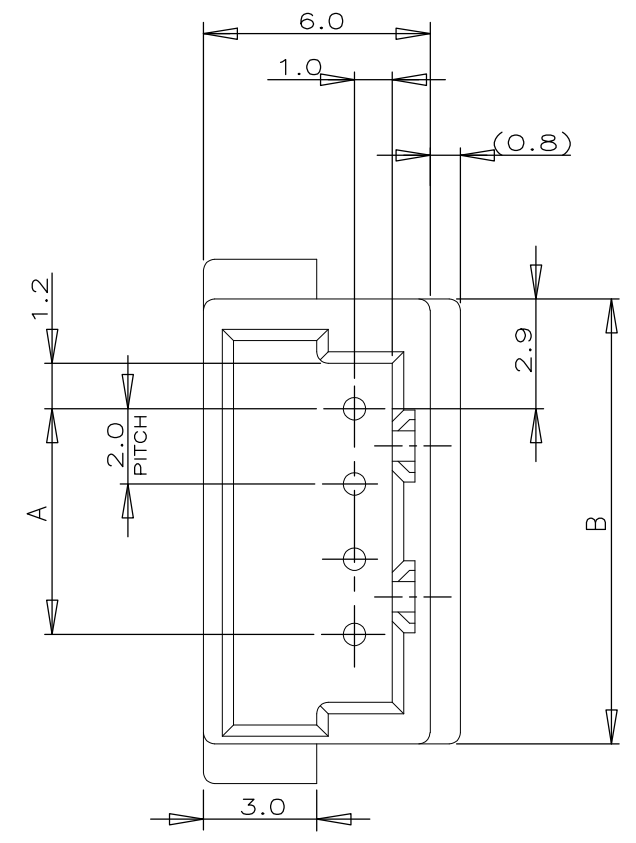
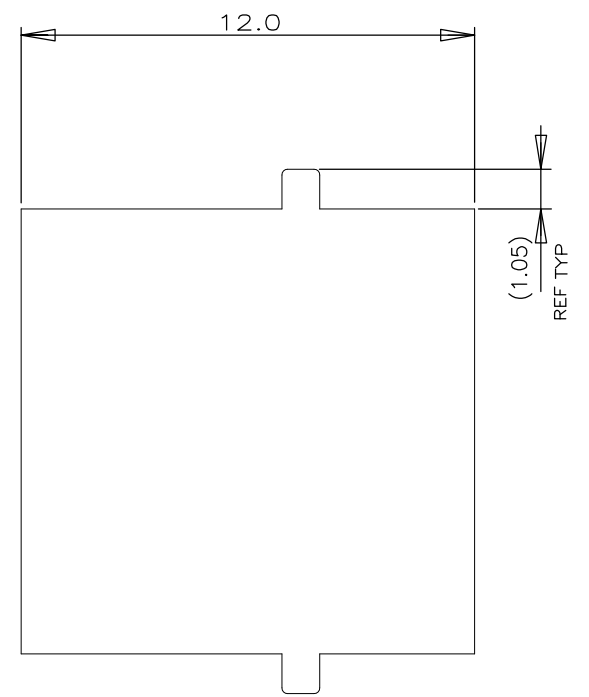
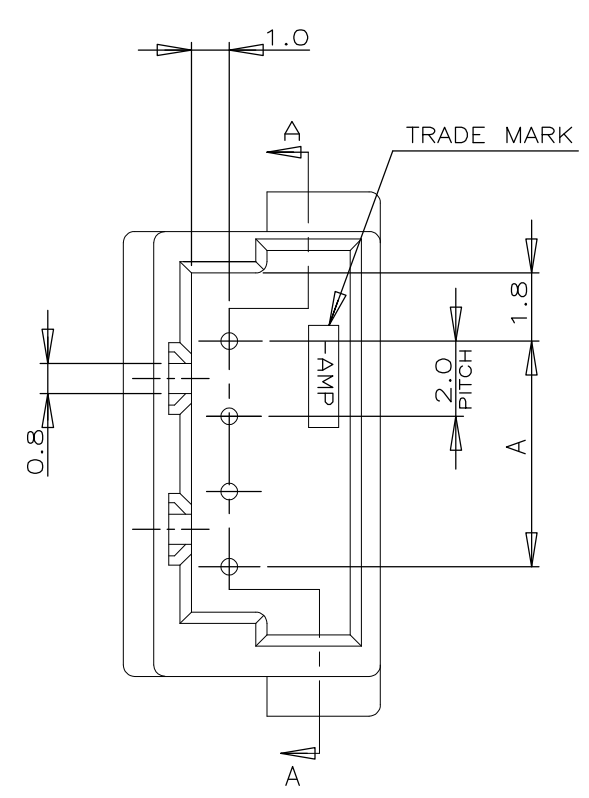
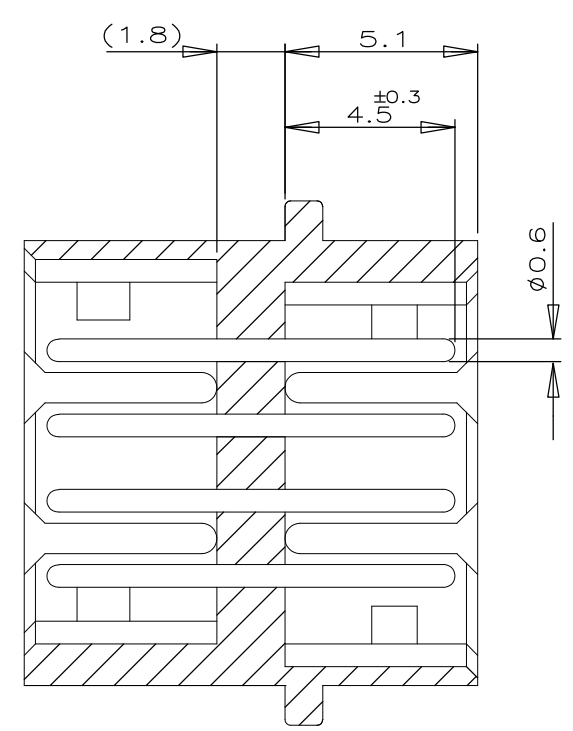
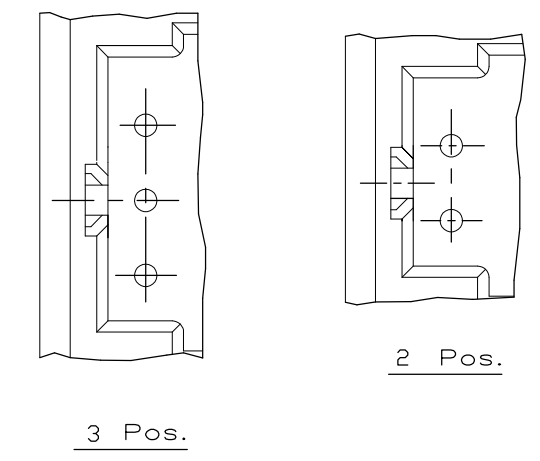


THIS DRAWING IS UNPUBLISHED. RELEASED FOR PUBLICATION
 © COPYRIGHT - By - ALL RIGHTS RESERVED.

LOC	DIST	REVISIONS					
FB	00	P	LTR	DESCRIPTION	DATE	DWN	APVD
		P		REVISED PER ECO-11-005033	28MAR11	RK	HMR



NOTES;
 ▲ .MATERIAL:HOUSING - 66 NYLON (UL94V-0)
 POST - TIN BRASS



6-▲-6	4-▲-6	2-▲-6	▲-6	6	15.8	10.0
6-▲-5	4-▲-5	2-▲-5	▲-5	5	13.8	8.0
6-▲-4	4-▲-4	2-▲-4	▲-4	4	11.8	6.0
6-▲-3	4-▲-3	2-▲-3	▲-3	3	9.8	4.0
6-292156-2	4-292156-2	2-292156-2	292156-2	2	7.8	2.0
BLACK	YELLOW	BLUE	NATURAL	Pos.	B	A

SECT. A-A

TOLERANCES UNLESS OTHERWISE SPECIFIED:
 10>* : ±0.2
 30>*>10 : ±0.25
 100>*>30 : ±0.3
 ANGEL : ±3°

THIS DRAWING IS A CONTROLLED DOCUMENT.

DWN	S.XU	31JAN03
CHK	S.YAO	31JAN03
APVD	T.SASAKI	31JAN03
PRODUCT SPEC		
APPLICATION SPEC		
WEIGHT	-	

STE TE Connectivity

NAME: FREE HANGING TYPE RELAY POST HEADER ASS'Y (AMP CT CONN. 2mm PITCH)

SIZE	CAGE CODE	DRAWING NO	RESTRICTED TO
A3	00779	C-292156	-

CUSTOMER DRAWING SCALE 5:1 SHEET 1 OF 1 REV P