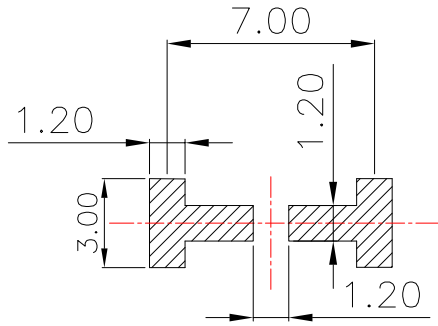
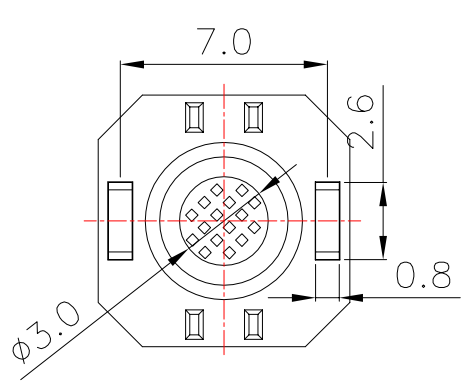
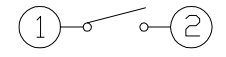


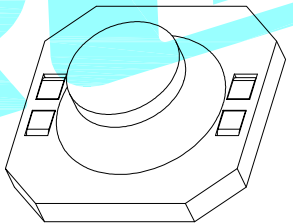
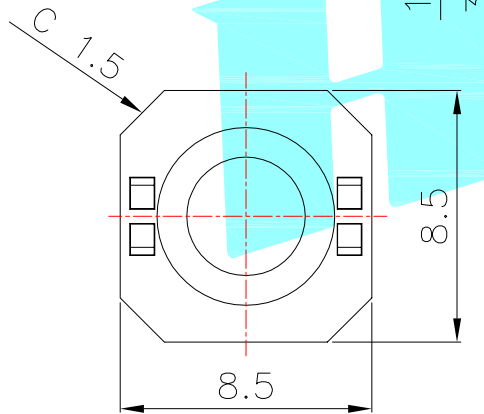
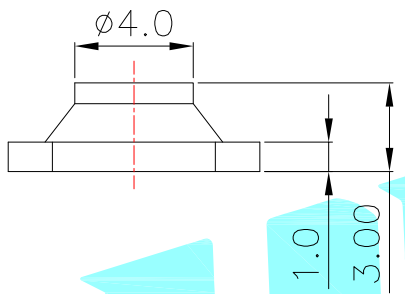
ROHS



PCB Layout(Pattern side)



Circuit Diagram



NOTE:
 Forcel: 90±30gf
 Travel: 1.0±0.2mm
 Life: 2,000,000 Cycles

②	Terminal	—	2	Brass	Plating silver	—
①	Keystoke	—	1	Silica gel	Red	—
ITEM	PART NAME	TER'NO.	QTY.	MATERIAL	FINISHING	REMARK

APPROVALS		DATE		 ELECTRONICS CO.,LTD			
DRAWN	LIUCAN	2022.2.18					
CHECKED				TITLE: TACT SWITCHS			
APPROVALS				PART NO. K2-8808SP			
TOLERANCES ARE		30~以上	±0.30	ANGLE	UNIT: mm	SCALE: 1:1	PROJ:
		10~30	±0.20				
		5~10	±0.15				
		~ 5	±0.10	±2'	DRAWING NO.		SHEET 1 OF 1

_____	A	_____	NEW	_____	_____	_____
ECN NO.	REV.	DATE.	DESCRIPTION.	CHANGE.	CHECK.	APPRO.