

4

3

2

1

THIS DRAWING IS UNPUBLISHED.

RELEASED FOR PUBLICATION

20

© COPYRIGHT 20

BY TYCO ELECTRONICS CORPORATION. ALL RIGHTS RESERVED.

LOC

DIST

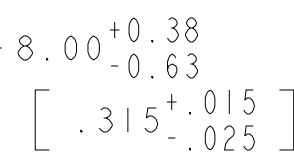
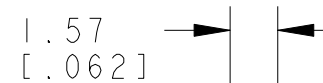
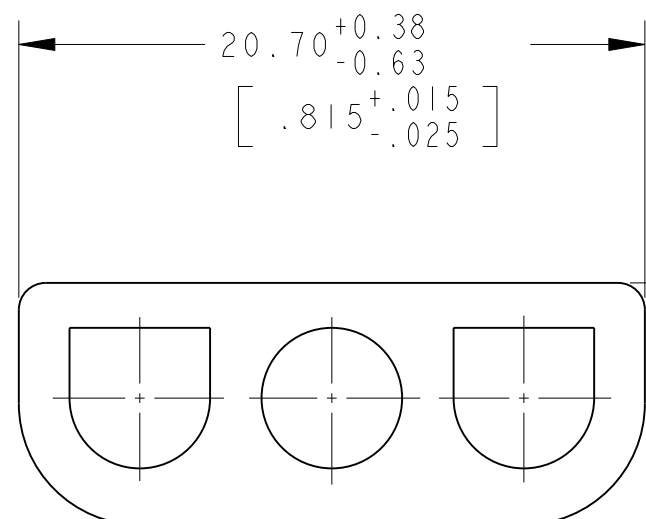
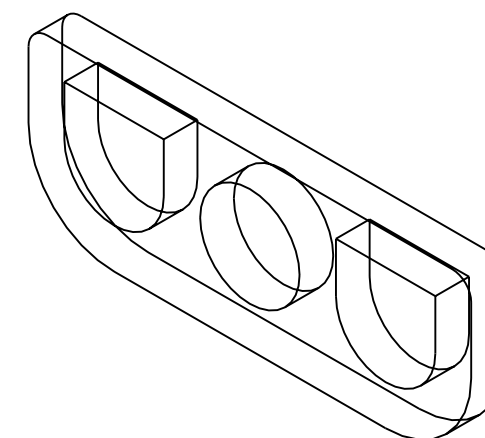
REVISIONS

CM

45

P	LTR	DESCRIPTION	DATE	DWN	APVD
	E	REVISED PER ECO-05-001965	04MAY05	KW	SR

1 MATERIAL: CLOSED CELL SILICON FOAM, BLACK
 2. SUPPLIED ON MYLAR FILM.



794992-1

PART NUMBER

<small>THIS DRAWING IS A CONTROLLED DOCUMENT FOR TYCO ELECTRONICS CORPORATION IT IS SUBJECT TO CHANGE AND THE CONTROLLING ENGINEERING ORGANIZATION SHOULD BE CONTACTED FOR THE LATEST REVISION.</small>		DWN 07-DEC-2001 K. WHITAKER CHK 07-DEC-2001 S. RIDGILL APVD 07-DEC-2001 S. RIDGILL	tyco Electronics	Tyco Electronics Harrisburg, PA 17105-3608
DIMENSIONS: mm [INCHES]	TOLERANCES UNLESS OTHERWISE SPECIFIED: 0 PLC ±- 1 PLC ±- 2 PLC ±0.51 [.020] 3 PLC ±- 4 PLC ±- ANGLES ±-	PRODUCT SPEC - APPLICATION SPEC - WEIGHT -	NAME INTERFACIAL SEAL, 3 CIRCUIT, UNIVERSAL MATE-N-LOK™	
MATERIAL - 1	FINISH -	CUSTOMER DRAWING	SIZE A3	CAGE CODE 00779
		DRAWING NO 794992	RESTRICTED TO -	SCALE 4:1
		SHEET 1	OF 1	REV E

METRIC