

4

3

2

1

THIS DRAWING IS UNPUBLISHED.

RELEASED FOR PUBLICATION

,1997 .

LOC  
DS

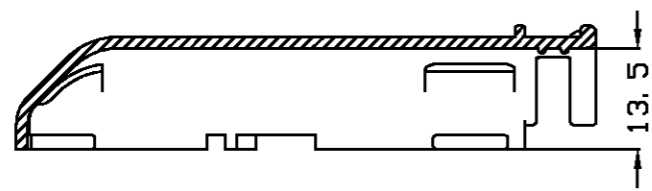
DIST

REVISIONS

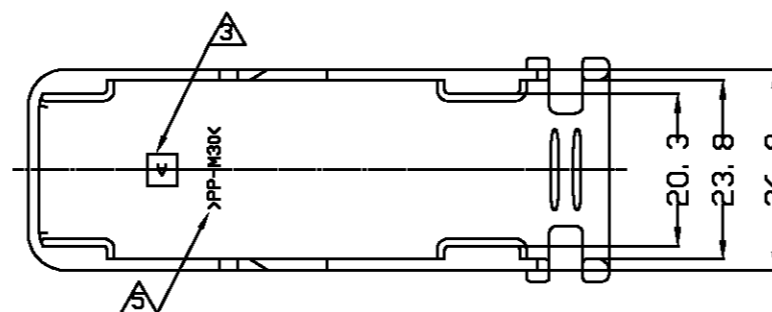
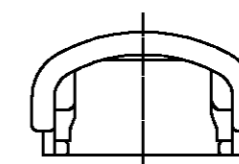
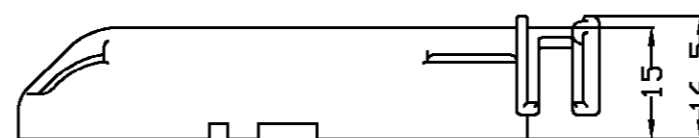
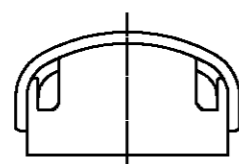
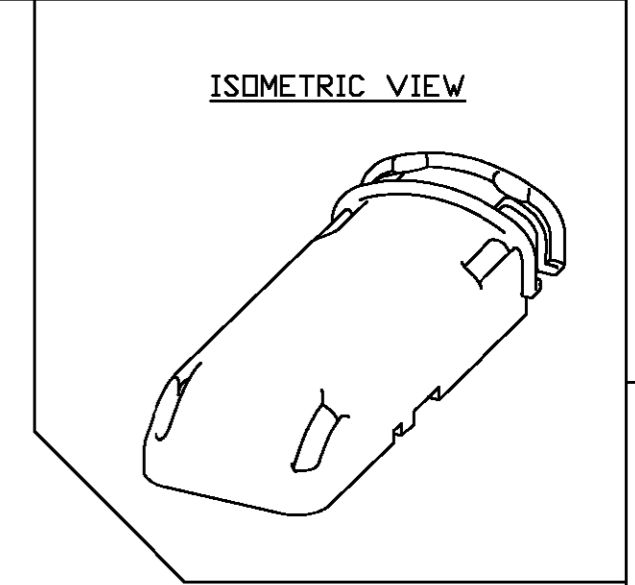
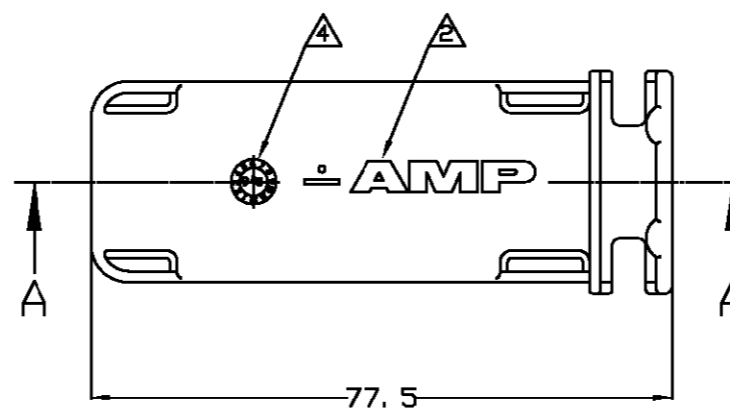
© COPYRIGHT 1997

BY AMP INCORPORATED. ALL RIGHTS RESERVED.

P	LTR	DESCRIPTION	DATE	DWN	APVD
	0	RELEASED ECN(KFC00-0016-99)	03/FEB/99	JW	CS



SECTION A-A



NOTE.

- 1. APPLICABLE ASS'Y CONNECTOR FOR JPT&MQS 81Pos. P/N: 368190-1
- △ AMP TREAD MARK.
- △ CAVITY MARK
- △ DATE CODE.
- △ RECYCLE MARKING.

3 6 8 2 9 1 - 1	PP-M30	BLACK
PART NO	MATERIAL	COLOR

DIMENSIONS: MM		TOLERANCES UNLESS OTHERWISE SPECIFIED:		DWN		AMP AMP KOREA. kyungsan, korea	
0 <XX<10 ± 0.2		10<XX<30 ± 0.25		CHK		NAME	
30<XX ± 0.3		ANGLES ± 3°		APVD		COVER HOUSING FOR 81 Pos.	
3rd ANGLE PROJECTION				PRODUCT SPEC		SIZE	
MATERIAL		FINISH		APPLICATION SPEC		CAGE CODE	
SEE TABLE		SEE TABLE		WEIGHT		DRAWING NO	
				---		A3 00779	
						C= 3 6 8 2 9 1	
						SCALE 1/1 SHEET 1 OF 1 REV 0	