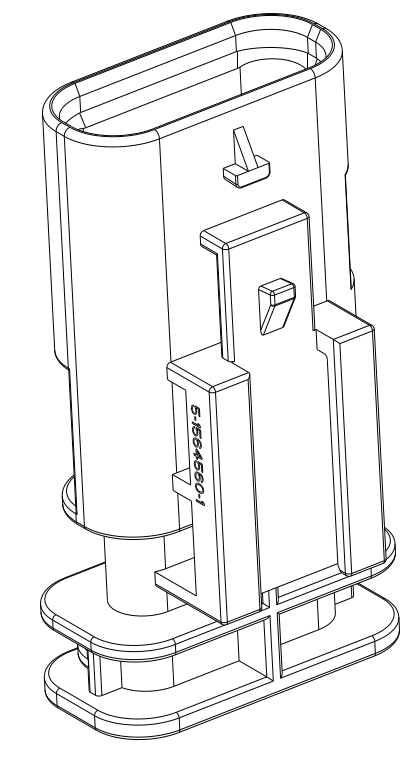
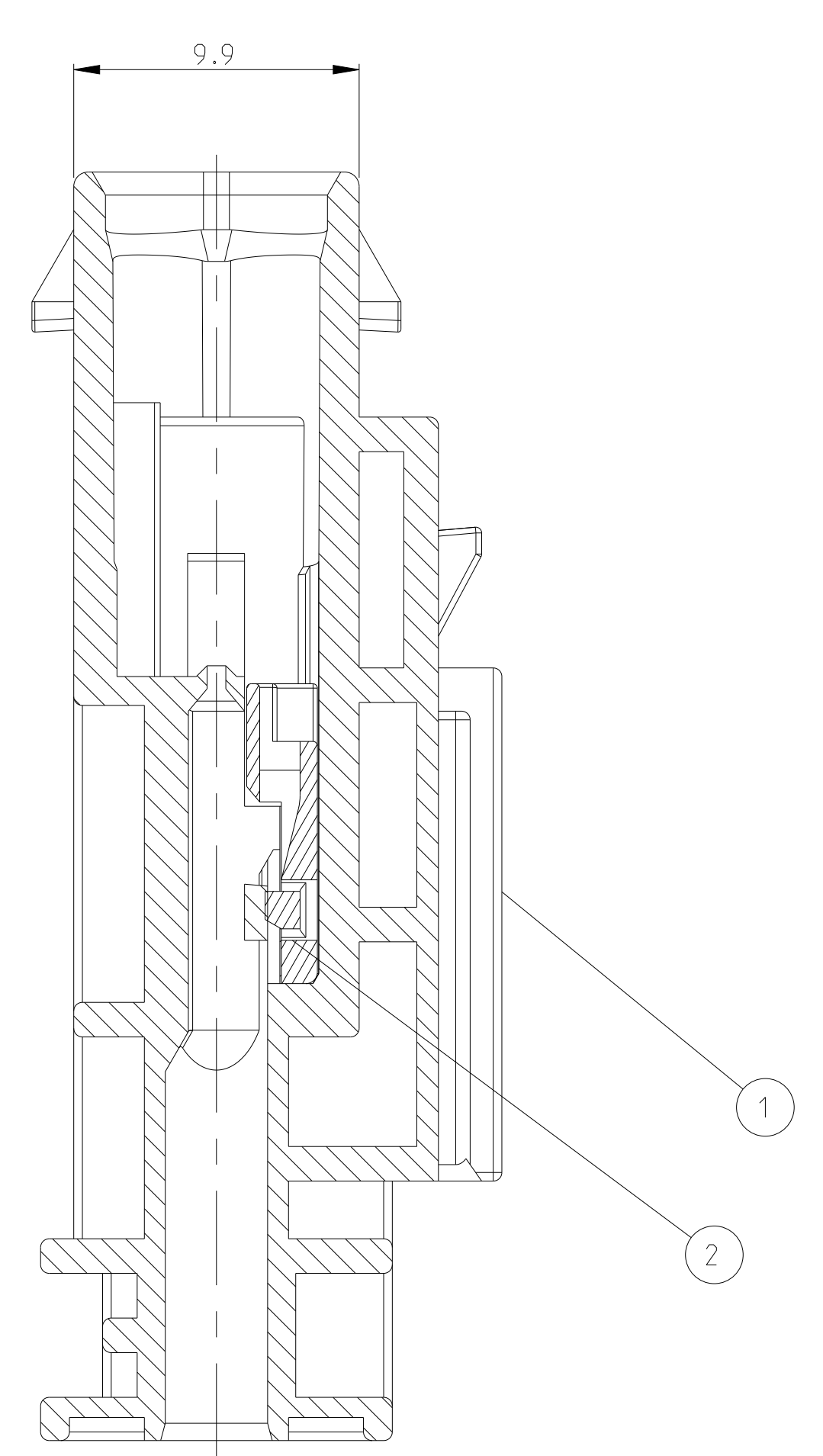
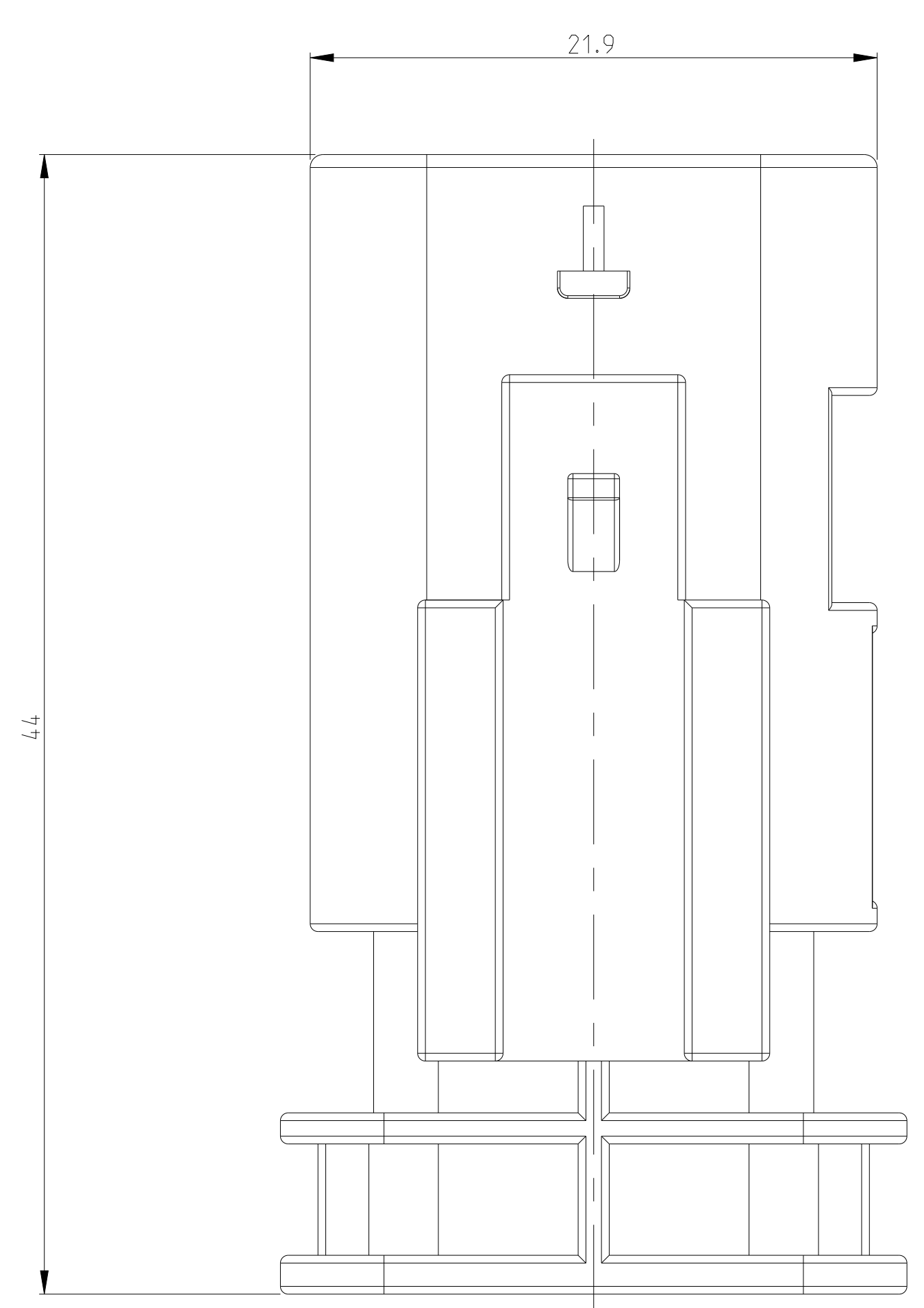
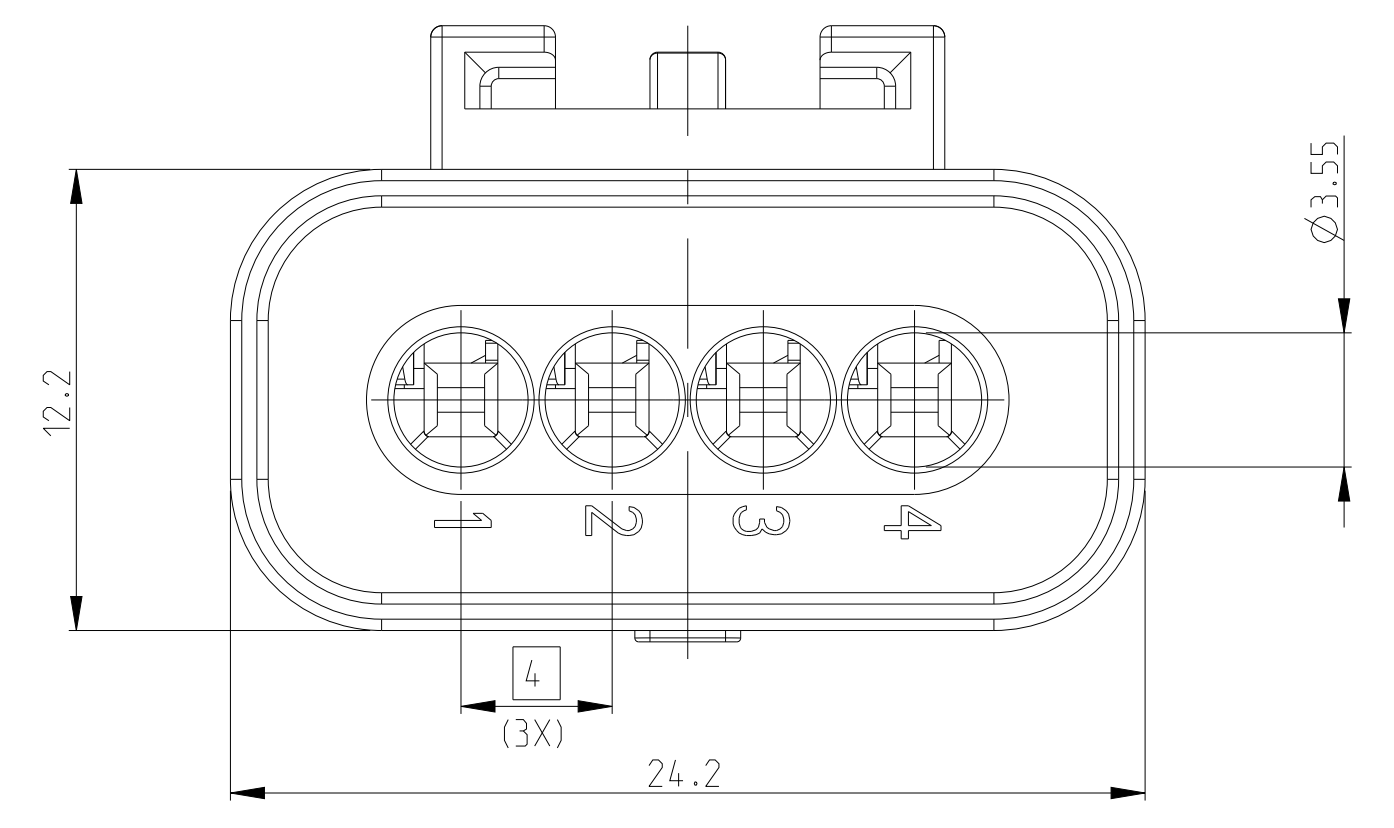


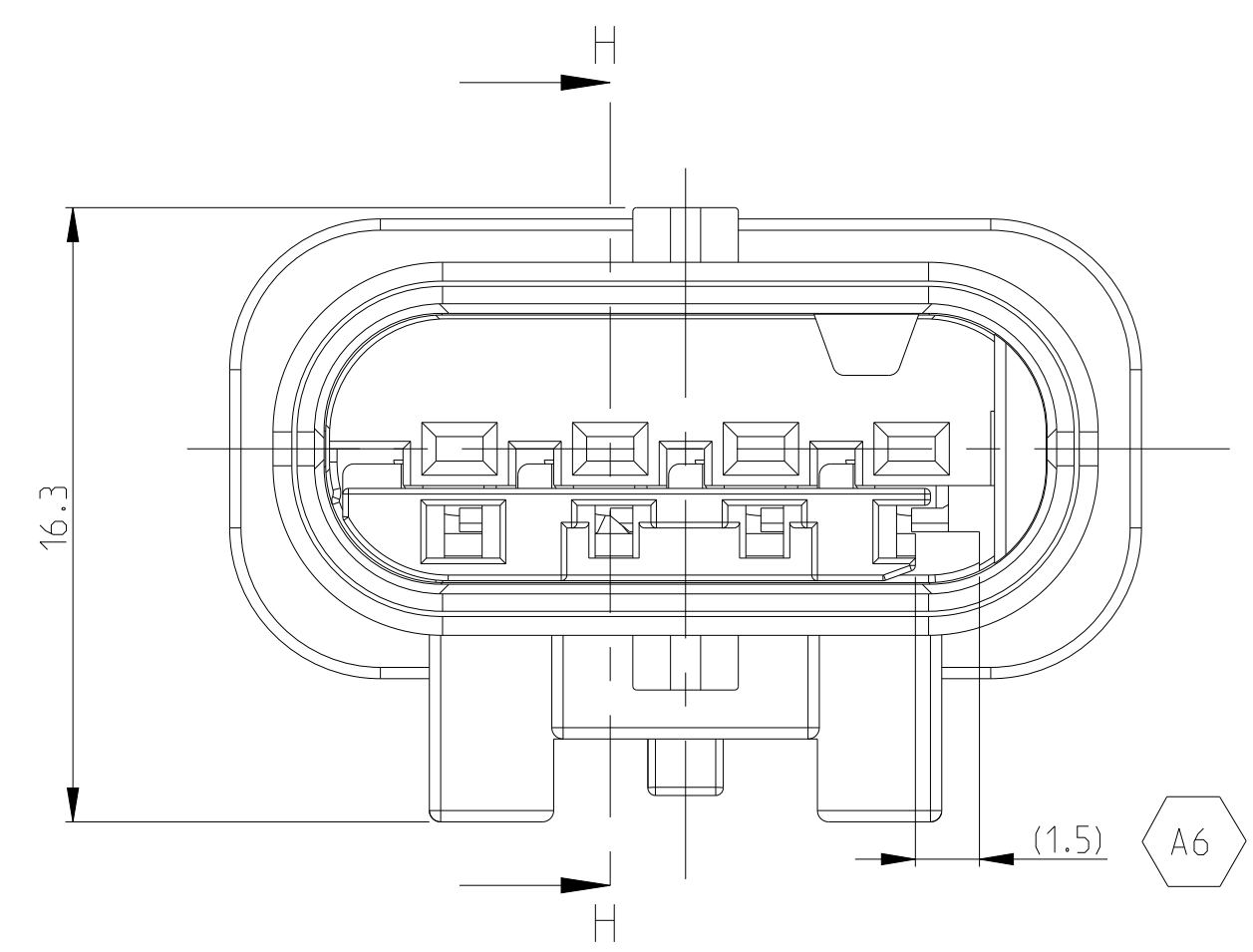
# SHOWN 1-1564559-1



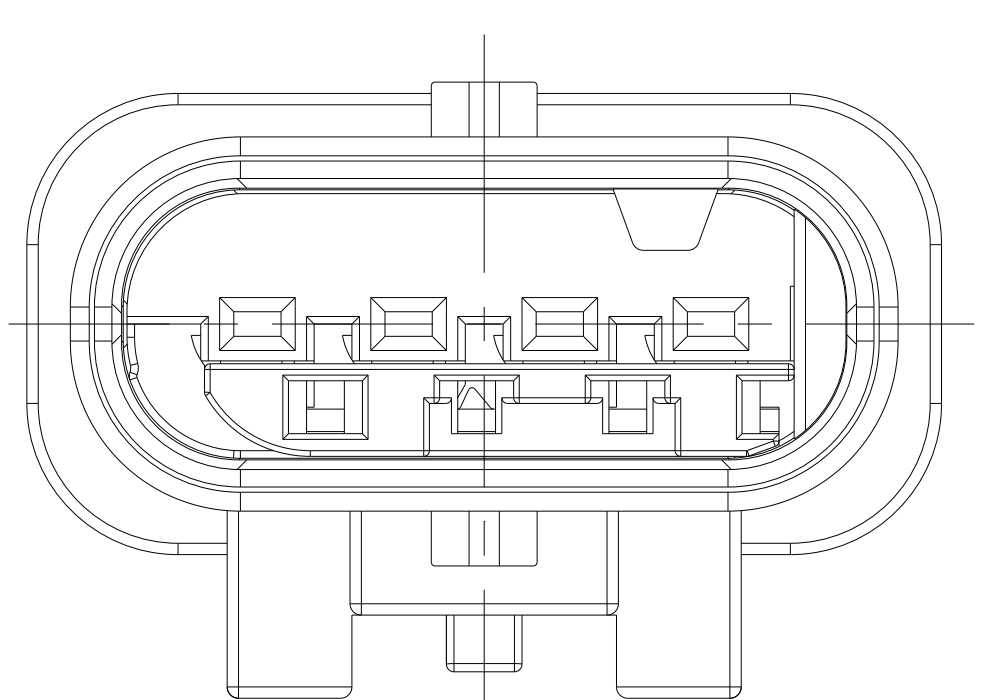
2.1



RETAINER IN PRE LOCKED POSITION  
Kontaktsicherung in Vorraststellung

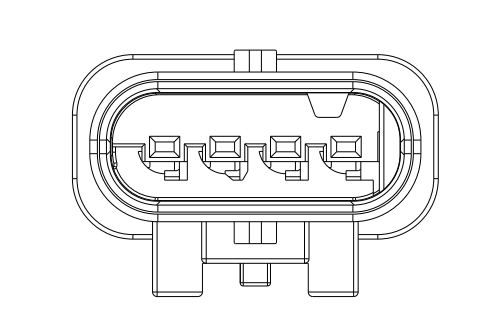


RETAINER IN FINAL LOCKED POSITION  
2. Kontaktsicherung in Endraststellung

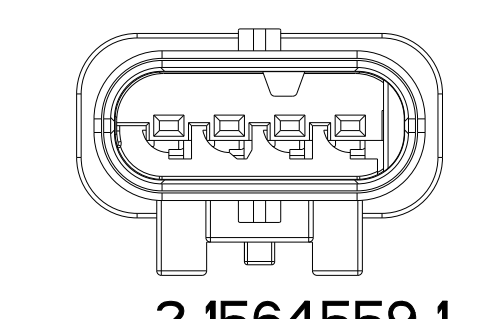


RETAINER MOVING DIRECTION  
2. Kontaktsicherung Verschiebeweg

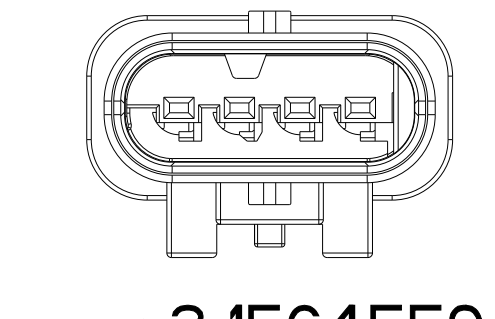
## CODINGS 2:1



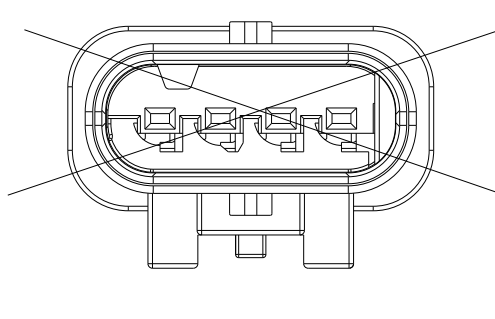
**A** 1-1564559-1  
(BLACK)  
1-1564559-4  
(YELLOW FOR GM)



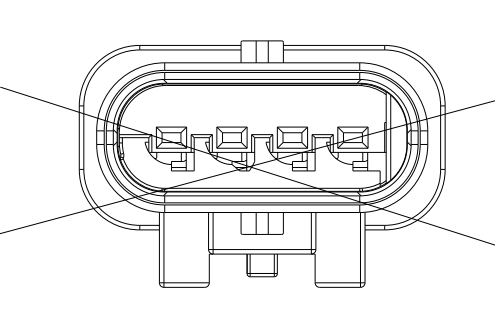
**B** 2-1564559-1  
(GREY)  
2-1564559-4  
(YELLOW FOR GM)



**C** 3-1564559-1  
3-1564559-4  
(YELLOW FOR GM)

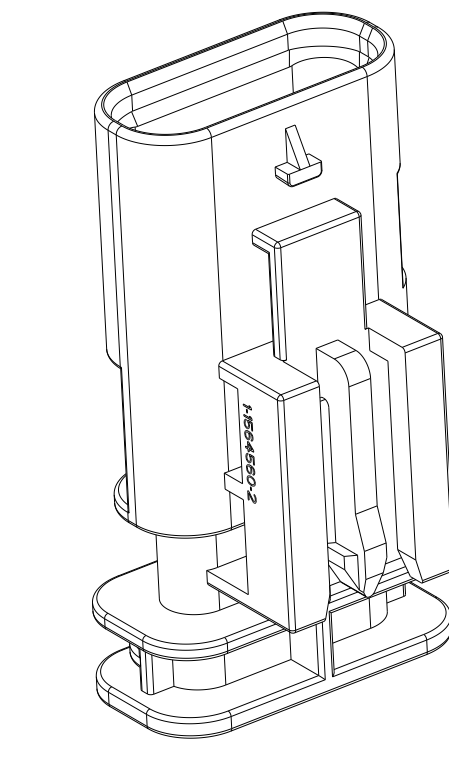


**D** 4-1564559-1

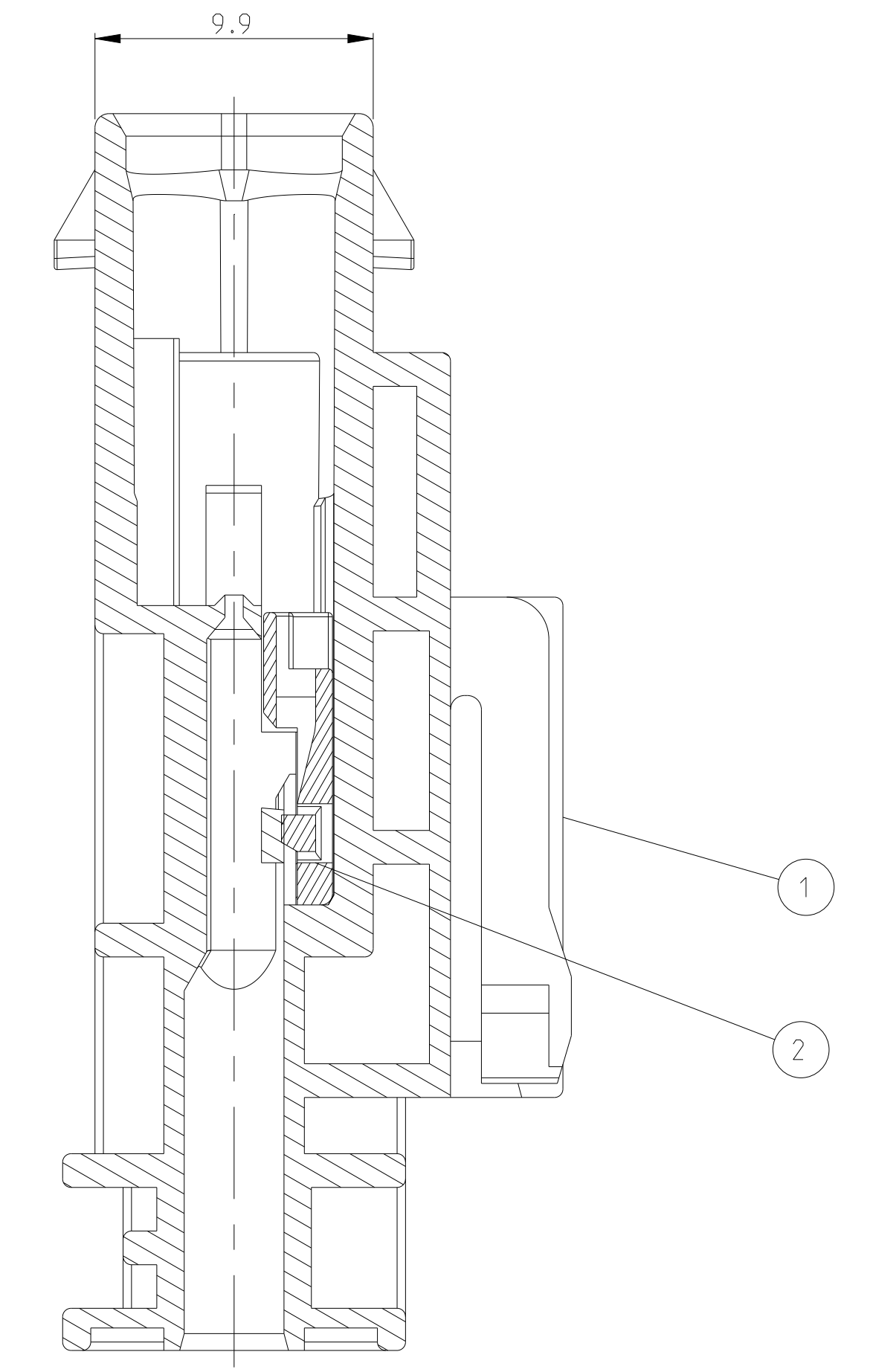
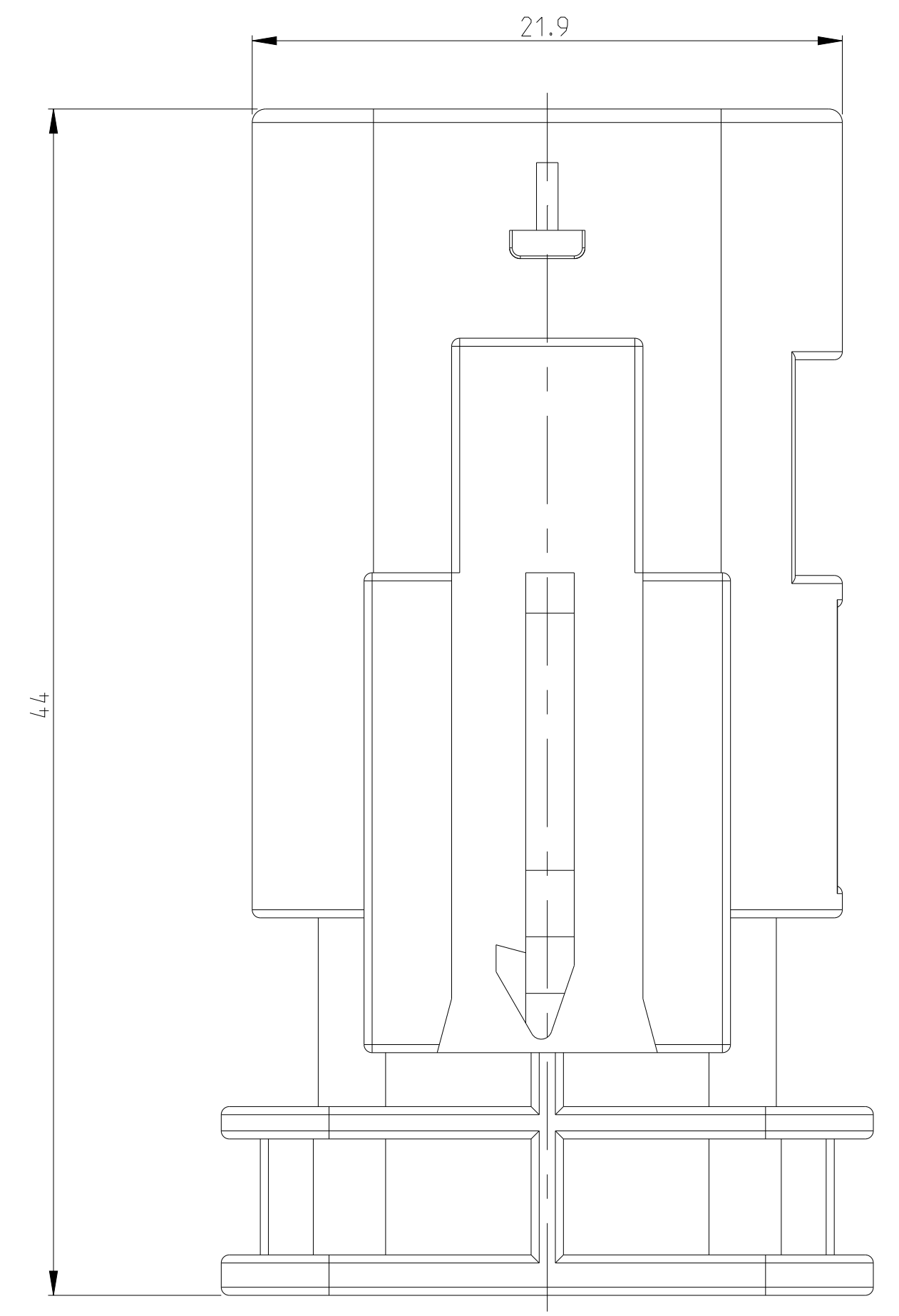
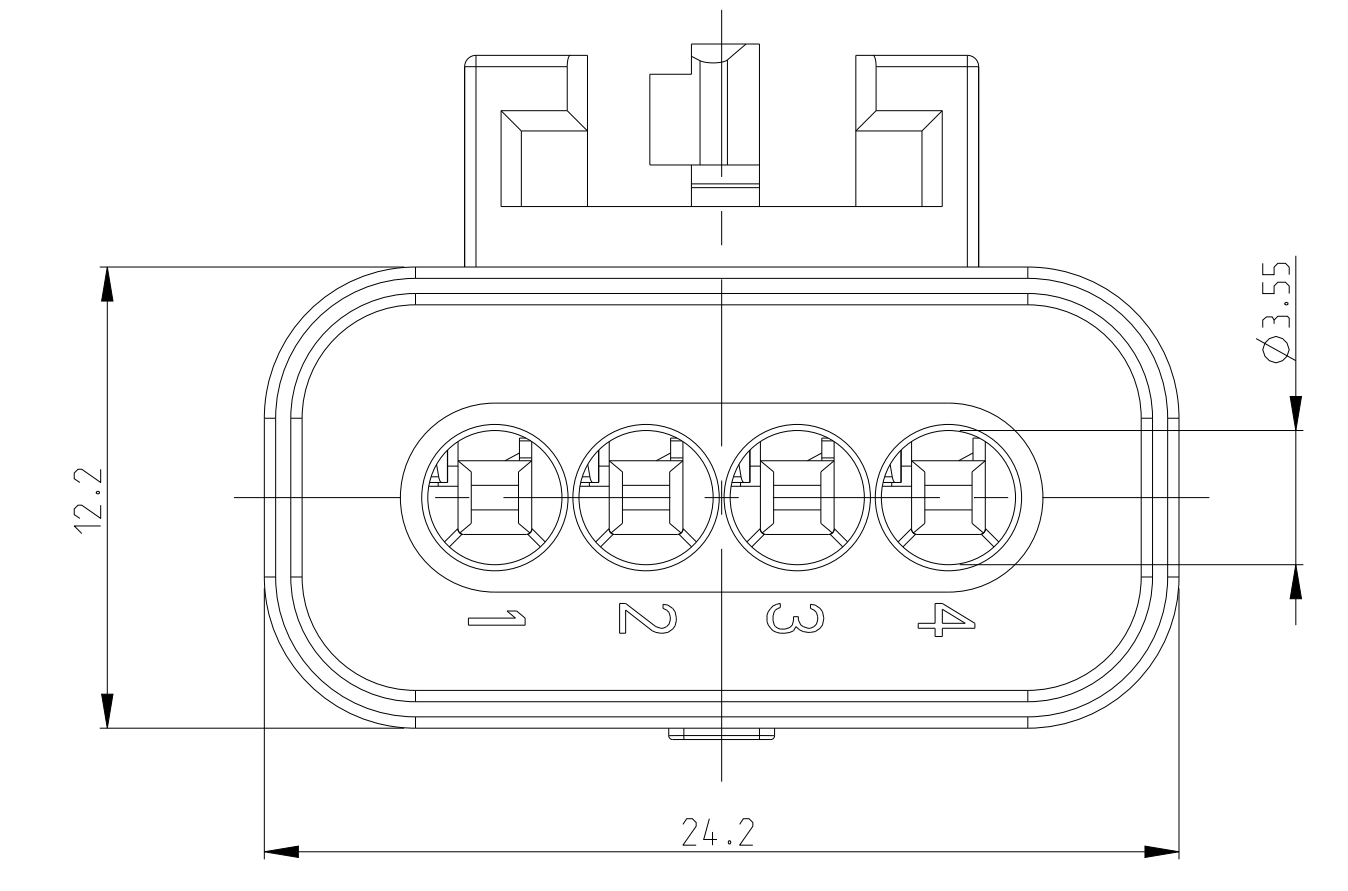


**Z** 5-1564559-1

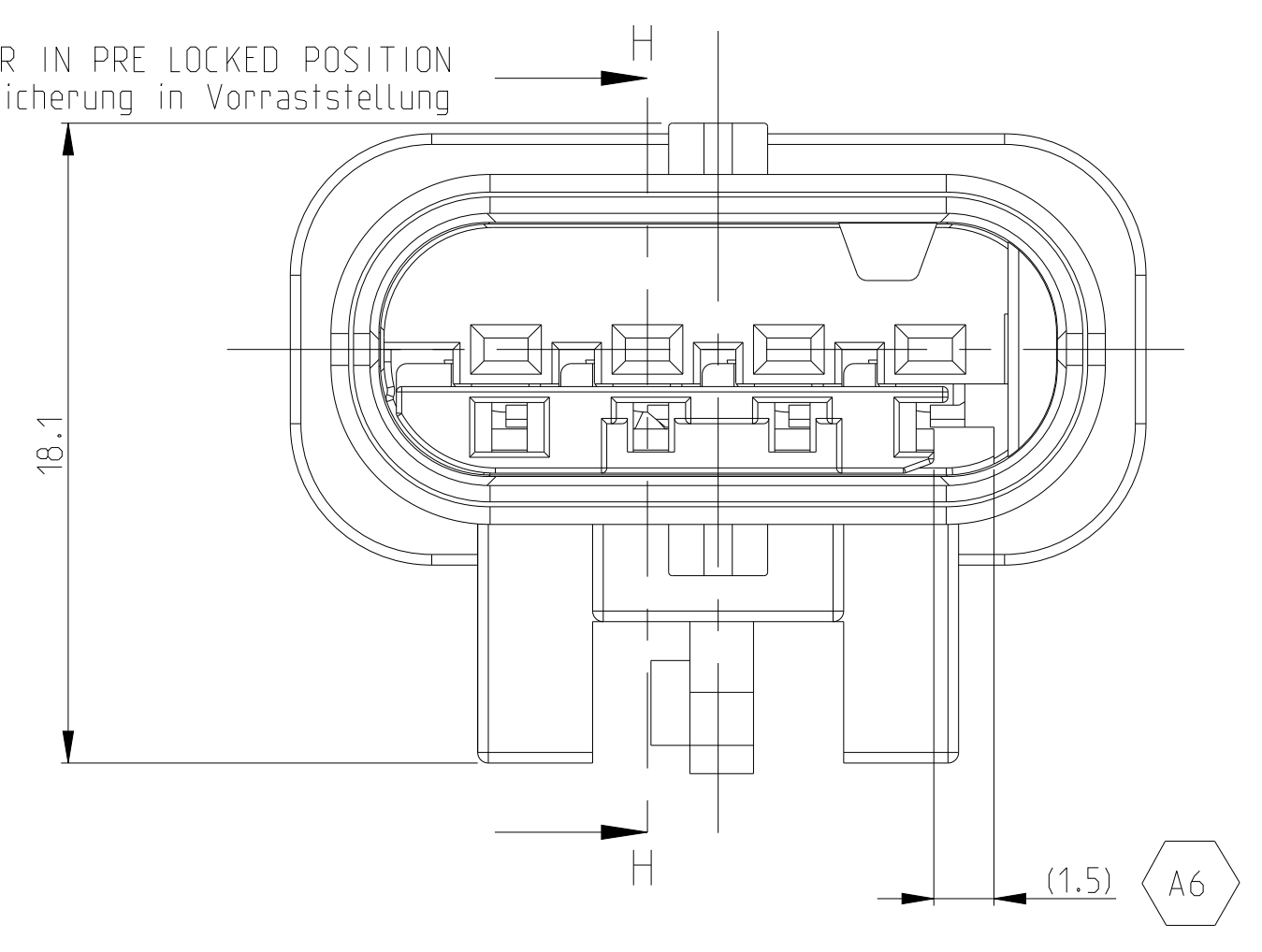
# SHOWN 1-1564559-2



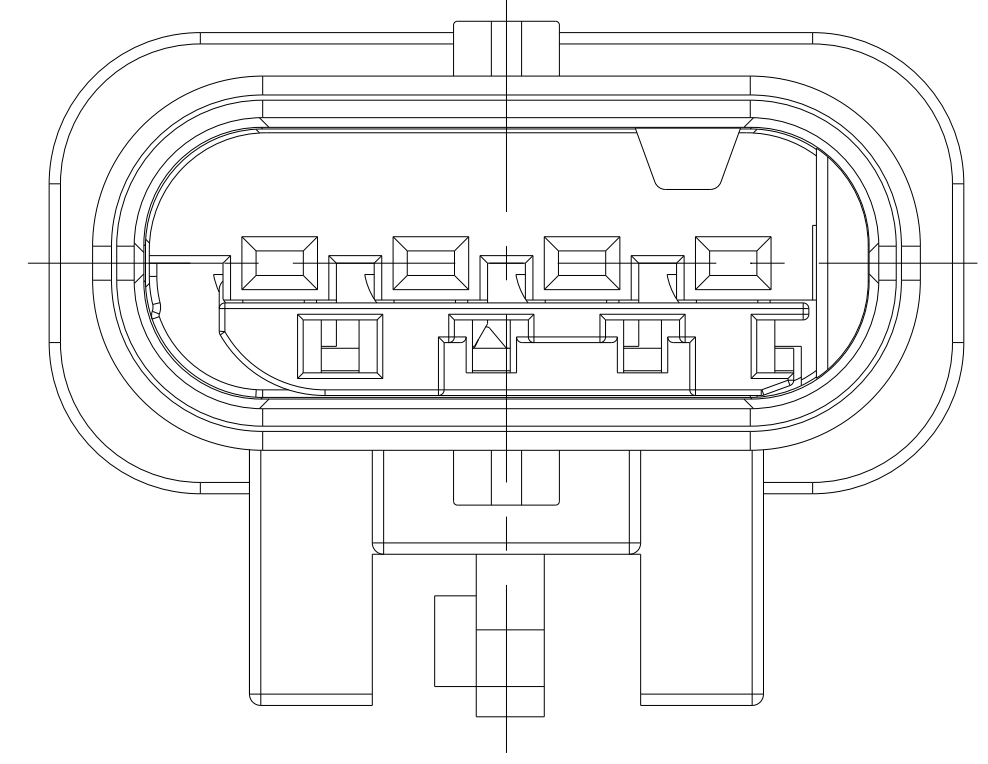
2.1



RETAINER IN PRE LOCKED POSITION  
Kontaktsicherung in Vorraststellung



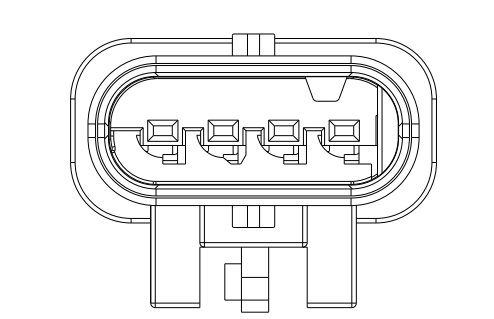
RETAINER IN FINAL LOCKED POSITION  
2. Kontaktsicherung in Endraststellung



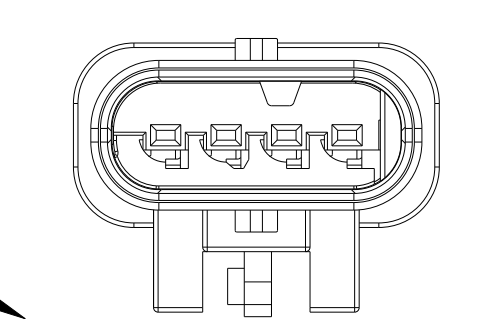
RETAINER MOVING DIRECTION  
2. Kontaktsicherung Verschiebeweg

REV	DATE	DESCRIPTION	BY	CHK	APPD
A4	16APR2011	PCN E-11-008327		MT	HR
A5	06OCT2014	PCN E-14-014884		MT	HR
A6	20OCT2021	PCN-21-119051		BV	LSZ

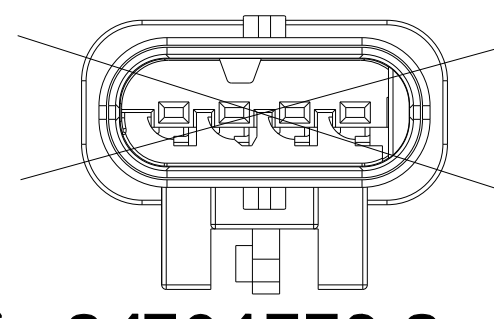
## CODINGS 2:1



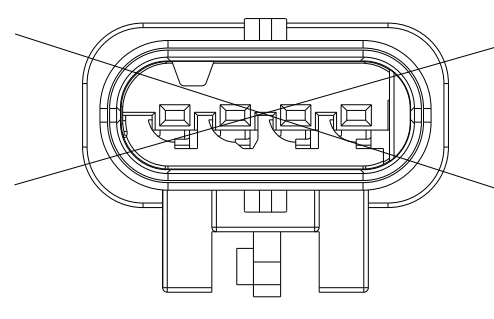
**A** 1-1564559-2  
(BLACK)



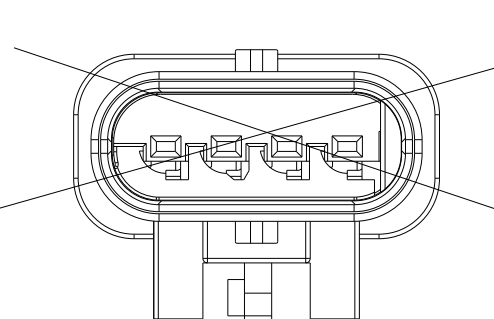
**B** 2-1564559-2  
(GREY)



**C** 3-1564559-2



**D** 4-1564559-2



**Z** 5-1564559-2

TE-PN TERMINALS	WIRE RANGE	TE-PN SINGLE WIRE SEAL	TE-PN BLIND PLUG
2141868	0.08 - 0.22mm <sup>2</sup>	967067-2	
1718758	0.25 - 0.35mm <sup>2</sup>	967067-2	967056-1
1718760	0.5 - 0.75mm <sup>2</sup>	967067-1	
1718762	1mm <sup>2</sup>	967067-1	

TERMINAL TE-APPLICATION SPEC.: 114-18464.

TE SUITABLE FEMALE HSG. PASSENDE BUCHSENGH.	TE- Bestell-Nr. ORDER-NO.	ASSY REV. CODE	Benennung TITLE	QTY	Benennung Einzelteil TITLE	Werkstoff MATERIAL	Oberflaeche/Farbe SURFACE/COLOUR	Pos. ITEM
	5-1564559-2		Stiftgehaeuse 4pol. MALE HOUSING 4POS.	1	Kontaktsicherung RETAINER	PA66-GF35	violett/VIOLET	2
	4-1564559-2		Stiftgehaeuse 4pol. MALE HOUSING 4POS.	1	Kontaktsicherung RETAINER	PBT-GF30	schwarz/BLACK	1z
	3-1564559-2		Stiftgehaeuse 4pol. MALE HOUSING 4POS.	1	Kontaktsicherung RETAINER	PA66-GF35	violett/VIOLET	2
	2-1670918-2		Stiftgehaeuse 4pol. MALE HOUSING 4POS.	1	Kontaktsicherung RETAINER	PA66-GF35	violett/VIOLET	2
	1-1670918-2		Stiftgehaeuse 4pol. MALE HOUSING 4POS.	1	Kontaktsicherung RETAINER	PBT-GF30	schwarz/BLACK	1c

3-1670918-1	3-1564559-4	A	C	Stiftgehaeuse 4pol. MALE HOUSING 4POS.	1	Kontaktsicherung RETAINER	PA66-GF35	violett/VIOLET	2
2-1670918-1	2-1564559-4	A	B	Stiftgehaeuse 4pol. MALE HOUSING 4POS.	1	Kontaktsicherung RETAINER	PA66-GF35	violett/VIOLET	2
1-1670918-1	1-1564559-4	A	A	Stiftgehaeuse 4pol. MALE HOUSING 4POS.	1	Kontaktsicherung RETAINER	PA66-GF35	violett/VIOLET	2
	5-1564559-1	A	Z	Stiftgehaeuse 4pol. MALE HOUSING 4POS.	1	Kontaktsicherung RETAINER	PBT-GF30	schwarz/BLACK	1z
	4-1564559-1	A	D	Stiftgehaeuse 4pol. MALE HOUSING 4POS.	1	Kontaktsicherung RETAINER	PA66-GF35	violett/VIOLET	2
	3-1564559-1	A	C	Stiftgehaeuse 4pol. MALE HOUSING 4POS.	1	Kontaktsicherung RETAINER	PA66-GF35	violett/VIOLET	2
2-1670918-1	2-1564559-1	A	B	Stiftgehaeuse 4pol. MALE HOUSING 4POS.	1	Kontaktsicherung RETAINER	PA66-GF35	violett/VIOLET	2
1-1670918-1	1-1564559-1	A	A	Stiftgehaeuse 4pol. MALE HOUSING 4POS.	1	Kontaktsicherung RETAINER	PBT-GF30	schwarz/BLACK	1c

TE SUITABLE FEMALE HSG. PASSENDE BUCHSENGH.	TE- Bestell-Nr. ORDER-NO.	ASSY REV. CODE	Benennung TITLE	QTY	Benennung Einzelteil TITLE	Werkstoff MATERIAL	Oberflaeche/Farbe SURFACE/COLOUR	Pos. ITEM
	5-1564559-2		Stiftgehaeuse 4pol. MALE HOUSING 4POS.	1	Kontaktsicherung RETAINER	PA66-GF35	violett/VIOLET	2
	4-1564559-2		Stiftgehaeuse 4pol. MALE HOUSING 4POS.	1	Kontaktsicherung RETAINER	PBT-GF30	schwarz/BLACK	1z
	3-1564559-2		Stiftgehaeuse 4pol. MALE HOUSING 4POS.	1	Kontaktsicherung RETAINER	PA66-GF35	violett/VIOLET	2
	2-1670918-2		Stiftgehaeuse 4pol. MALE HOUSING 4POS.	1	Kontaktsicherung RETAINER	PA66-GF35	violett/VIOLET	2
	1-1670918-2		Stiftgehaeuse 4pol. MALE HOUSING 4POS.	1	Kontaktsicherung RETAINER	PBT-GF30	schwarz/BLACK	1c

THIS DRAWING IS A CONTROLLED DOCUMENT. DATE: 07JUL2008. BY: LOESES. CH: RIBBER. G: MUMPER. APPROVAL DATE: 08JUL2008.

DIMENSIONS: DIM: 0 PFC 0.5, 1 PFC 0.5, 2 PFC 0.5, 3 PFC 0.5, 4 PFC 0.5, 5 PFC 0.5, 6 PFC 0.5, 7 PFC 0.5, 8 PFC 0.5, 9 PFC 0.5, 10 PFC 0.5.

MATERIAL: FINISH: REGRIND MAX. 25%.

STE TE Connectivity  
 MALE HOUSING, 4Pos., MCON 1.2 SEALED TOP / SIDE LATCH  
 Stiftgehaeuse, 4pol., MCON 1.2 gedichtet  
 A0 00779 C=1564559