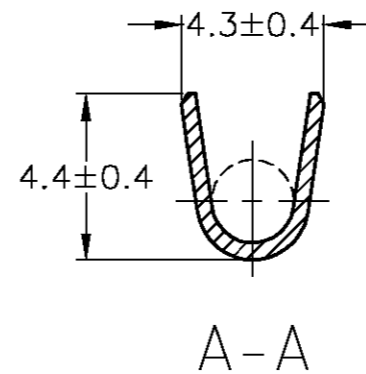
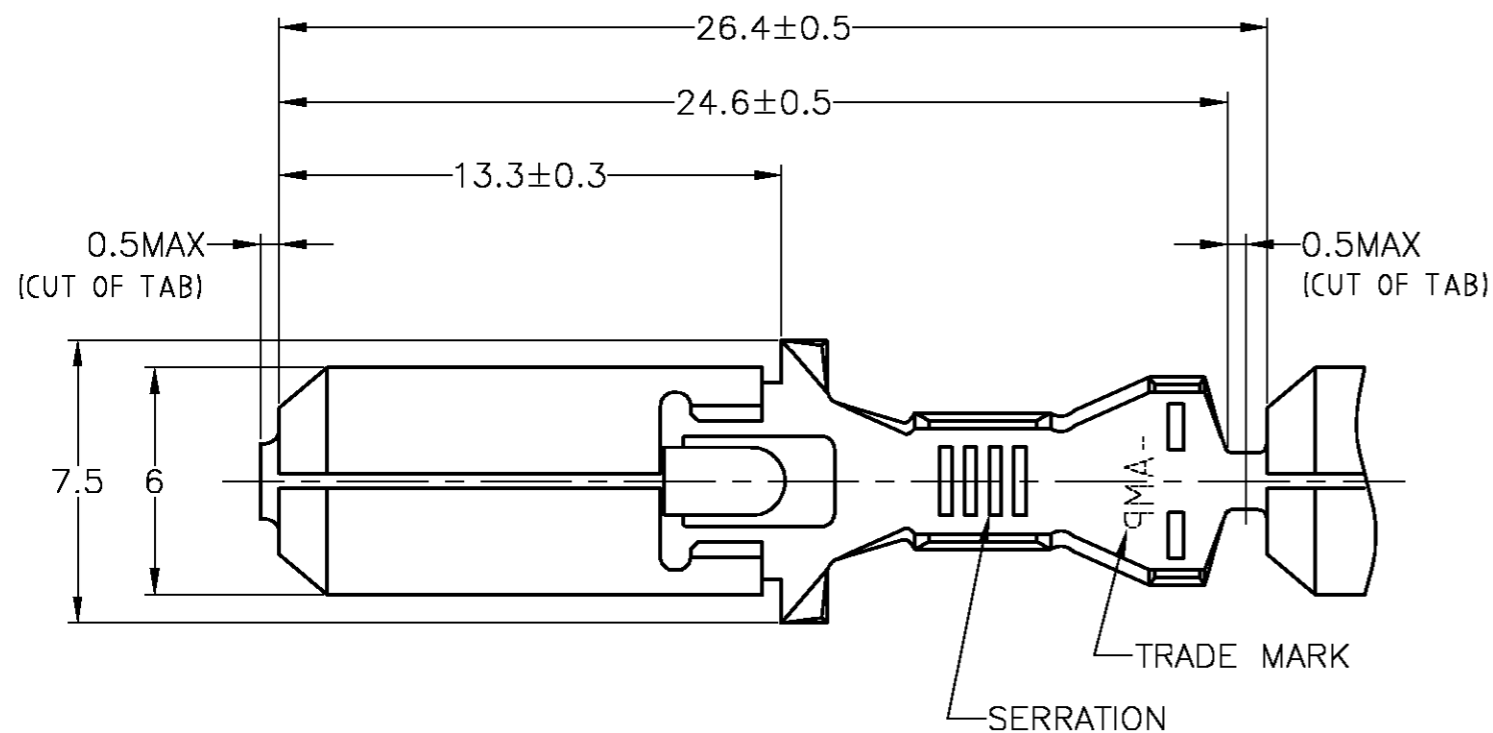
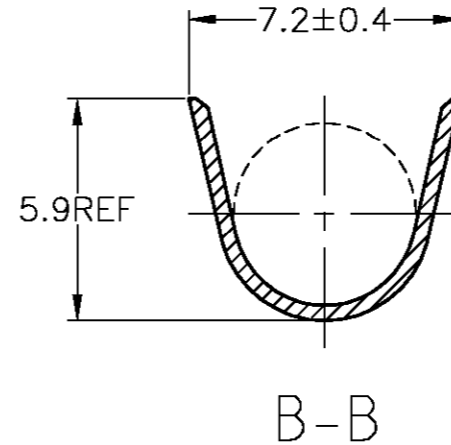
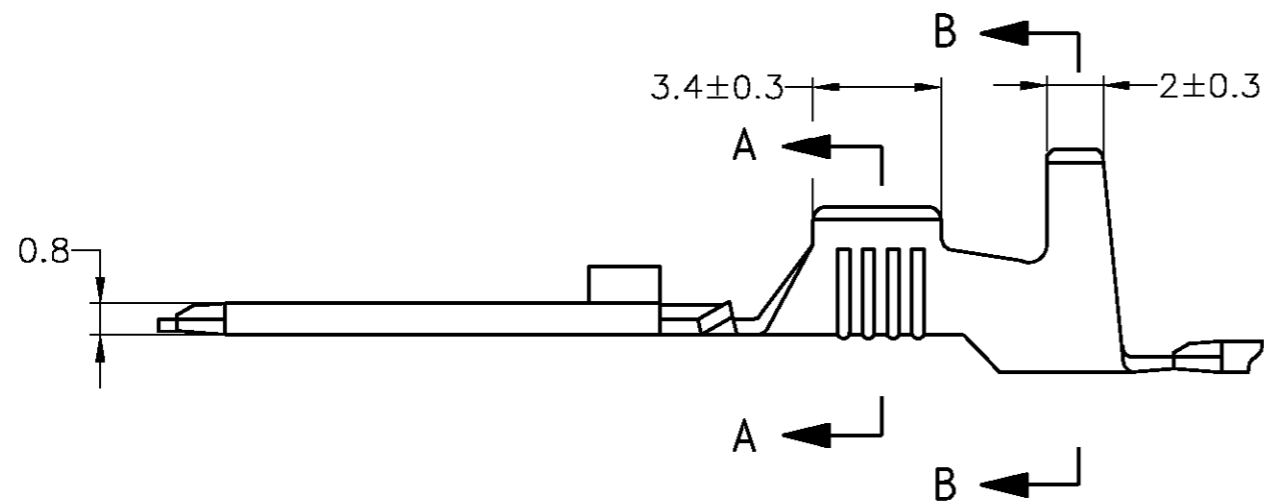


THIS DRAWING IS UNPUBLISHED. RELEASED FOR PUBLICATION
 © COPYRIGHT BY TYCO ELECTRONICS CORPORATION. ALL RIGHTS RESERVED.

LOC		DIST		REVISIONS			
P	LTR	DESCRIPTION		DATE	DWN	APVD	
	A	REDRAWN W/CHANGE		FJ00-1446-00	05SEP00	TS KB	



-1;本図
 -1;AS SHOWN
 1. 嵌合相手端子型番 : 171632
 1. THE MATING RECEPTACLE PART NUMBER : 171632



TOLERANCE UNLESS OTHERWISE SPECIFIED: 一般公差

0 < x ≤ 10	: ±0.2
10 < x ≤ 30	: ±0.25
30 < x ≤ 100	: ±0.3
ANGLE ; 角度	: ±3°

THIS DRAWING IS A CONTROLLED DOCUMENT.

DIMENSIONS: 単位: 桁 MM	TOLERANCES UNLESS OTHERWISE SPECIFIED: 一般公差
	0 PLC ± -
	1 PLC ± -
	2 PLC ± -
	3 PLC ± -
	4 PLC ± -
	ANGLES ± -
MATERIAL 材料	FINISH 仕上
BRASS t=0.4	

DWN T.SHINOHARA	05SEP00
CHK K.BETSUI	05SEP00
APVD K.BETSUI	05SEP00
PRODUCT SPEC 製品規格	
APPLICATION SPEC 取付適用規格	114-5082
WEIGHT	0.86g
CUSTOMER DRAWING	

WIRE RANGE 包合電線断面積	1.25~3mm ²	INSULATION DIA 被覆外径	2.5~4.1mm
AMP		Tyco Electronics AMP K.K. Kawasaki, Japan	
NAME 名称 250 SERIES TAB CONTACT FOR SEALED CONNECTOR			
SIZE	CAGE CODE	DRAWING NO 番号	RESTRICTED TO
A3	00779	C-171633	-
SCALE 尺度		SHEET	REV
5:1		1 OF 1	A