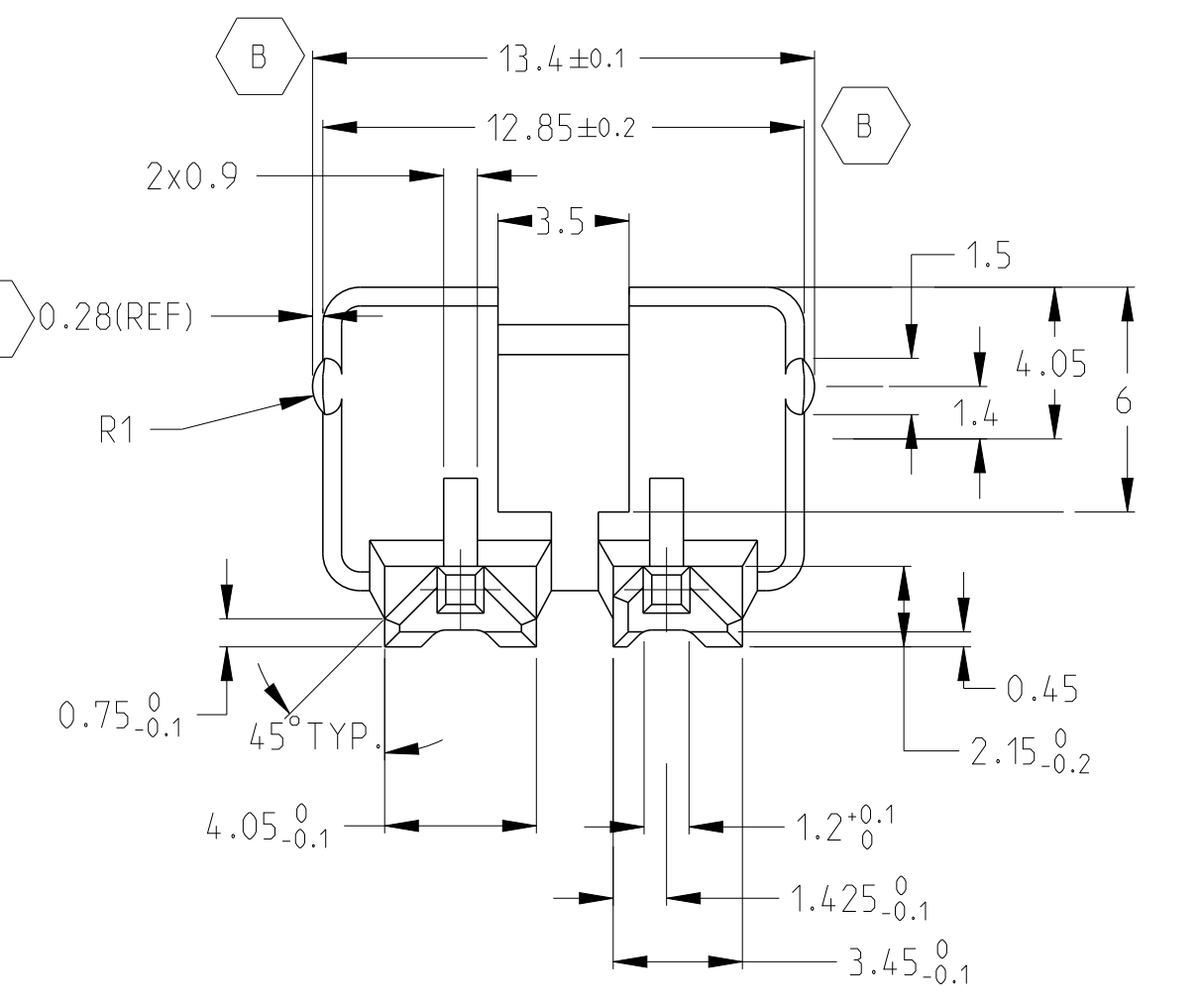
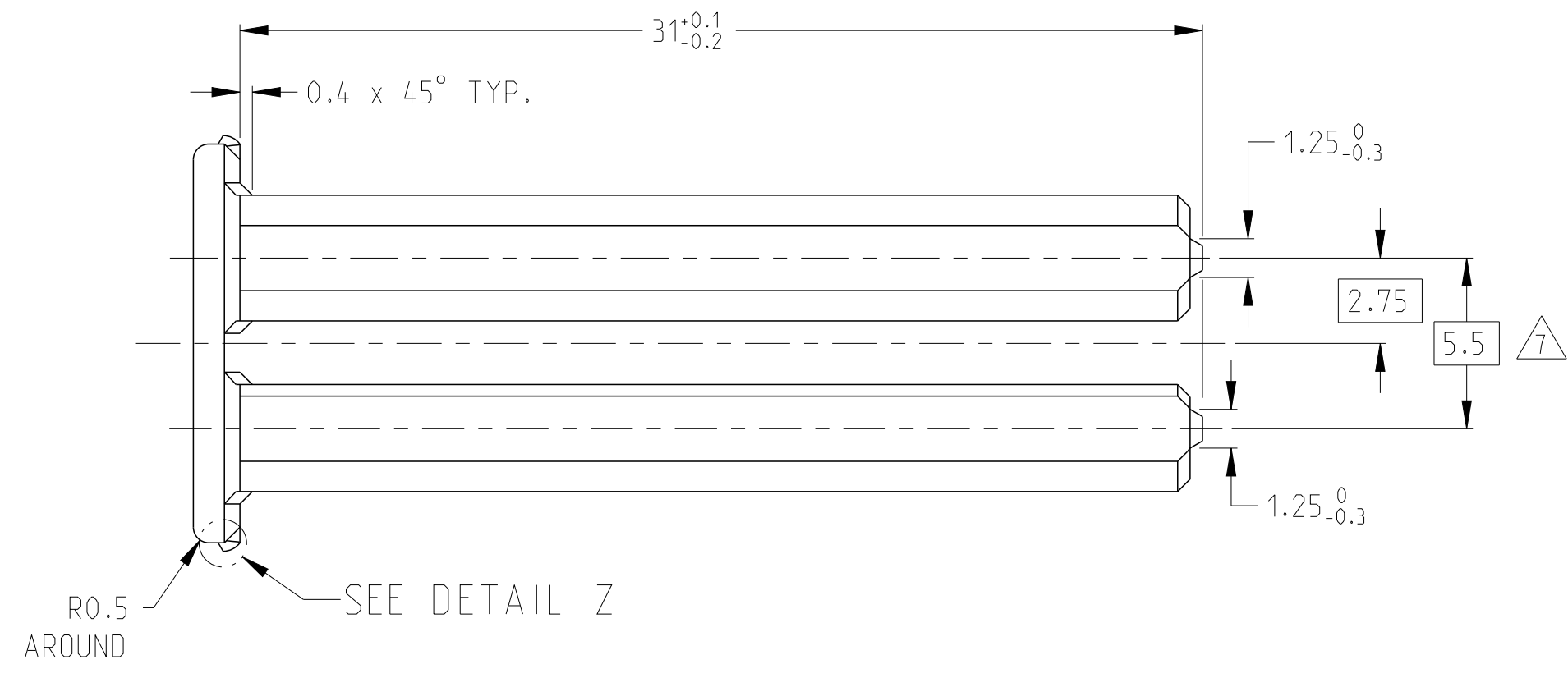
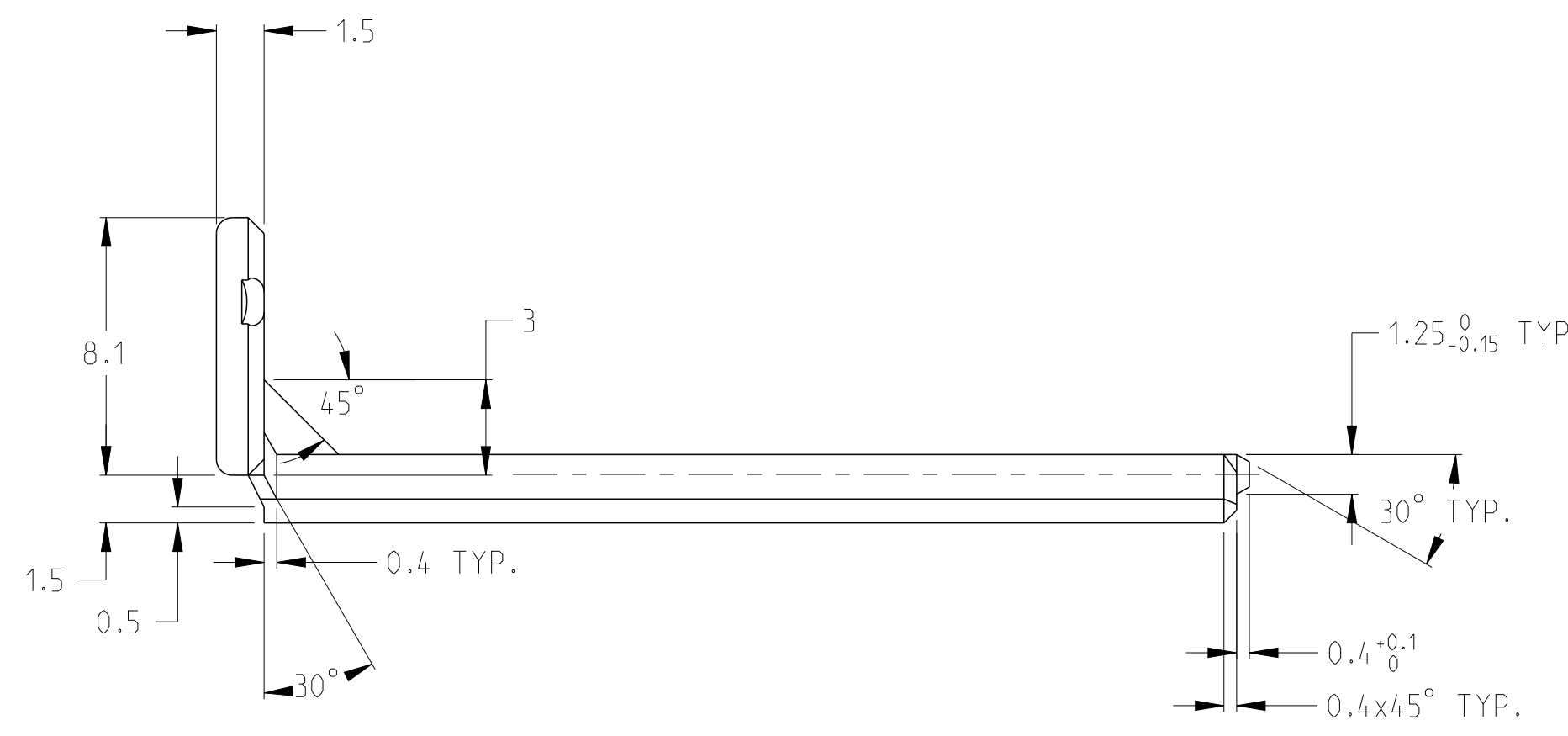
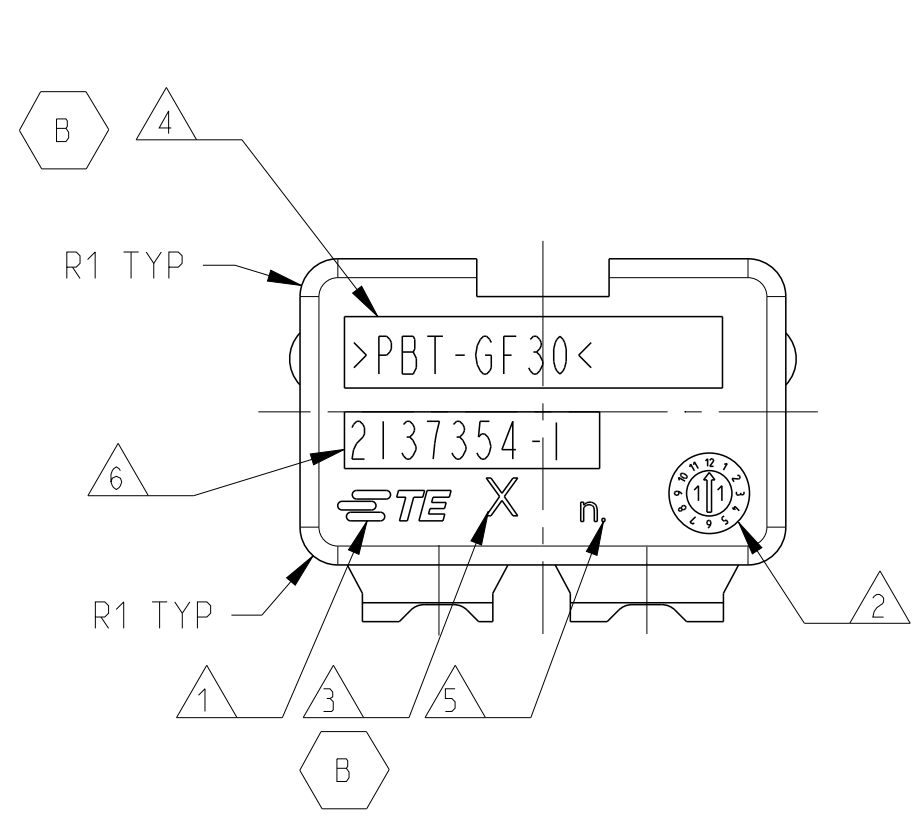


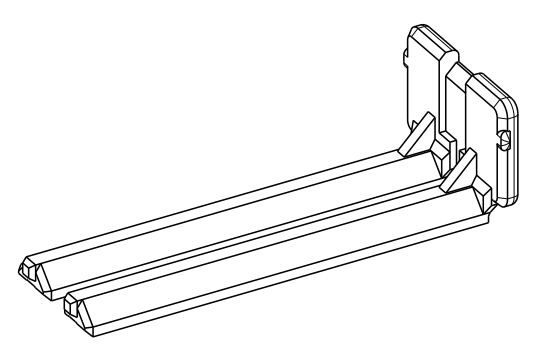
THIS DRAWING IS UNPUBLISHED. RELEASED FOR PUBLICATION
 © COPYRIGHT copyright_date BY - ALL RIGHTS RESERVED.

REVISIONS				
P	LTR	DESCRIPTION	DATE	APVD
A		RELEASED	-	HX
B		REVISED ECR-17-018364	31OCT2017	Z.L

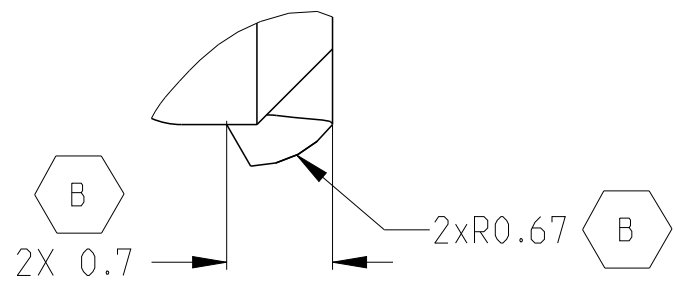


NOTES:

- 1 TE LOGO.
- 2 MAKING DATE.
- 3 PART REVISION, ACTUAL STATUS ACC. TO TABLE.
- 4 MATERIAL-MARKING
- 5 CAVITY MARK.
- 6 TE PART NUMBER.
- 7 WARPAGE MAX. 2mm ALLOWED



2:1



DETAIL Z
SCALE 20:1

THIS DRAWING IS A CONTROLLED DOCUMENT.		DWN H.XU 04SEP12	B GREY 2137354-1 0.748g		1
DIMENSIONS: mm		CHK Z.ZHOU 15NOV12	PART REV. COLOUR TE P/N WEIGHT		ITEM NO.
TOLERANCES UNLESS OTHERWISE SPECIFIED:		APVD W.YUAN 15NOV12	DESCRIPTION		RESTRICTED TO
0. PLC ± ±0.2	1. PLC ± ±	NAME	STE TE Connectivity		
2. PLC ± ±	3. PLC ± ±	PRODUCT SPEC	SECONDARY LOCKING DEVICE FOR AMP-MCP 2.8mm TAB HOUSING, 18POS		
4. PLC ± ±	ANGLES ± ±	APPLICATION SPEC	SIZE	CAGE CODE	DRAWING NO
FINISH		114-101014	A2	00779	©=2137354
MATERIAL PBT-GF30		WEIGHT 0.748g	SCALE	SHEET	REV
		CUSTOMER DRAWING	5:1	1 OF 1	B