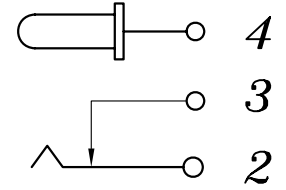
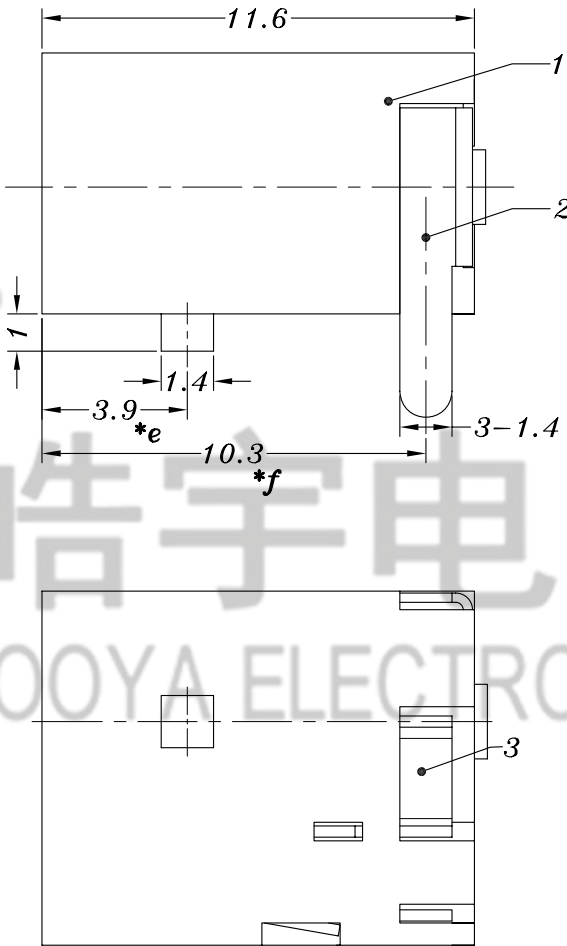
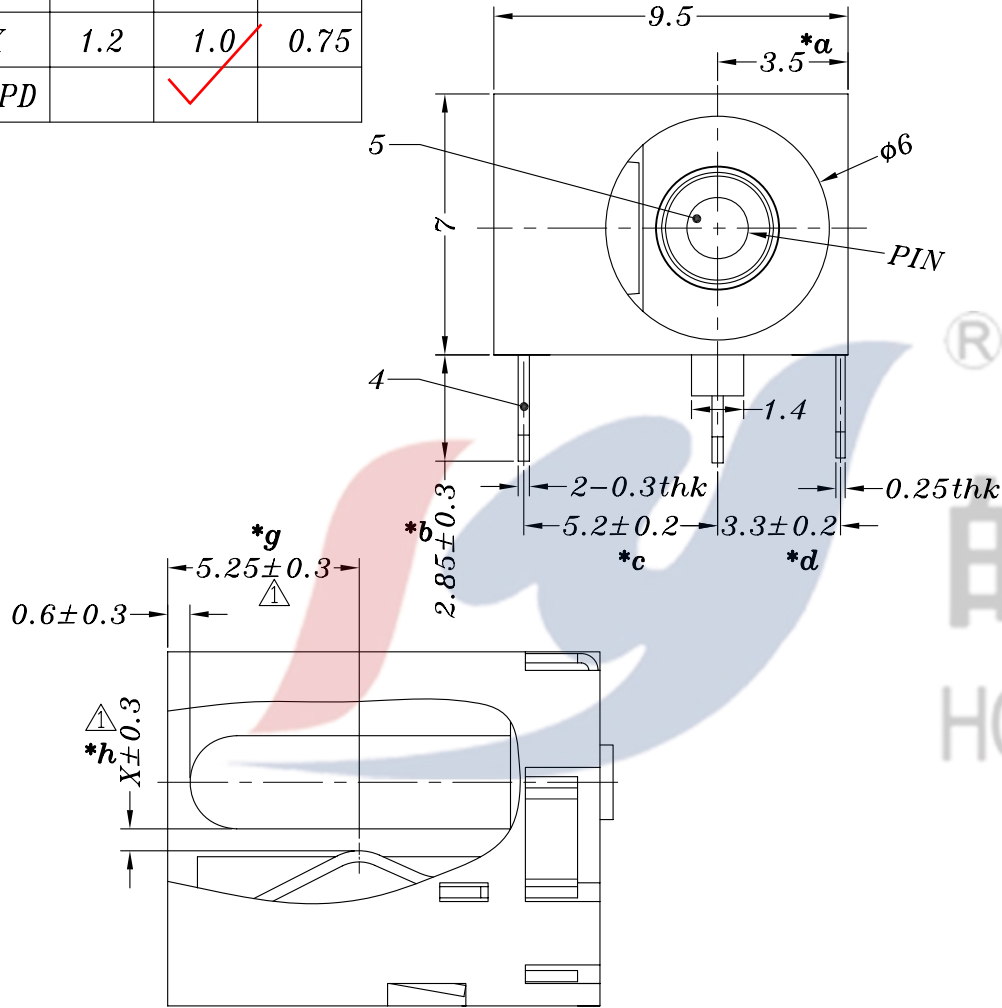
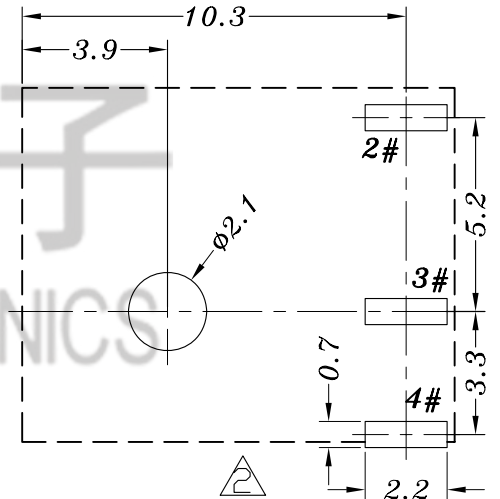


PIN	φ1.65	φ2	φ2.5
X	1.2	1.0	0.75
APPD		✓	



SCHEMATIC



P.C.B LAYOUT

PU: 弹片磷铜材质

NO.	PART NAME	MATERIAL	QTY	FINISHING	TOLERANCE UNLESS SPECIFIED		A2	2020.07.15	更新PCB板开孔图尺寸标注	GYW		
					UP TO 5mm: ±0.1	ANGULAR ±1°					A1	2018.10.10
5	DC044 PING	BRASS	1	Ni PLATED	ABOVE 5mm: ±0.2		A0	2013.8.27	初版	liu		
4	DC044 2#SPRING	SUS/PBS	1	Ag PLATED			NO	DATE	REVISIONS	BY APPD		
3	DC044 3#CURVE PIECE	BRASS	1	Ag PLATED			TITLE:DC JACK		UNIT : MM	ROHS COMPLIANT	DWN	
2	DC044 4#FLAT PIECE	BRASS	1	Ag PLATED			MODEL:DC-044 2.0-PU		SCALE: 5:1	CHK'D		
1	DC044 CASE	PBT/PA9T	1	BLACK			HAOYU(HONGKONG)LIMITED 皓宇(香港)有限公司			APPD		
										PRO.AGL:		REV :A2