

	<h3>特性 FEATURES</h3> <table border="0"> <tr> <td>结构紧凑, 重量轻</td> <td>Small size, light weight</td> </tr> <tr> <td>85°C时额定电流可达 20A</td> <td>Switching capacity up to 20A (At 85°C)</td> </tr> <tr> <td>较高的耐热能力</td> <td>High heat resistance</td> </tr> <tr> <td>外形尺寸: 15.25×12.25×13.6mm</td> <td>Outline dimensions: 15.25×12.25×13.6mm</td> </tr> </table>	结构紧凑, 重量轻	Small size, light weight	85°C时额定电流可达 20A	Switching capacity up to 20A (At 85°C)	较高的耐热能力	High heat resistance	外形尺寸: 15.25×12.25×13.6mm	Outline dimensions: 15.25×12.25×13.6mm
结构紧凑, 重量轻	Small size, light weight								
85°C时额定电流可达 20A	Switching capacity up to 20A (At 85°C)								
较高的耐热能力	High heat resistance								
外形尺寸: 15.25×12.25×13.6mm	Outline dimensions: 15.25×12.25×13.6mm								

触点参数 CONTACT PARAMETERS

触点形式 Contact Arrangement	1A、1B、1C
触点材料 Contact Material	银合金 Silver Alloy
接触压降 Voltage Drop (初始 Initial)	NO: 典型值 Typ. 100mV, 最大值 Max. 300mV (at 10A)
	NC: 典型值 Typ. 100mV, 最大值 Max. 300mV (at 10A)
最大连续电流 Maximum continuous current	NO: 20A
	NC: 15A
最大切换电压 Max. Switching Voltage	30VDC
电气寿命 Electrical Life	1×10 ⁵ 次 OPS
机械寿命 Mechanical Life	1×10 ⁶ 次 OPS

性能参数 CHARACTERISTICS

绝缘电阻 Insulation Resistance	100MΩ (500VDC)
介质耐压 Dielectric Strength	触点与线圈间 Between Coil & Contacts: 500VAC 1min
	断开触点间 Between Open Contacts: 500VAC 1min
动作时间 Operate Time	≤10ms
释放时间 Release Time	≤5ms
环境温度 Ambient Temperature	-40°C~+85°C
振动 Vibration	10Hz~500Hz, 49m/s ² (5G)
冲击 Shock	98m/s ² (10G)
引出端方式 Terminal Form	印刷电路板引出端 PCB
封装形式 Construction	防尘罩型 Dust Protected, 塑封型 Sealed
重量 Unit Weight	约 Approx. : 6g

线圈规格表 COIL DATA(23°C)

额定电压 Rated Voltage VDC	动作电压 Operate Voltage VDC	释放电压 Release Voltage VDC	线圈电阻 Coil Resistance $\Omega \pm 10\%$	线圈功率 Coil Power W	允许最大允许电压 ¹⁾ Max Allowable Overdrive Voltage VDC	
					20°C	85°C
6	≤3.6	≥0.5	60	约 Approx.0.6	7.8	6.9
9	≤5.4	≥0.7	135		11.7	10.35
12	≤7.3	≥1.0	240		15.6	13.8
18	≤10.8	≥1.5	540		23.4	20.7
6	≤3.6	≥0.5	45	约 Approx.0.8	7.8	6.9
9	≤5.4	≥0.7	100		11.7	10.35
12	≤7.3	≥1.0	180		15.6	13.8
18	≤10.8	≥1.6	405		23.4	20.7
24	≤14.4	≥2.2	720		31.2	27.6

注意：1) 触点无负载电流、线圈电阻为最小值情况下，继电器线圈允许施加的最大连续工作电压。

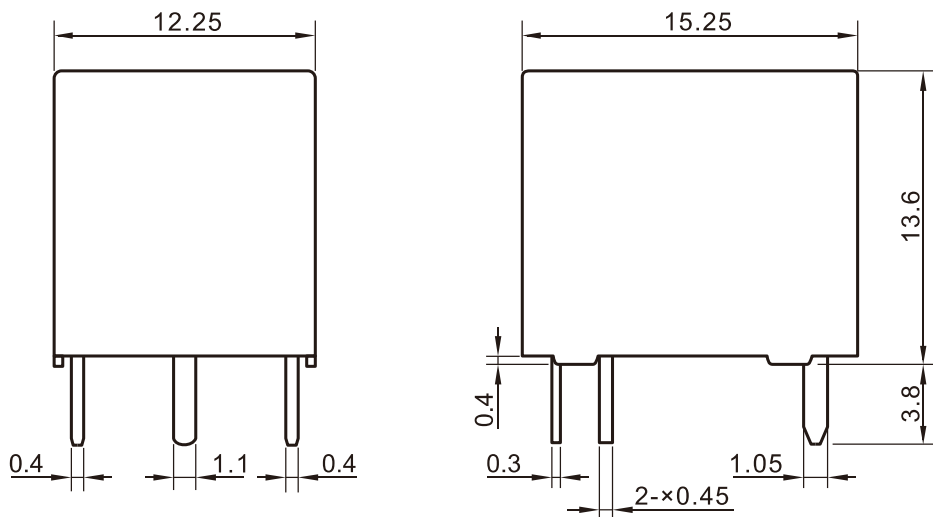
1) Max. Allowable overdrive voltage is stated with no load applied minimum coil resistance.

订货标记示例 ORDERING INFORMATION

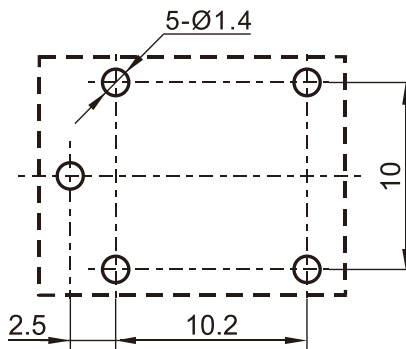
	MAD	-S	-1	12	-C
产品型号 Model:	MAD				
产品结构 Structure:	无: 防尘罩型 Dust Protected S: 塑封型 Sealed				
触点组数 Contact Group:	1: 1组 1 Group				
线圈电压 Coil Voltage:	6、9、12、18、24 VDC				
触点形式 Contact Form:	A: 常开 NO B: 常闭 NC C: 转换 NO/NC				

外形尺寸、接线图、安装孔尺寸 OUTLINE DIMENSIONS, WIRING DIAGRAM AND PCB LAYOUT (单位 Unit: mm)

外形尺寸 Outline Dimensions



安装孔尺寸 PCB Layout (底视 Bottom View)



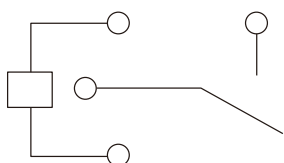
备注: (1) 产品部分外形尺寸未注尺寸公差, 当外形尺寸 ≤ 1 mm, 公差为 ± 0.2 mm; 当外形尺寸在 1~5mm 之间时, 公差为 ± 0.3 mm; 当外形尺寸 > 5 mm 时, 公差为 ± 0.4 mm;

(2) 安装孔尺寸中未注尺寸公差的均为 ± 0.1 mm。

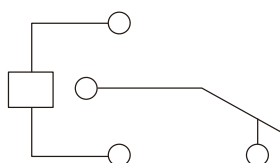
REMARK:

- 1) In case of no tolerance shown in outline dimension: outline dimension ≤ 1 mm, tolerance should be ± 0.2 mm; outline dimension > 1 mm and ≤ 5 mm, tolerance should be ± 0.3 mm; outline dimension > 5 mm, tolerance should be ± 0.4 mm;
- 2) The tolerance without indicating for PCB layout is always ± 0.1 mm.

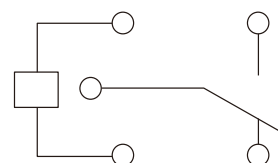
接线图 Wiring Diagram



1A



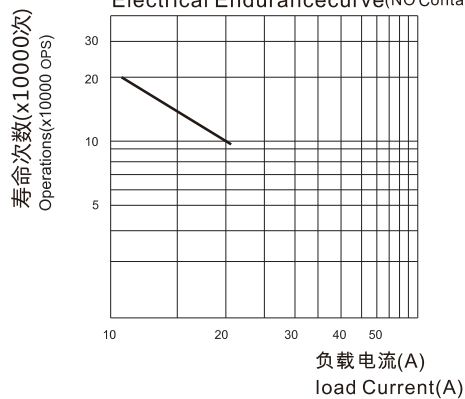
1B



1C

性能曲线图 PERFORMANCE CURVE

电耐久性曲线(常开触点, 23°C)
Electrical Endurance curve(NO Contacts, at 23°C)



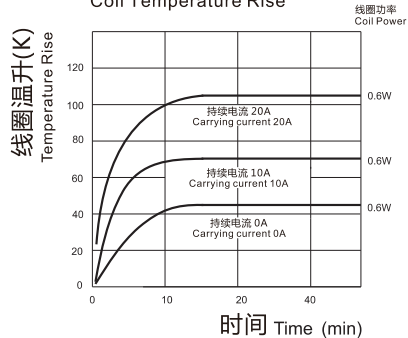
说明:

测试条件 : 2sON, 2s OFF

Test conditions: 2sON, 2s OFF

线圈温升

Coil Temperature Rise



说明:

(1) 最低温度为-40°C

(2) 最高温度为85°C

1)The minimum temperature is-40°C

2)The maximum temperature is- 85°C

声明:

本产品规格书仅供客户使用时参考, 若有更改, 恕不另行通知。

对美硕而言, 不可能评定继电器在每个具体应用领域的所有性能参数要求, 因而客户应该根据具体的使用条件选择与之相匹配的产品, 若有疑问, 请与美硕联系获取更多的技术支持。但产品选型责任仅由客户负责。

浙江美硕电气科技有限公司版权所有, 本公司保留 所有权利

This product specification for client's reference, if any change without notice.

For Meishuo, can not require evaluation of relays in each specific application of all the performance parameters, so customers should be selected according to the matching conditions for the use of specific products, if you have any questions, please contact us and get more technical support. However, product selection responsibility only by the customer.

All rights reserved, Zhejiang, the United States and the United States, the company reserves all rights.